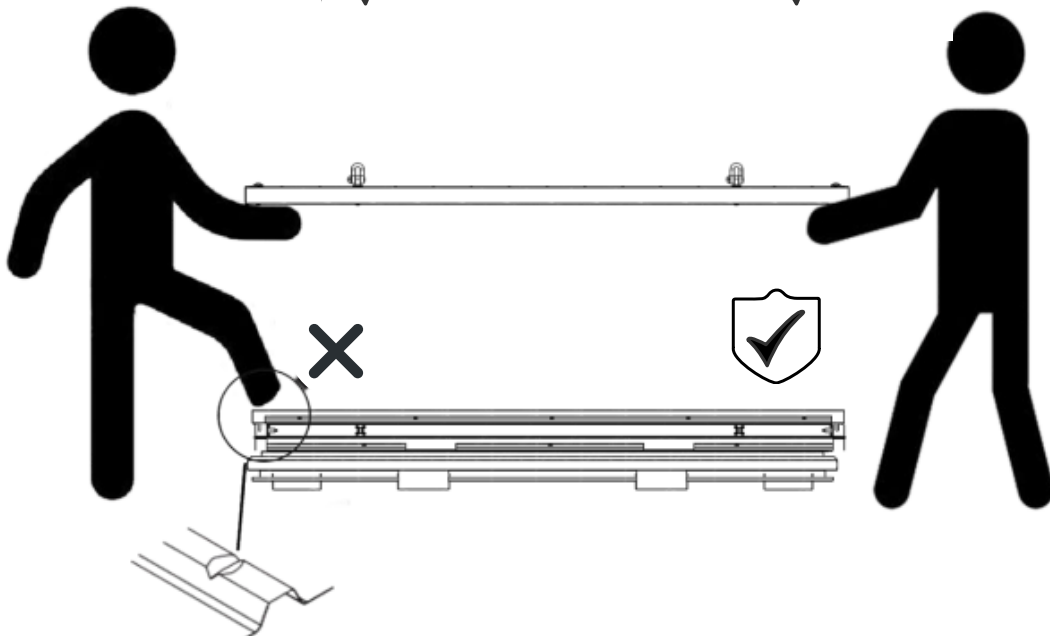
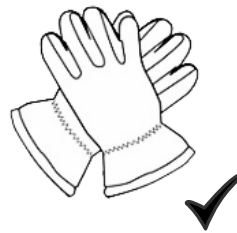


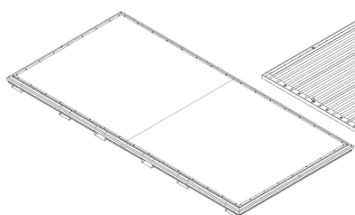
PRODUCT CODE: 40.110.420.320

**prefabase**  
Quick Build Solutions

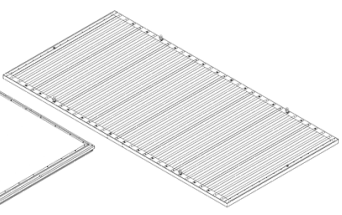
Instructions and User Guide



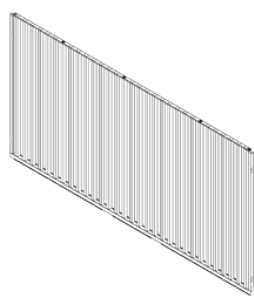
40.0110  
1x



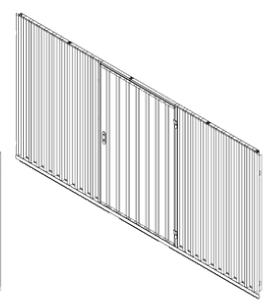
40.0510  
1x



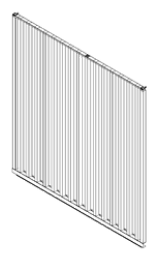
40.0410  
1x



40.0420  
1x



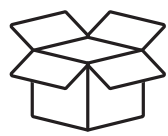
0310  
1x



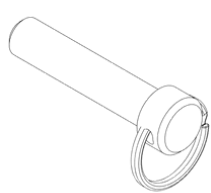
0320  
1x



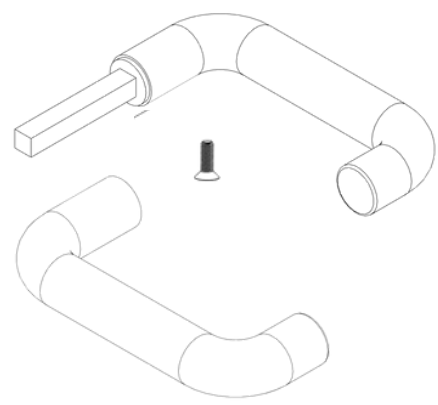
61.101  
4x



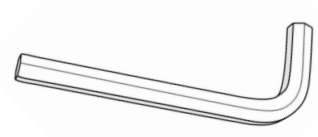
12x



2x



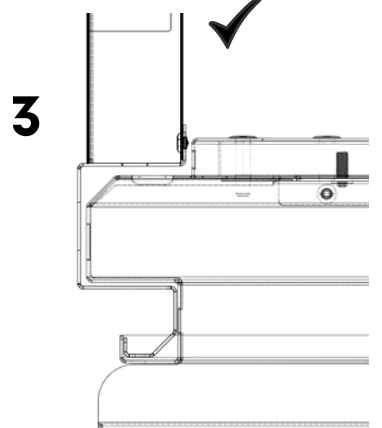
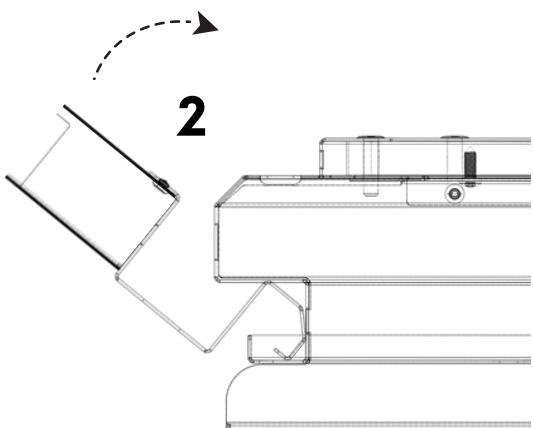
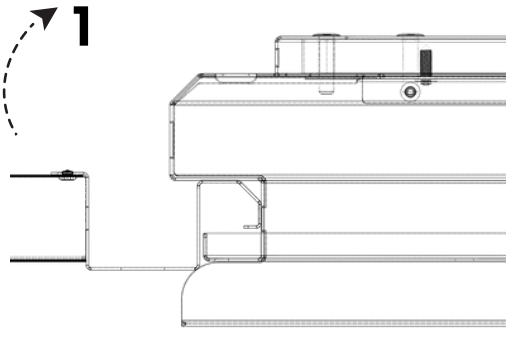
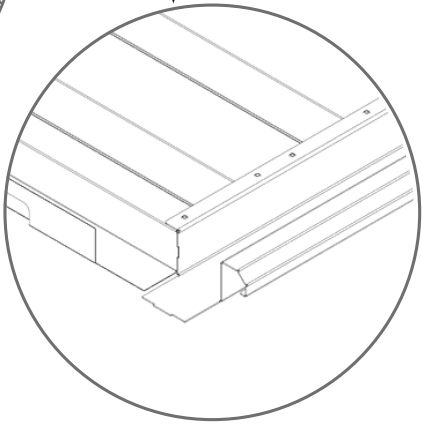
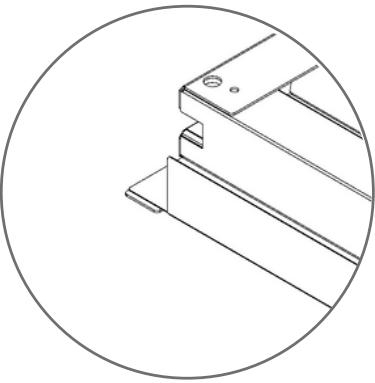
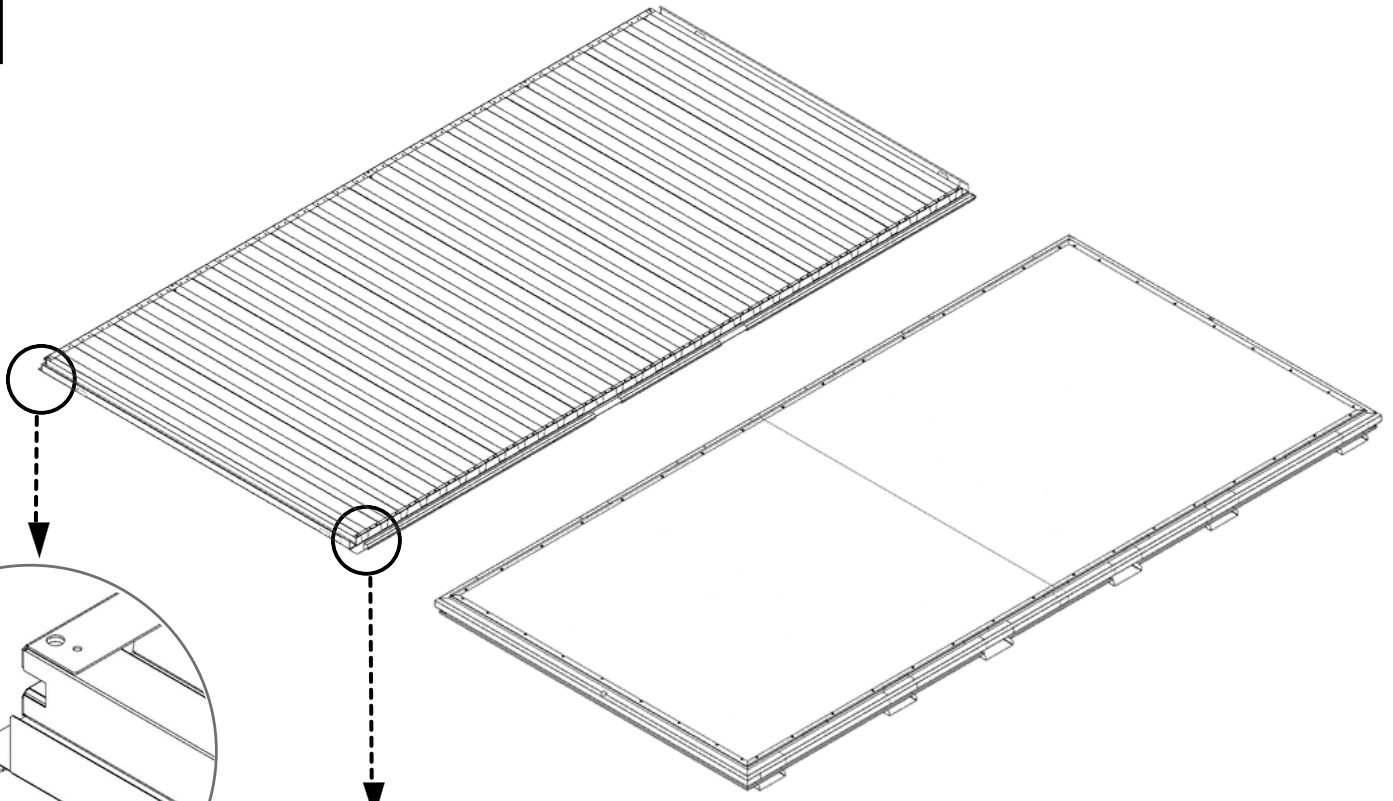
1x



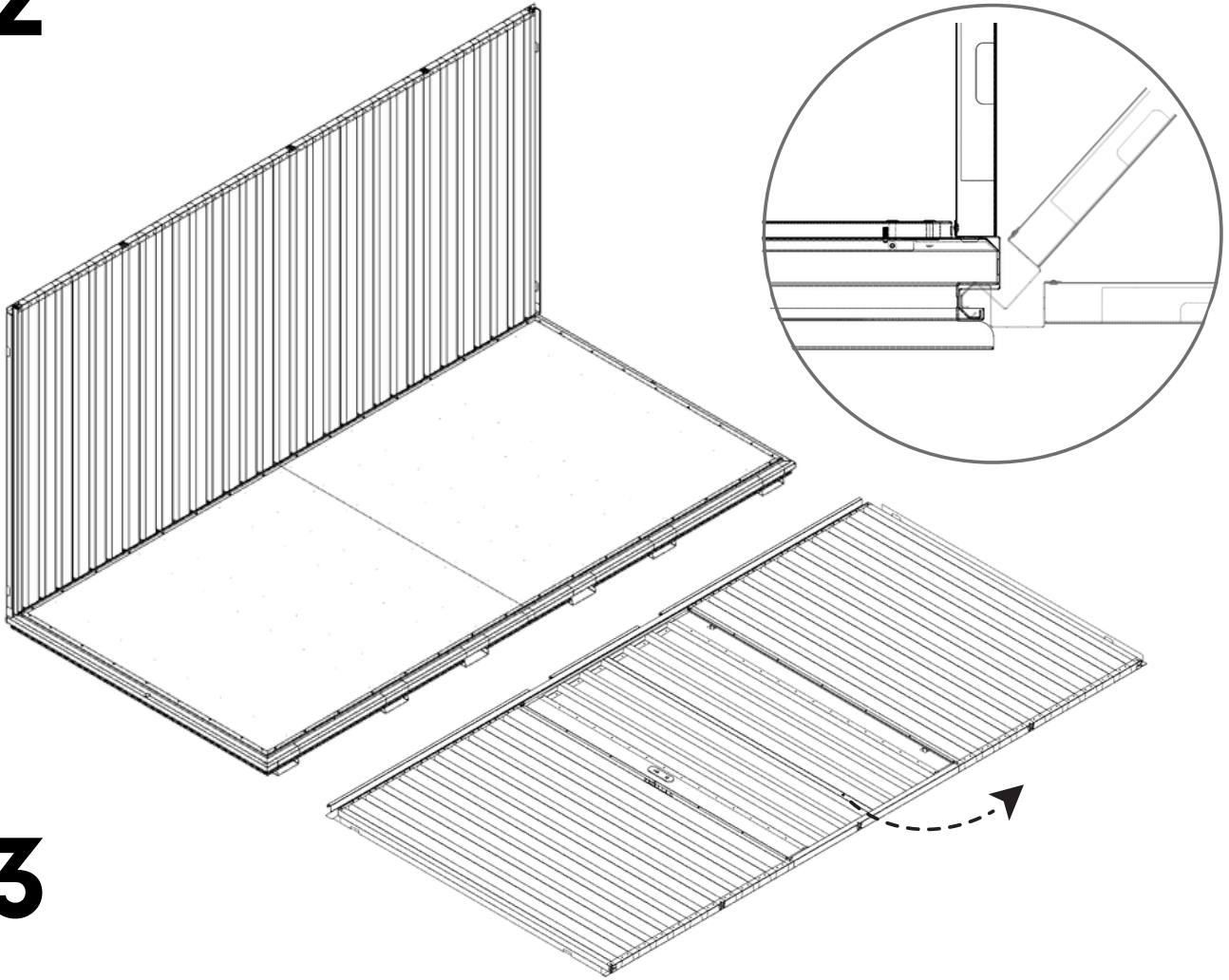
2x



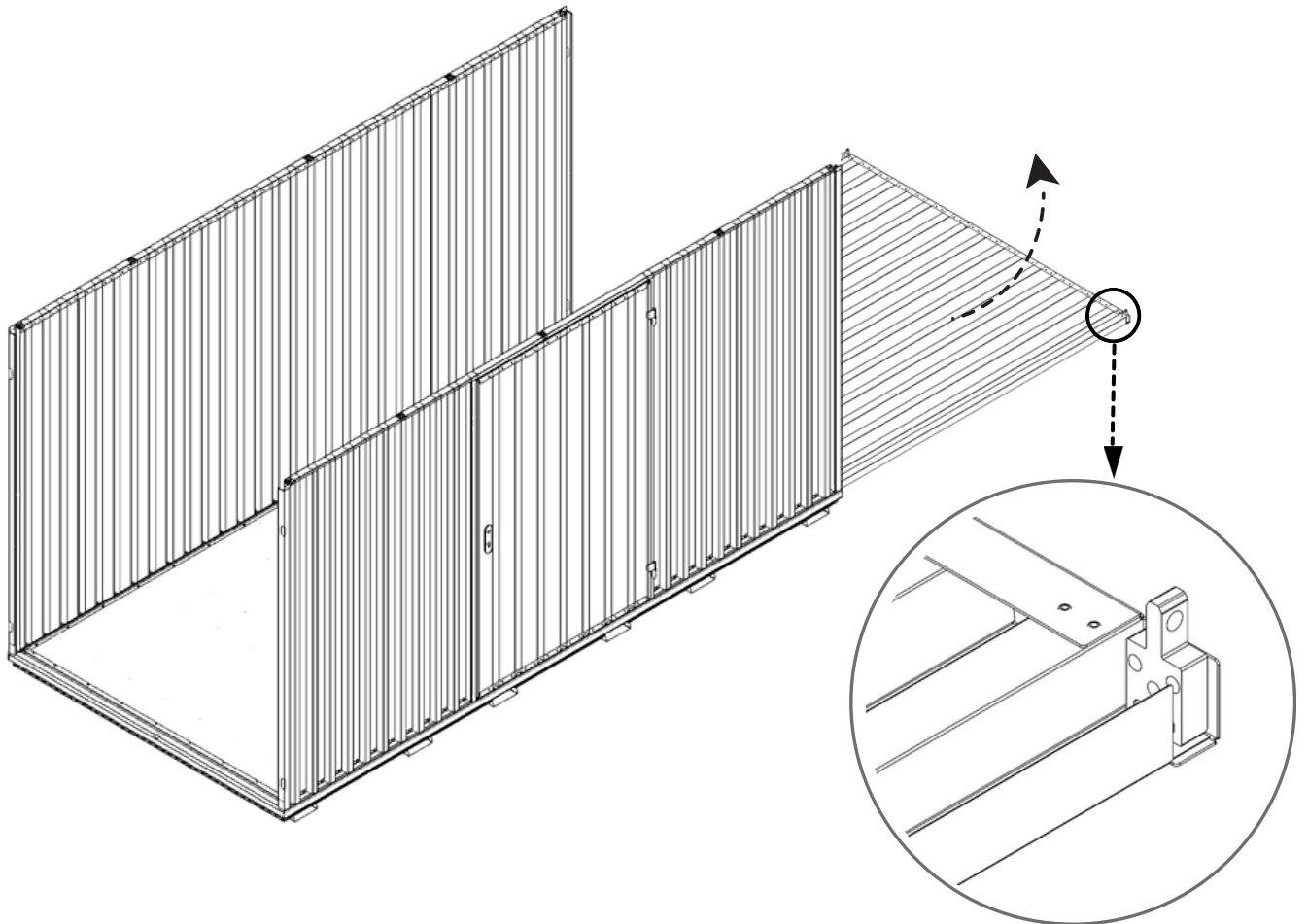
**1**



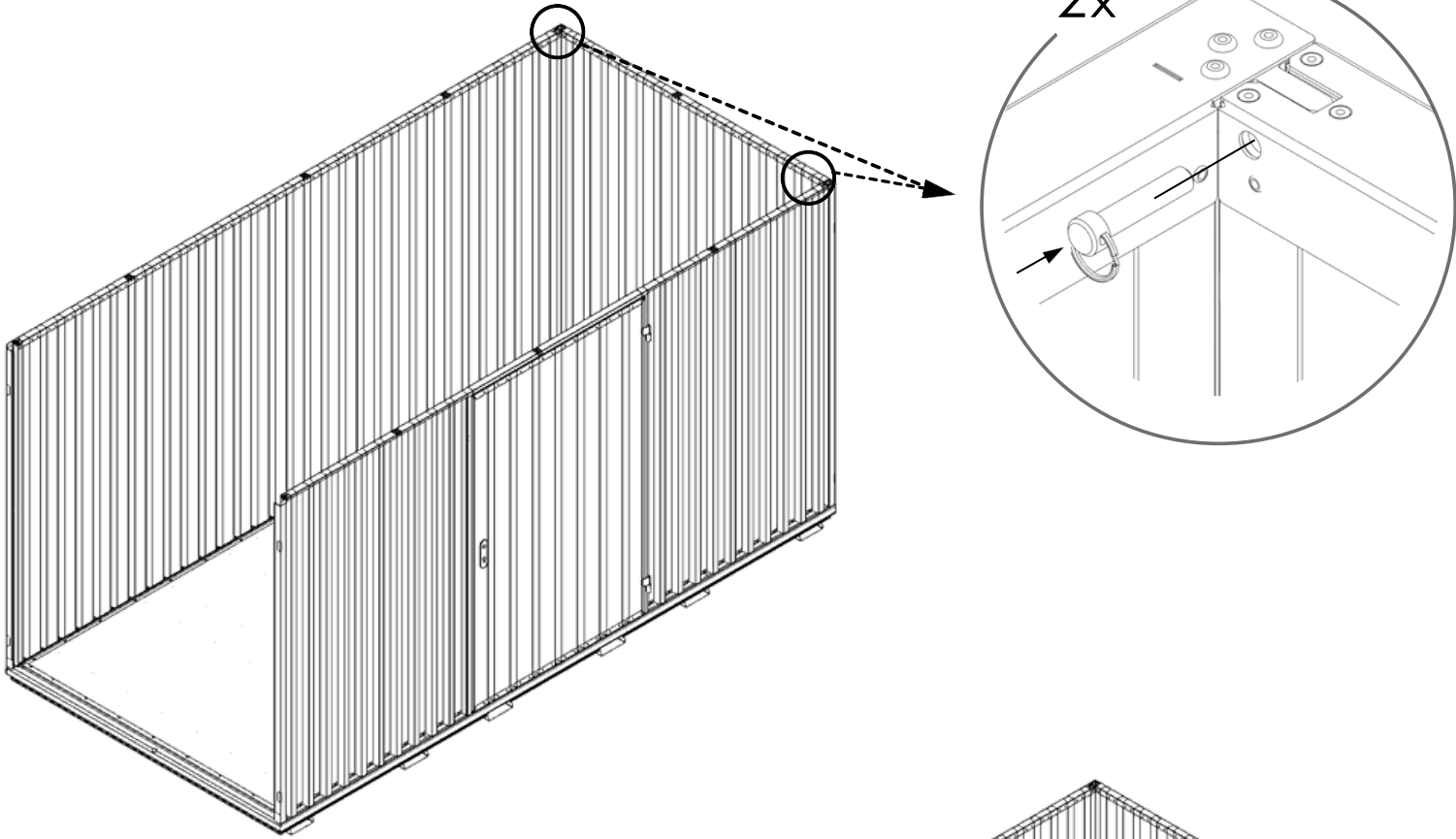
**2**



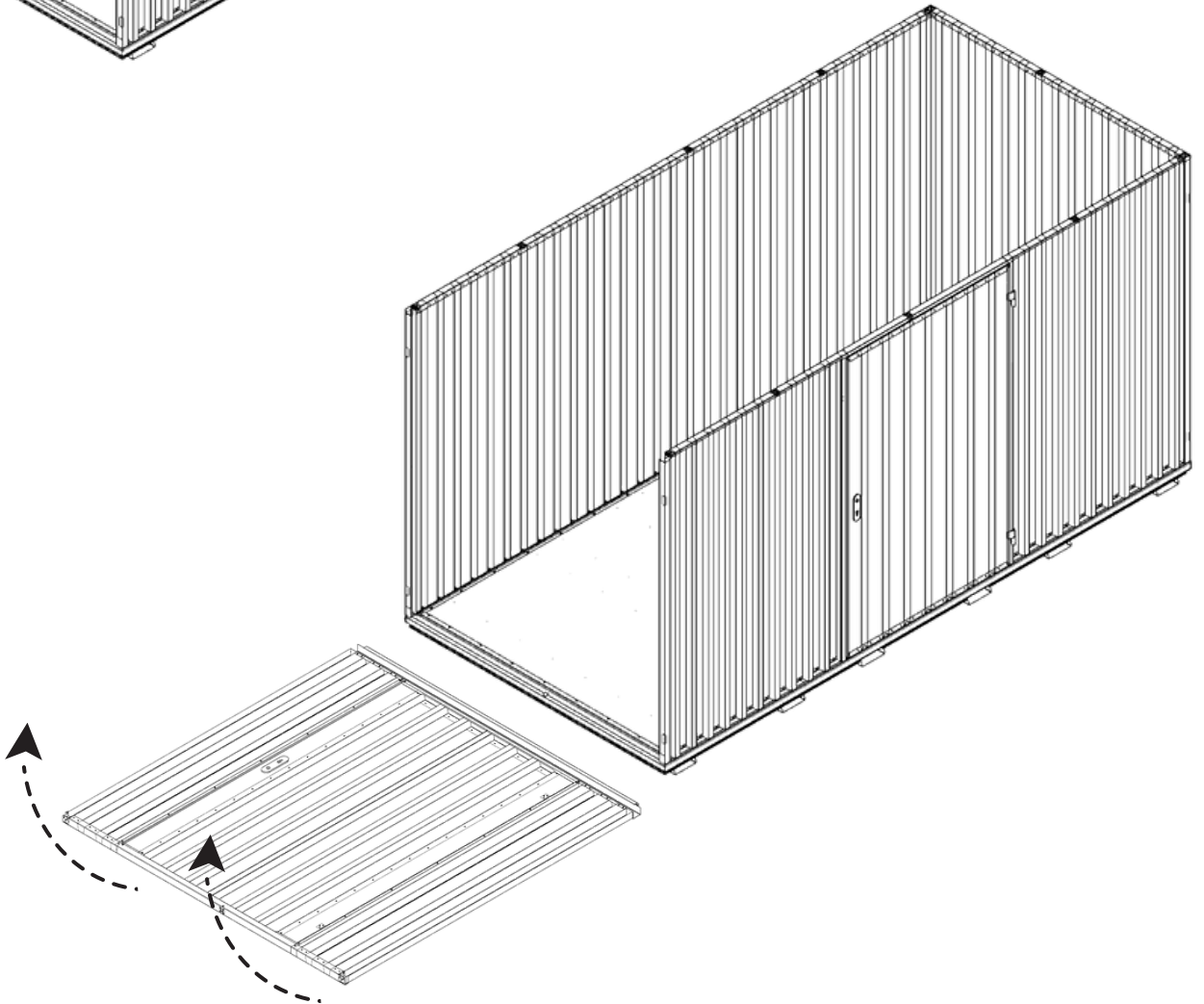
**3**



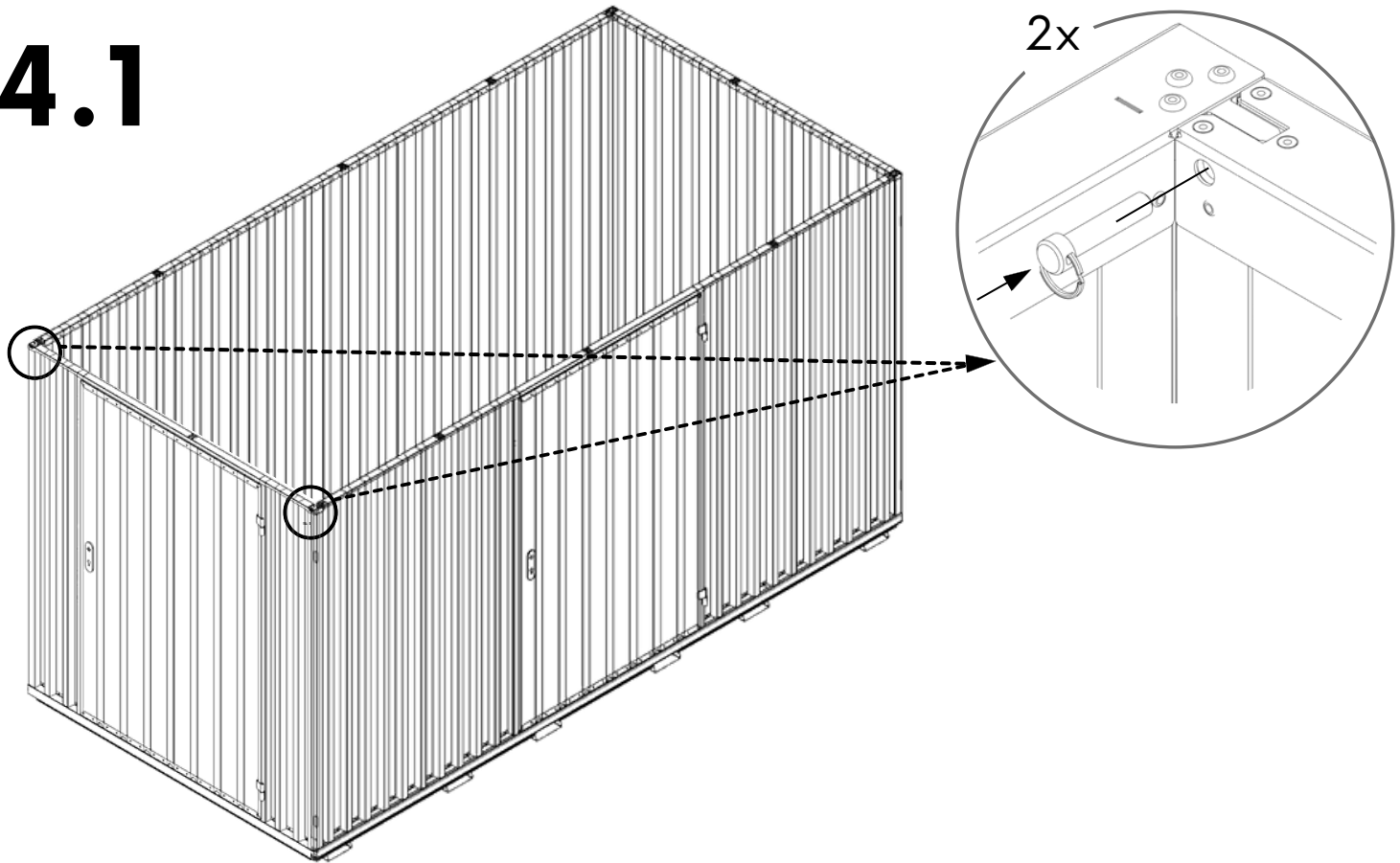
# 3.1



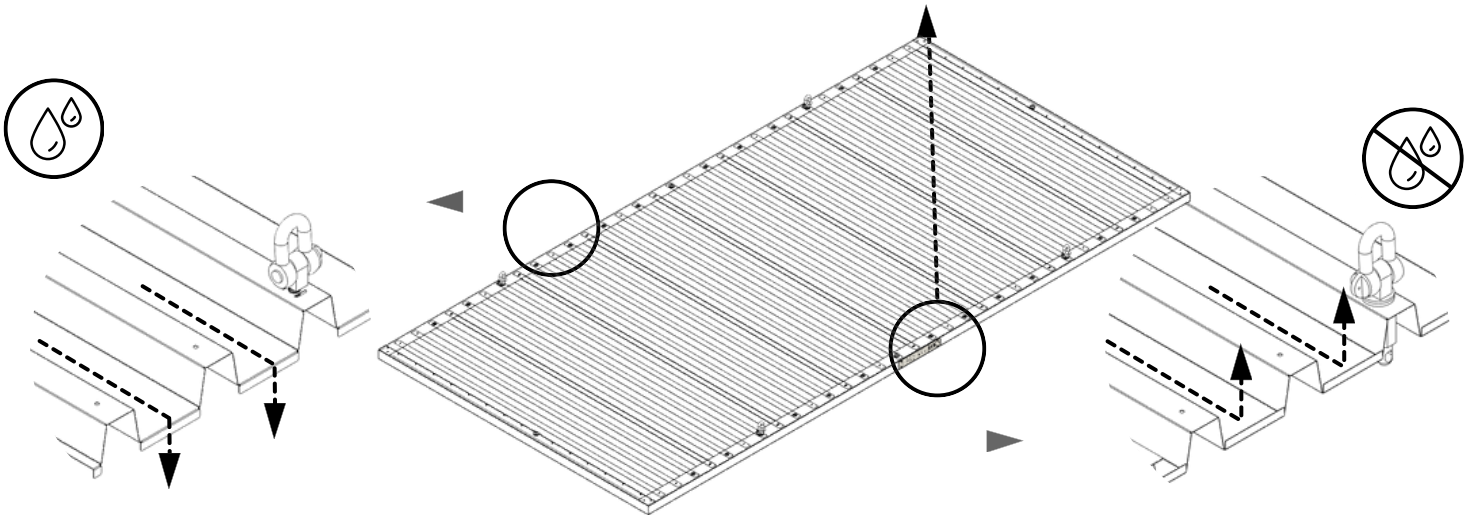
# 4



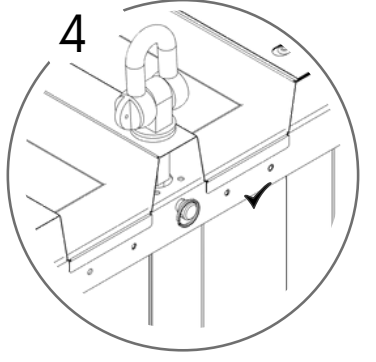
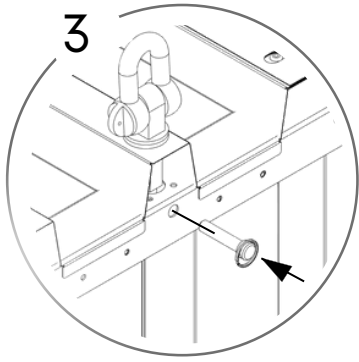
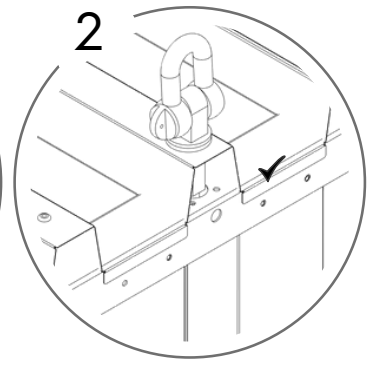
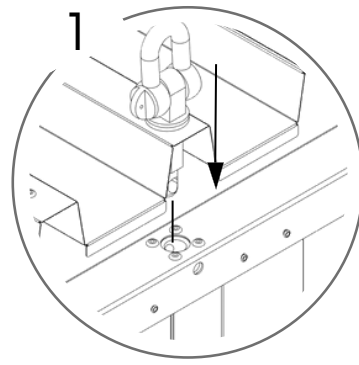
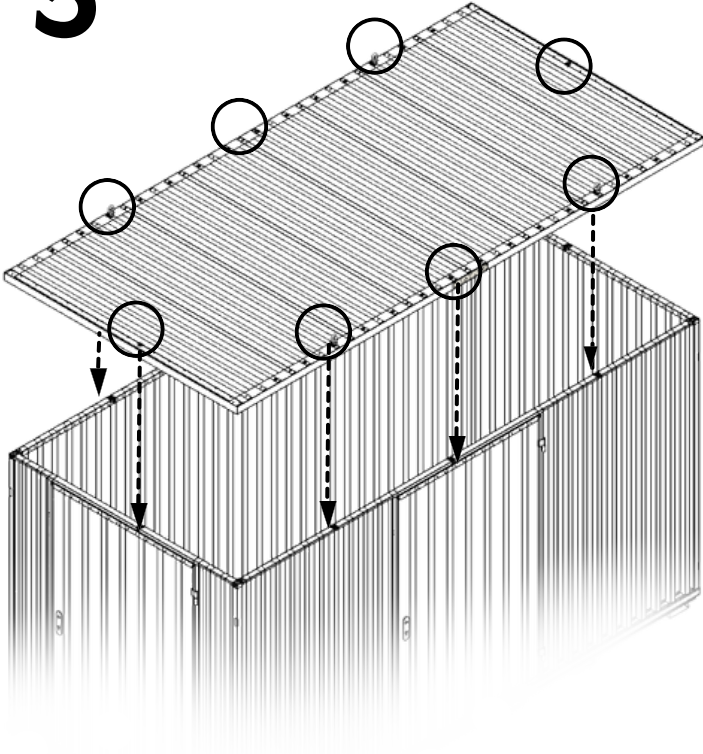
# 4.1



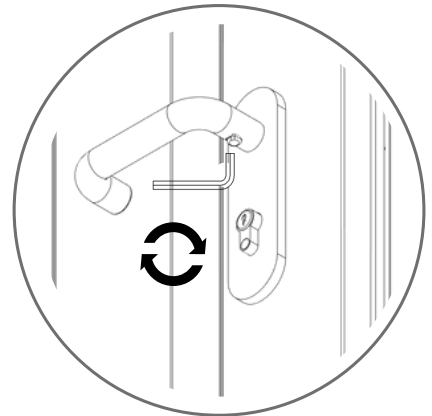
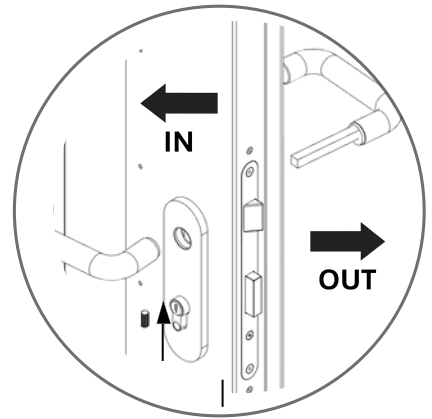
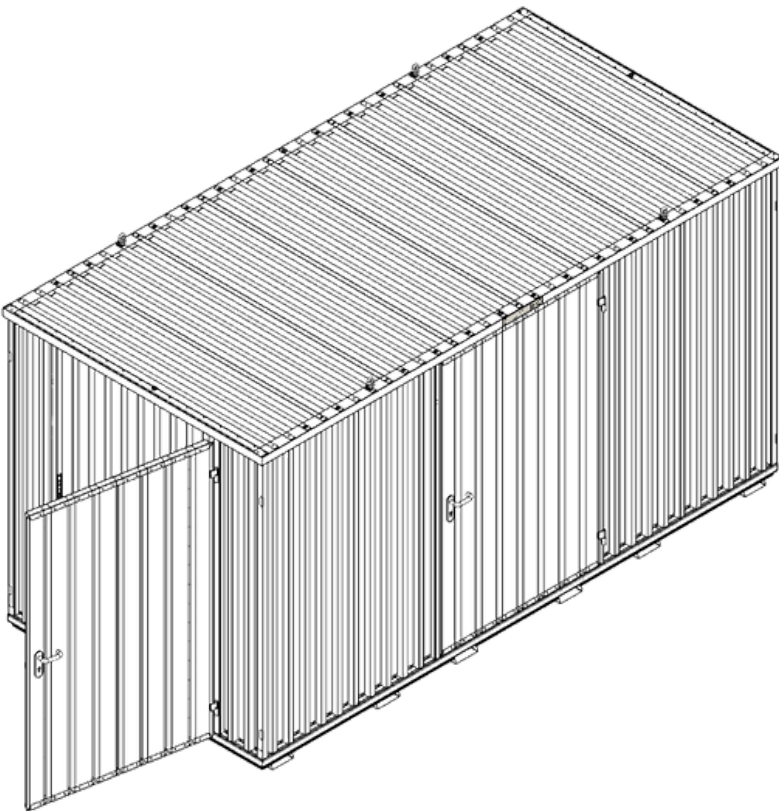
 449 KG	 1640 MM	Model Code: 40.110.420.320 Production Tracking Code: ...../X09.1.40.420.320  9001 14001 50001		
------------	-------------	---	--	--



# 5



# 6



7

