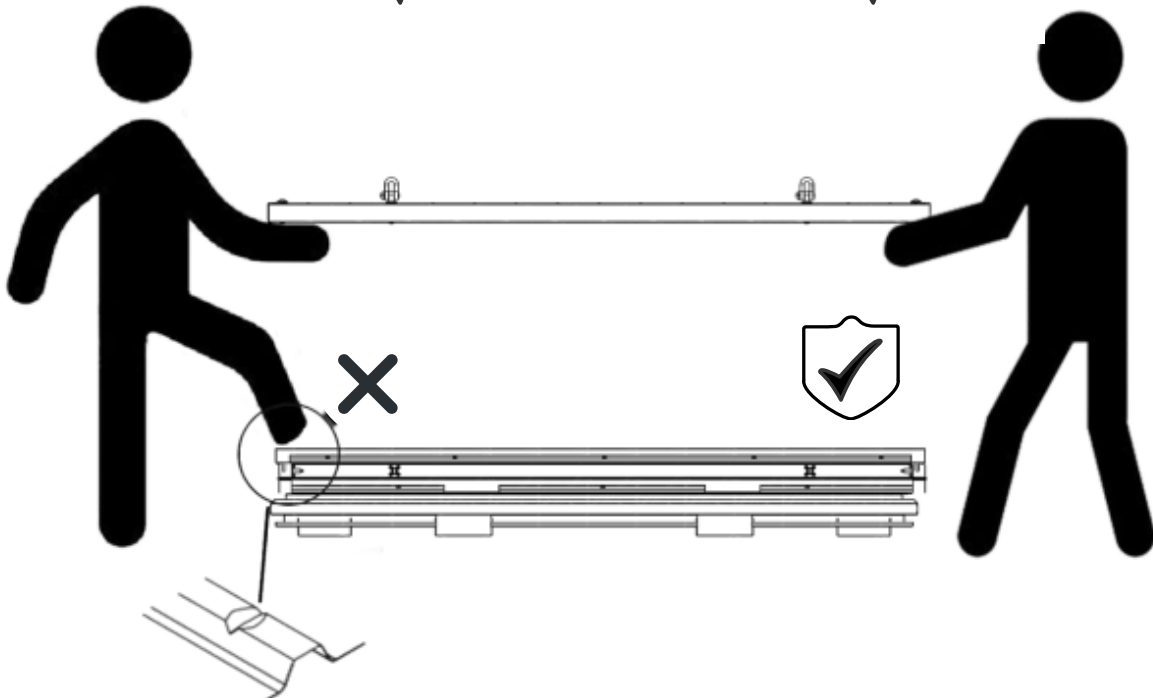
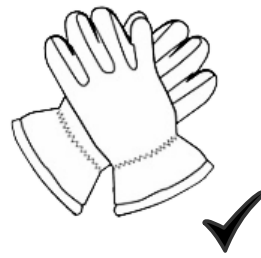


PRODUCT CODE:404.110.450

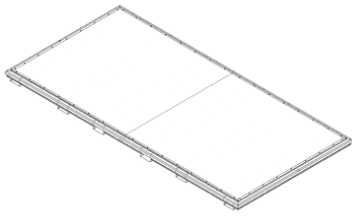
prefabase
Quick Build Solutions

Instructions and User Guide



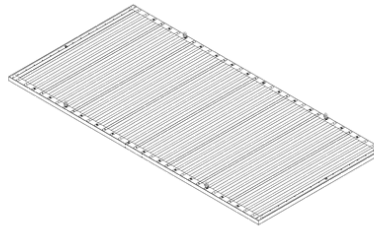
40.0110

2x



40.0510

2x



404.0110

1x



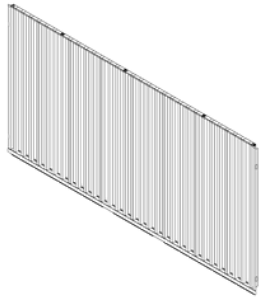
404.0510

1x



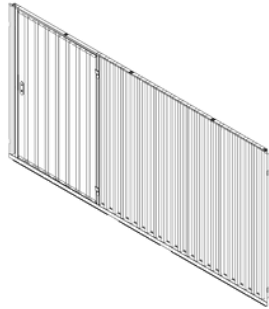
40.0410

1x



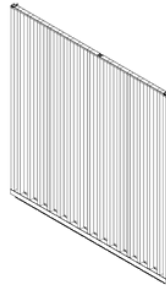
40.0450

1x



0310

4x



305.20.08

2x



305.20.09

2x

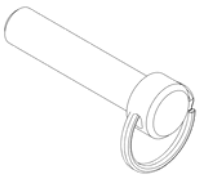


61.101

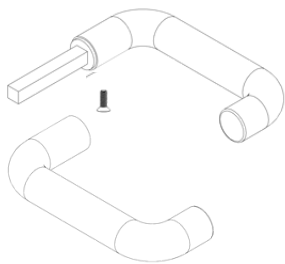
4x



24x



1x



10x



10x



10x



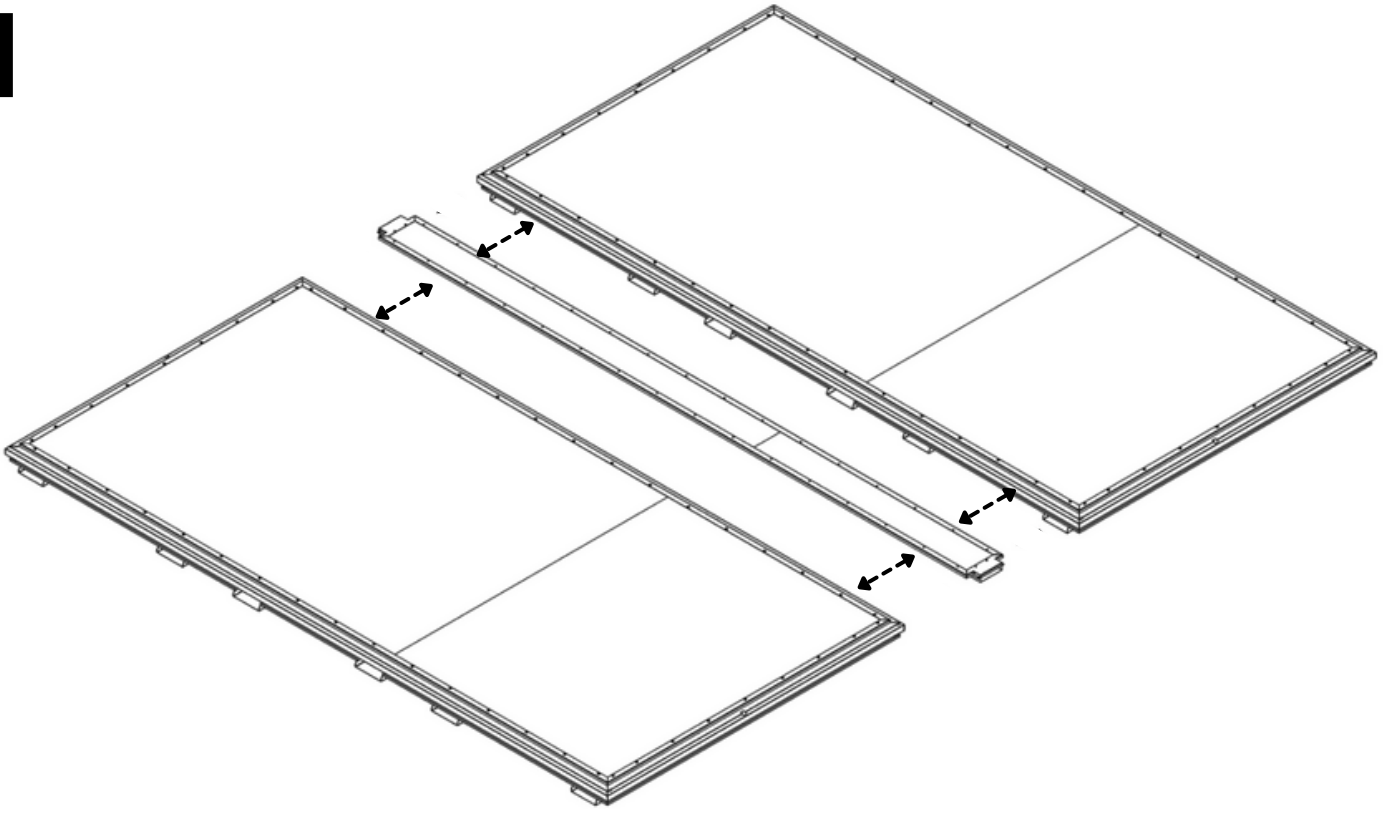
1x



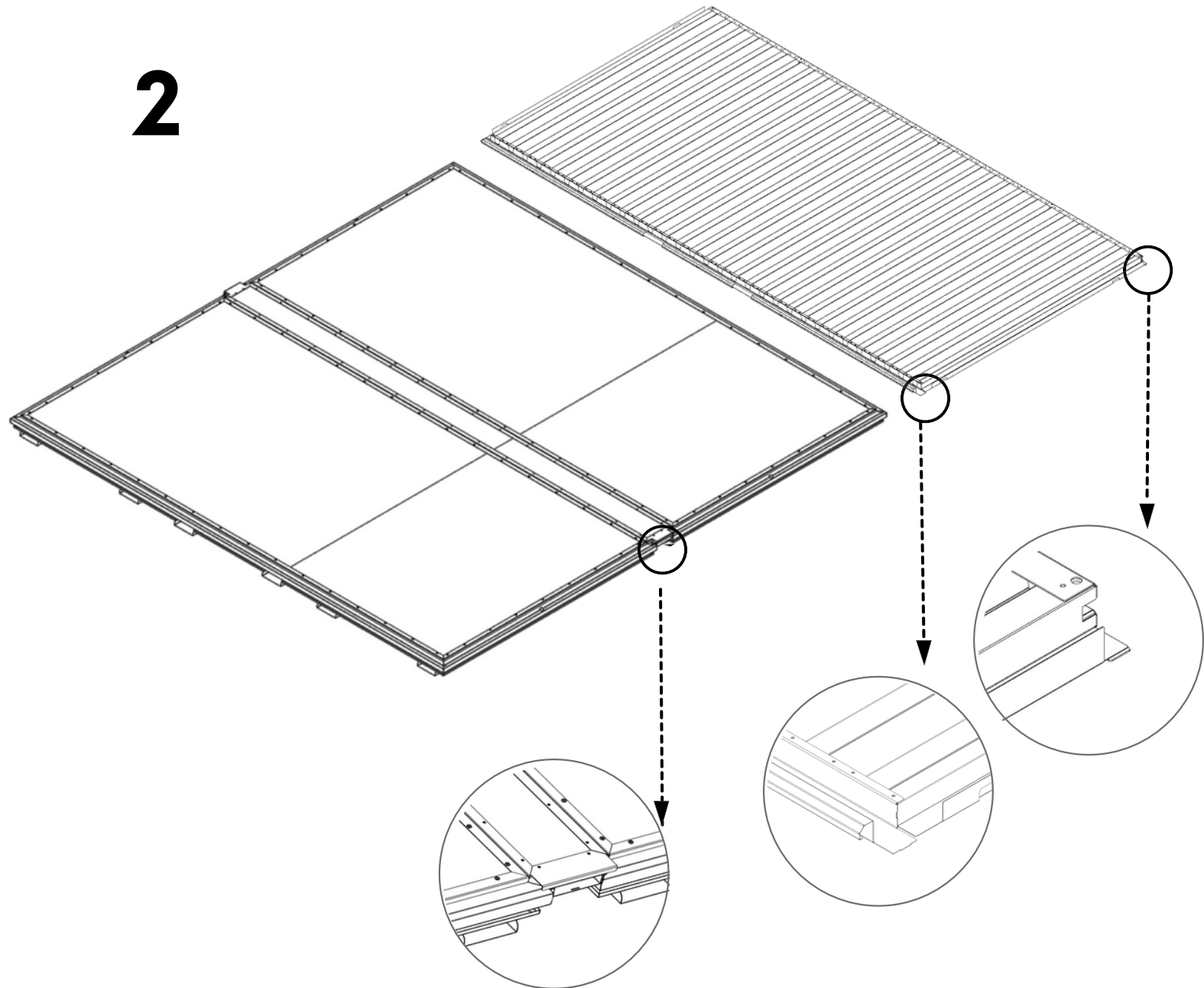
1x

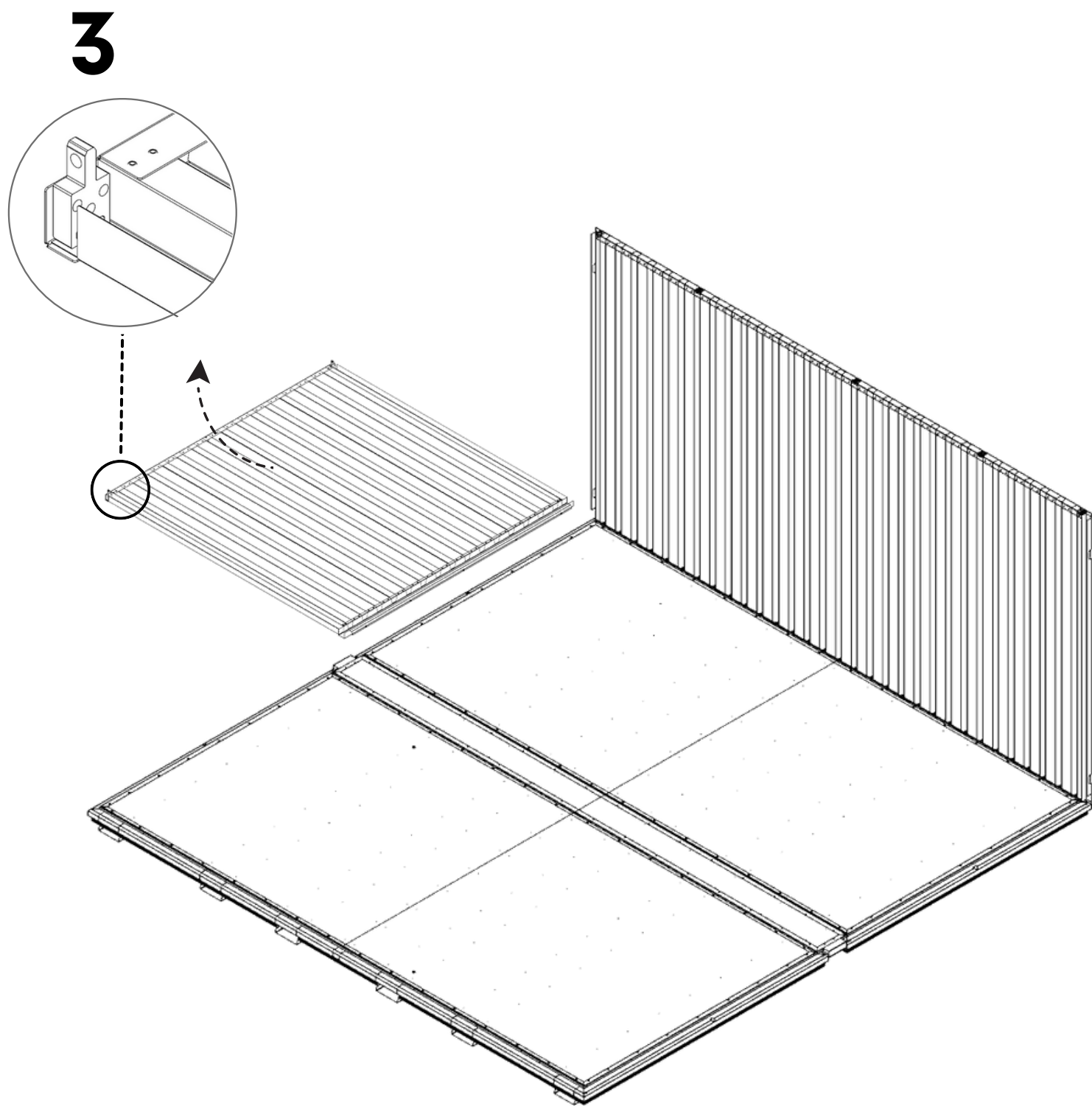
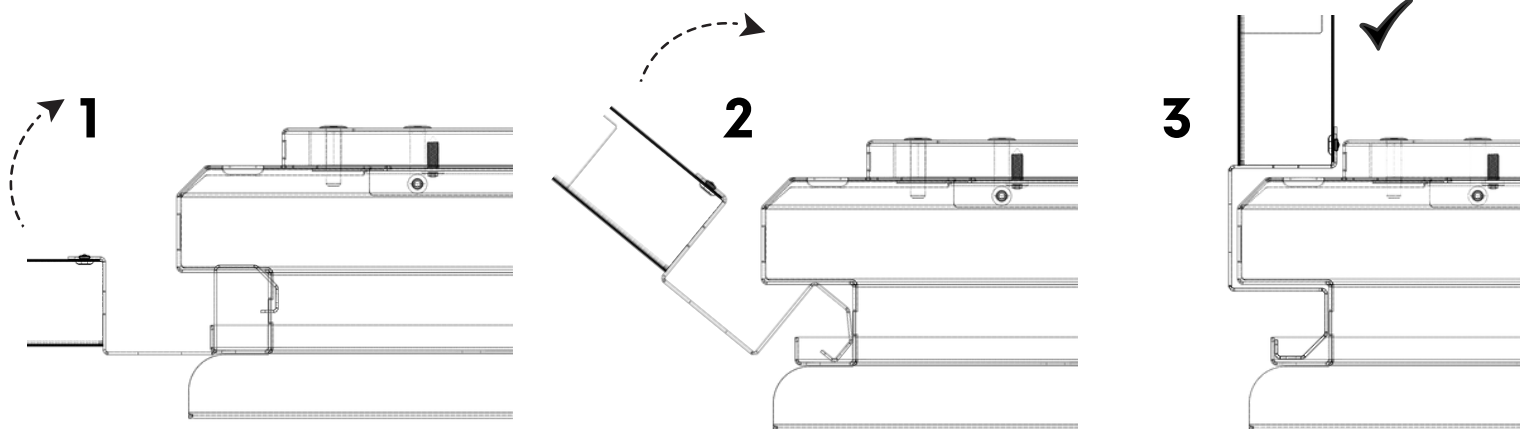


1

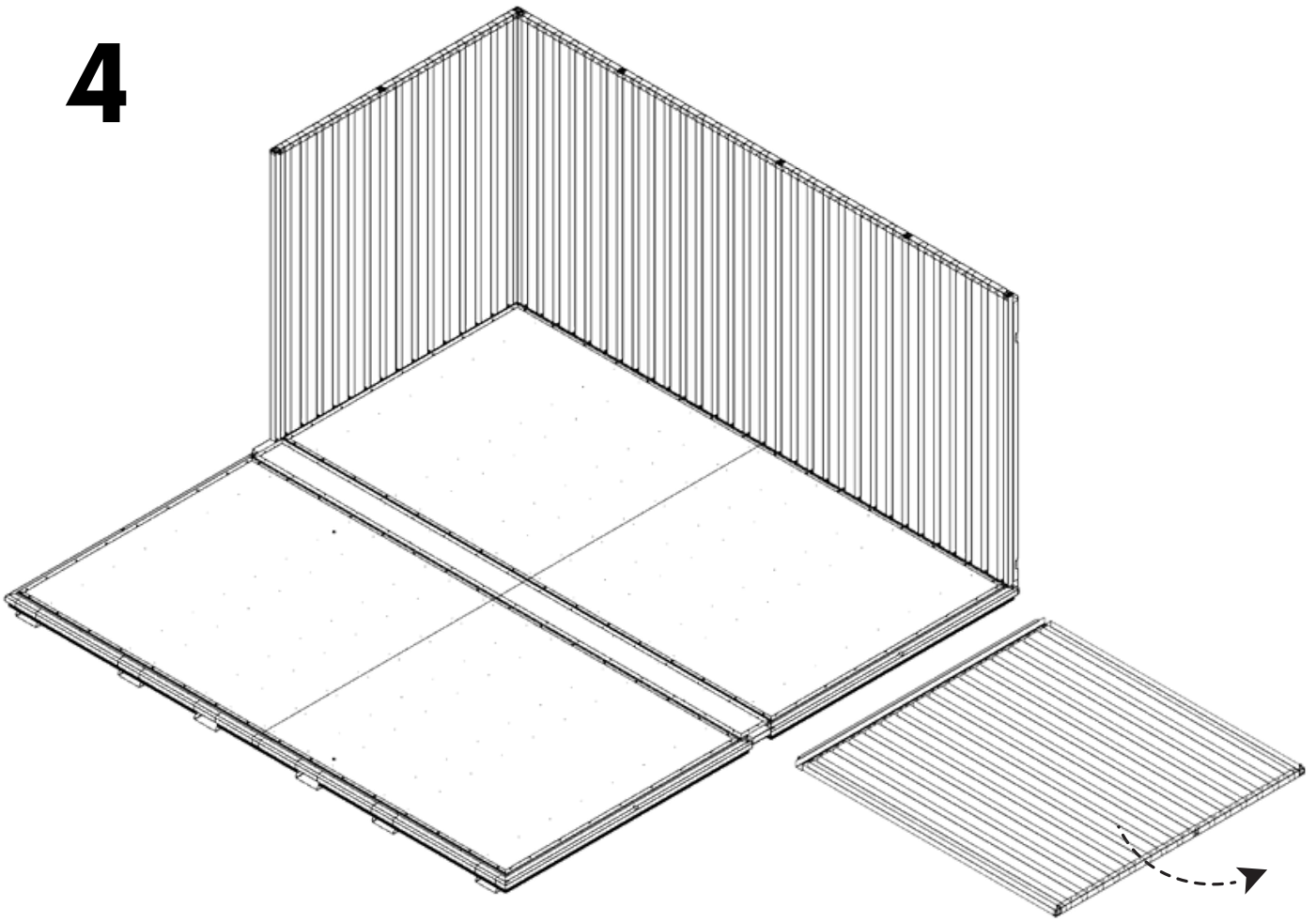


2

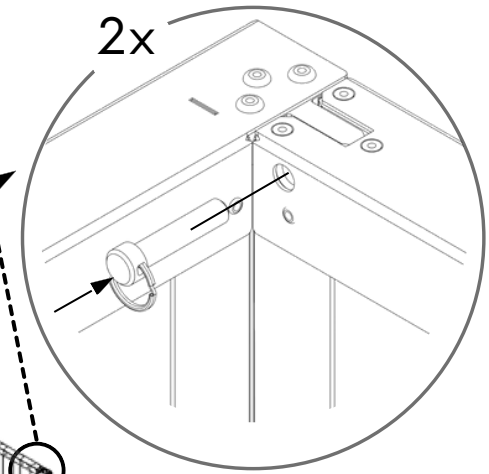
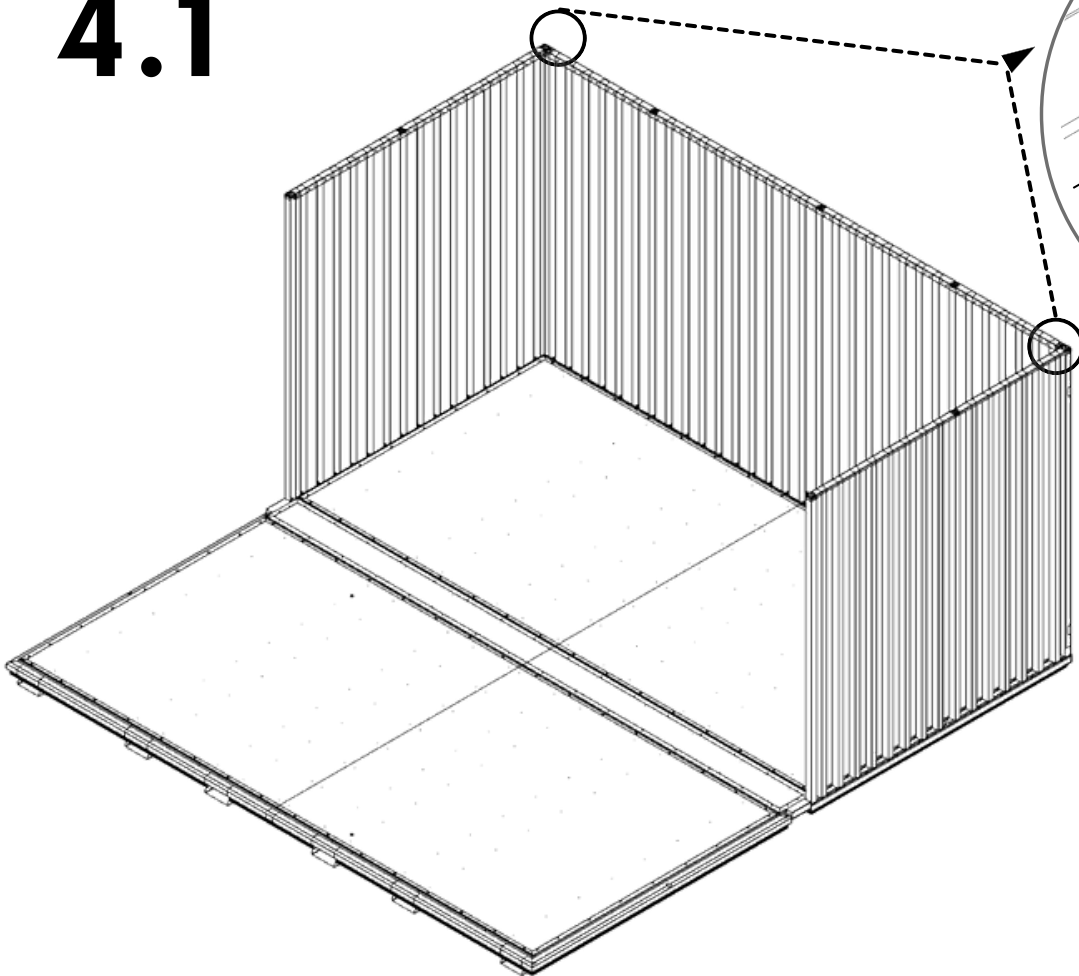




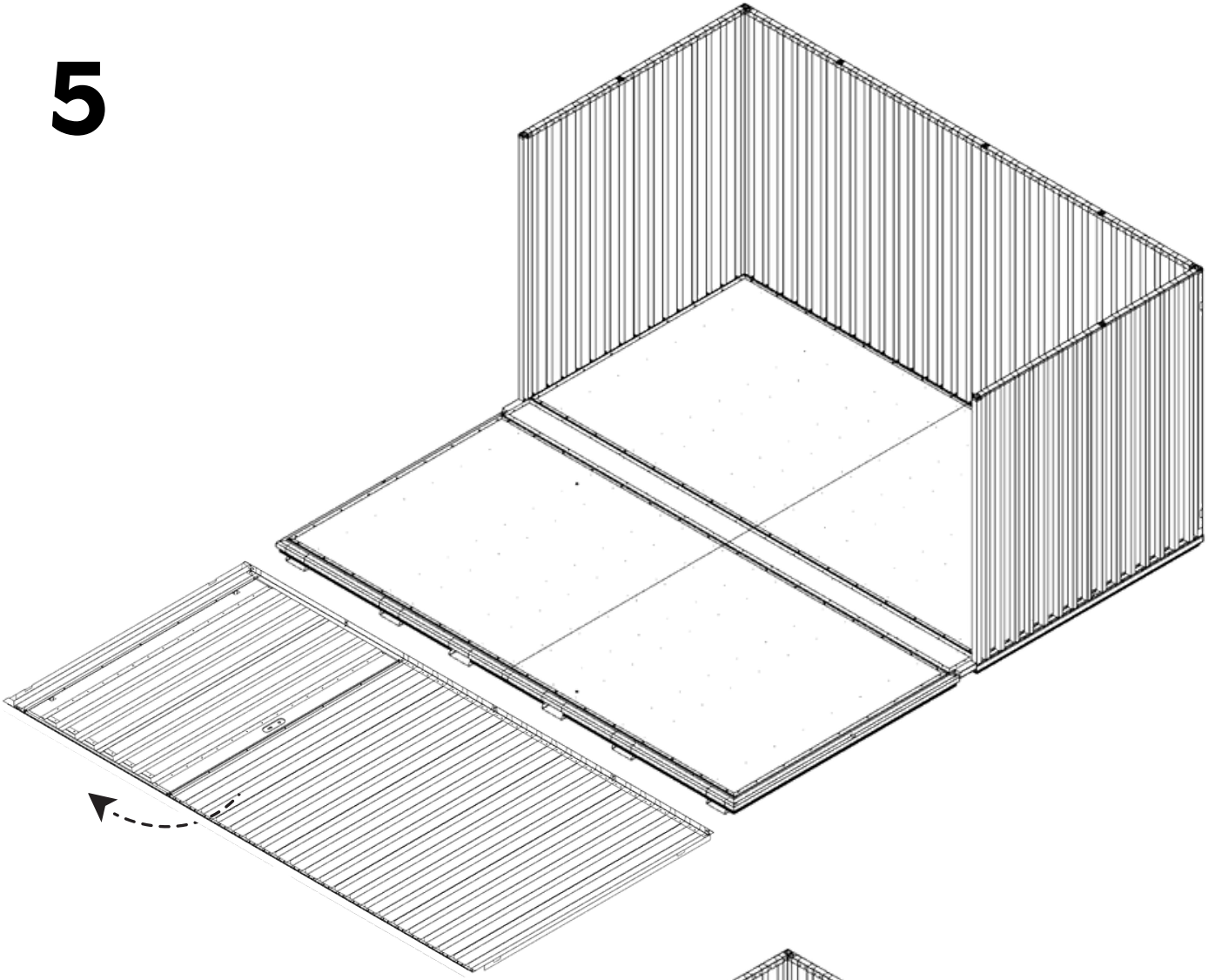
4



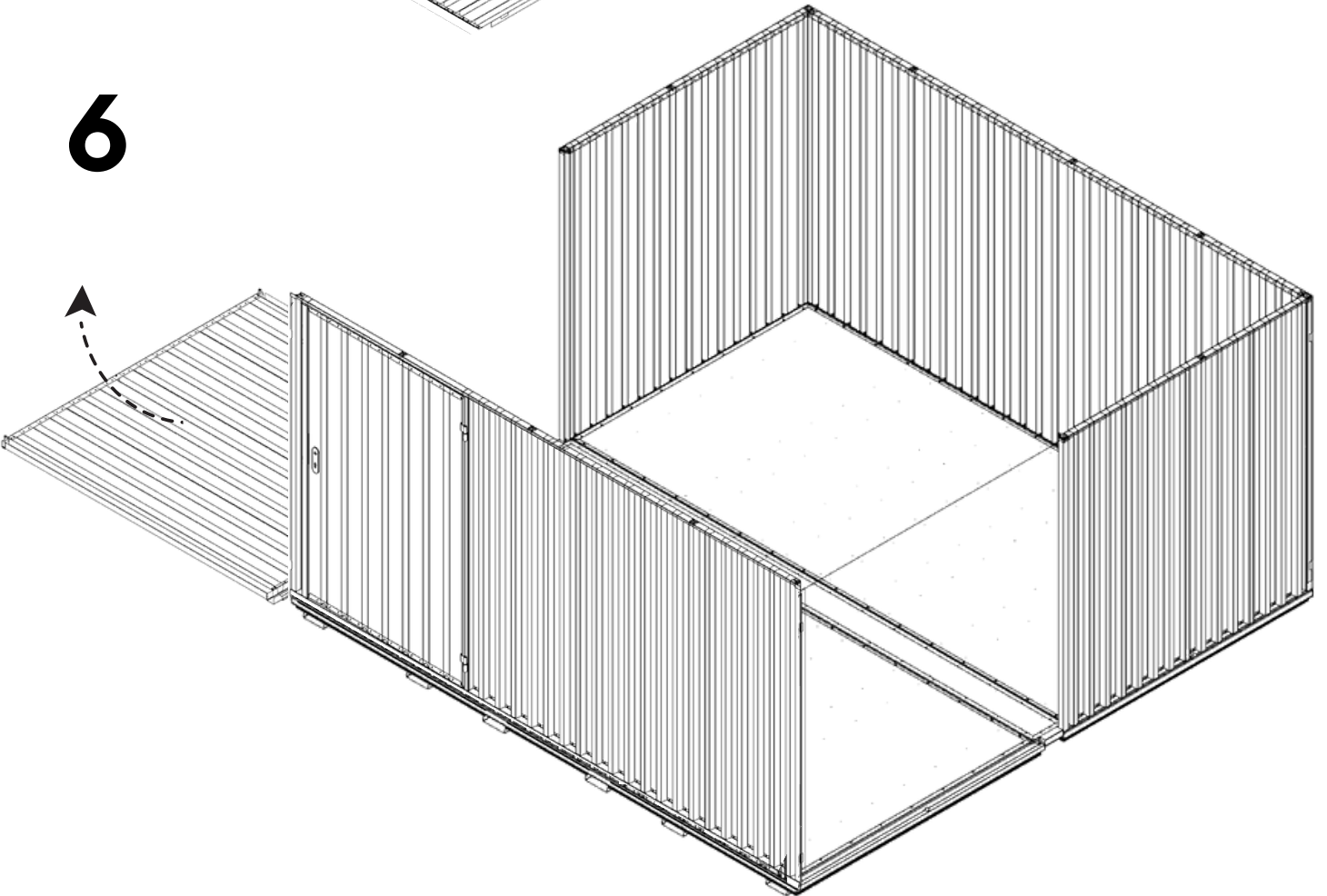
4.1



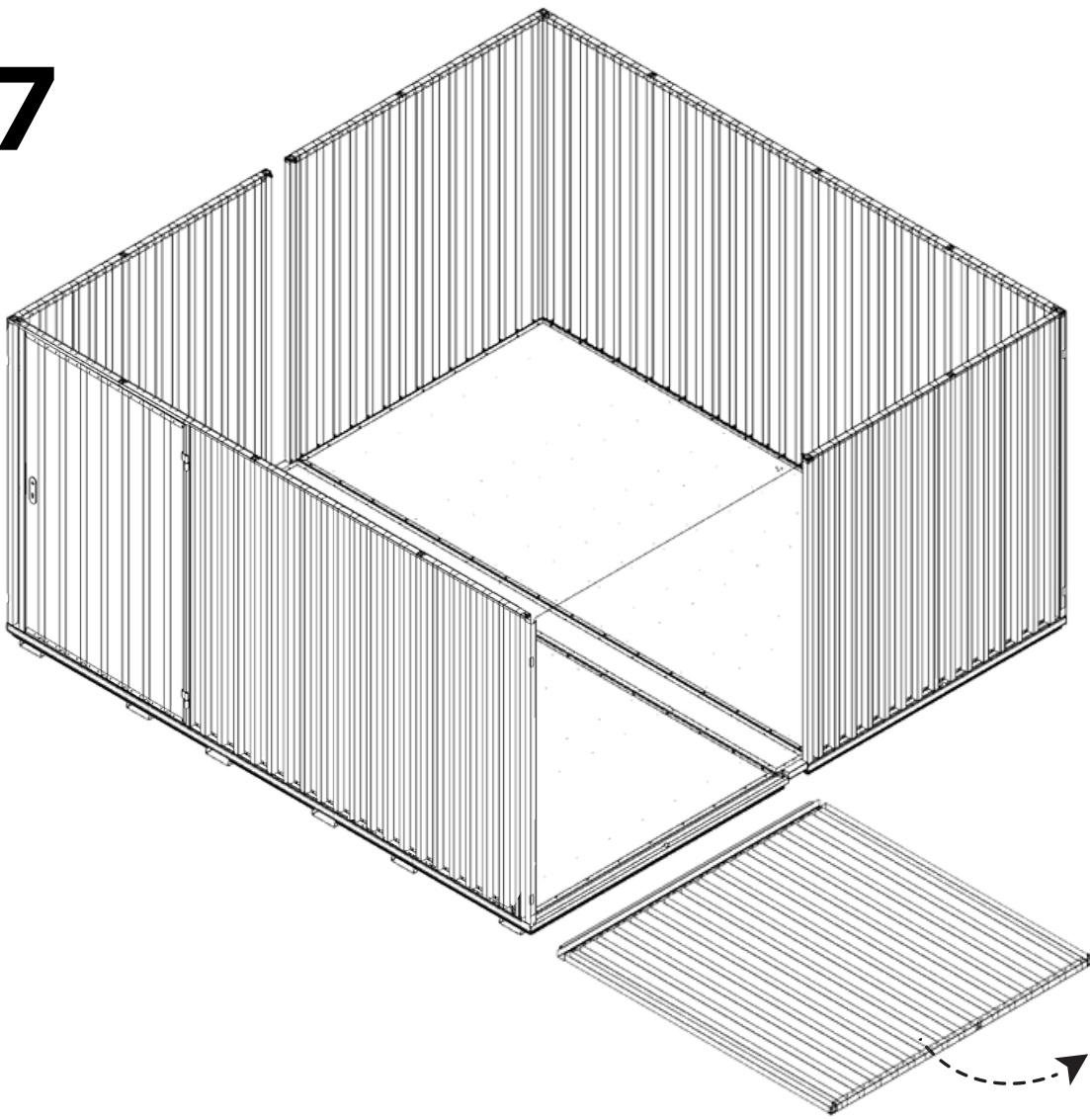
5



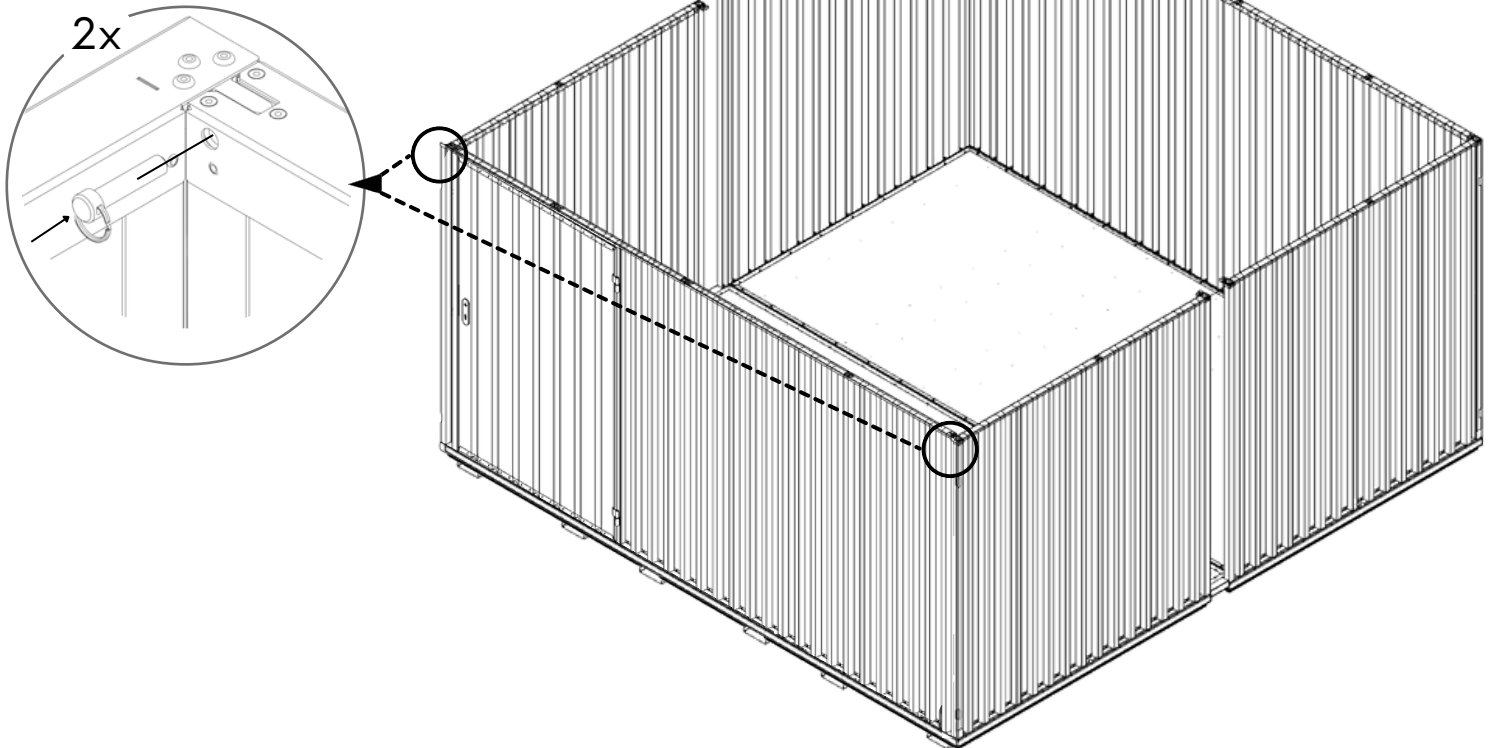
6



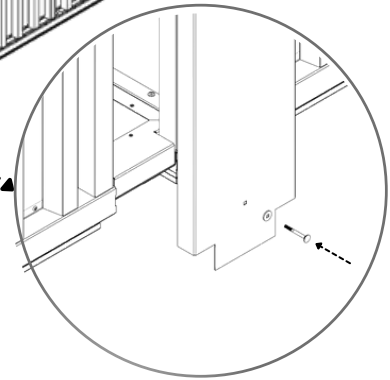
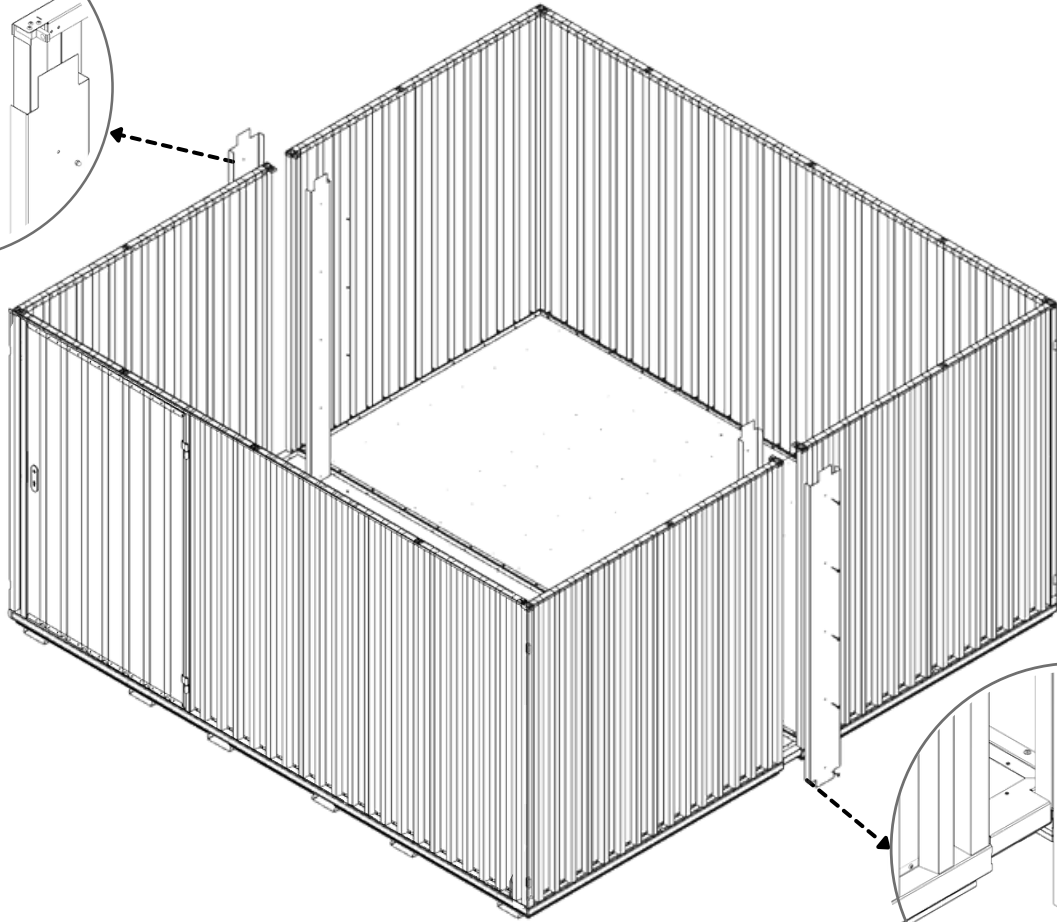
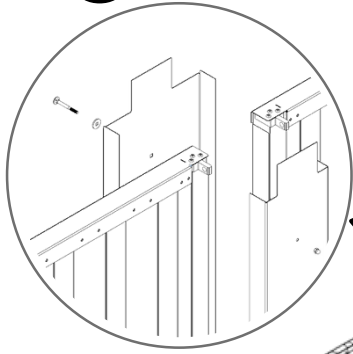
7



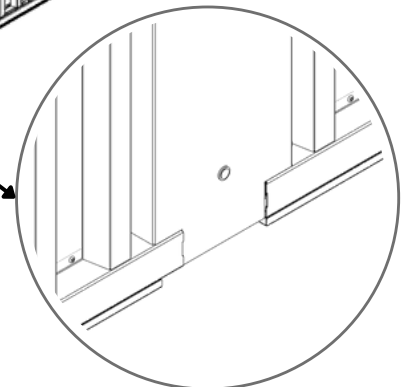
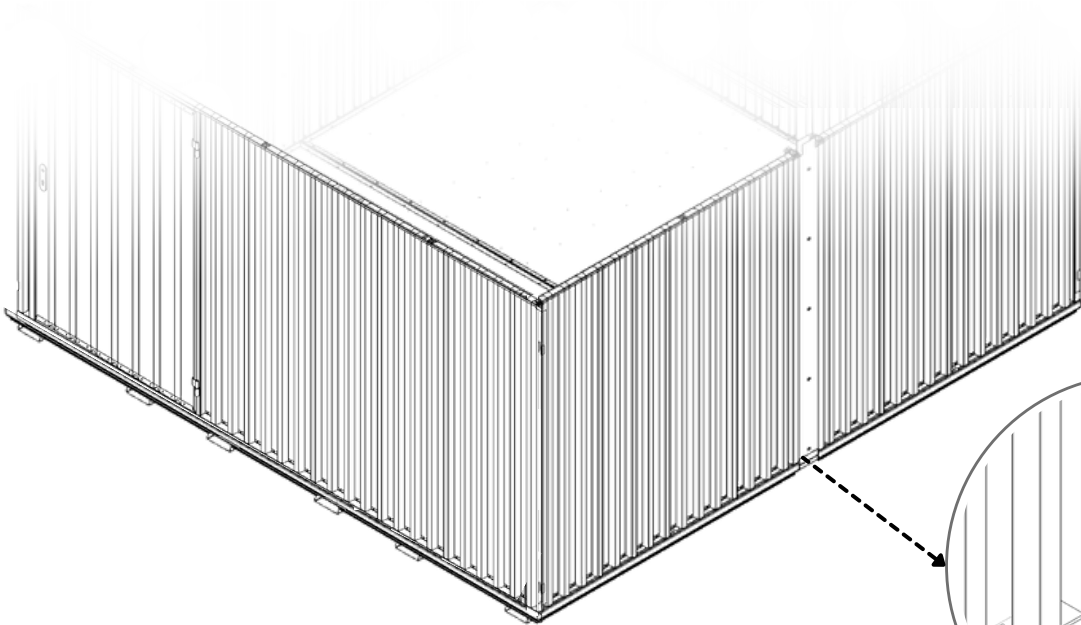
7.1



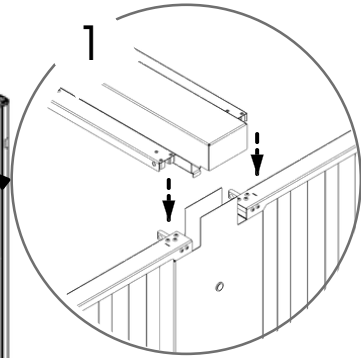
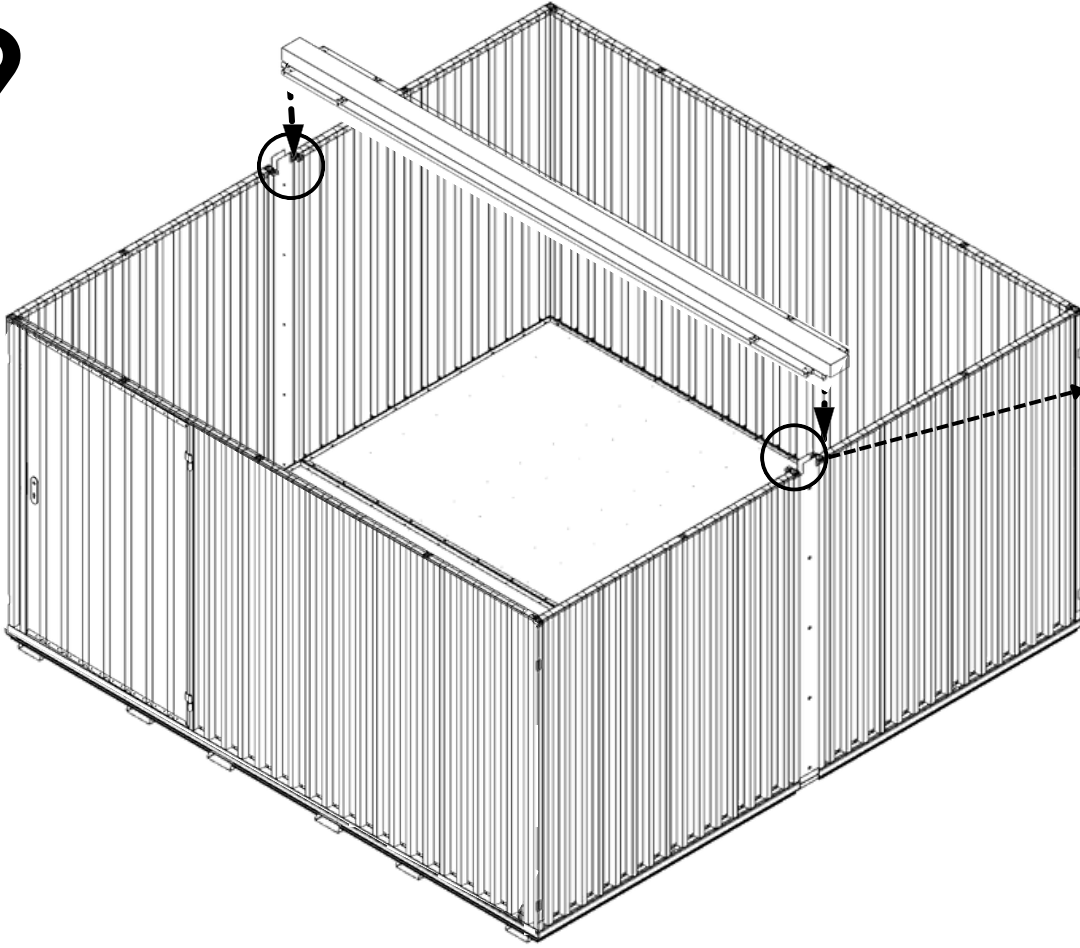
8



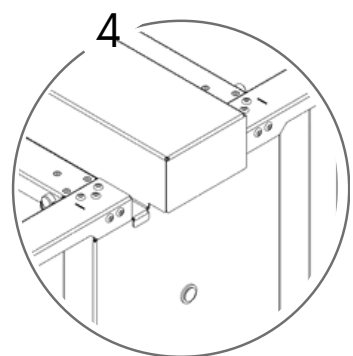
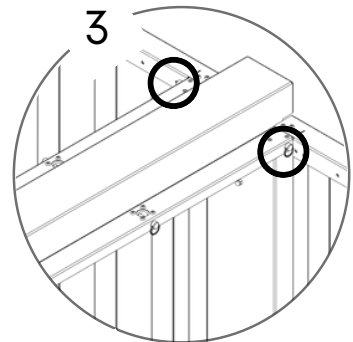
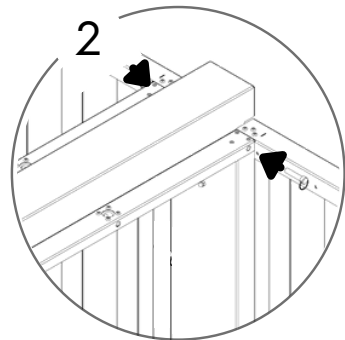
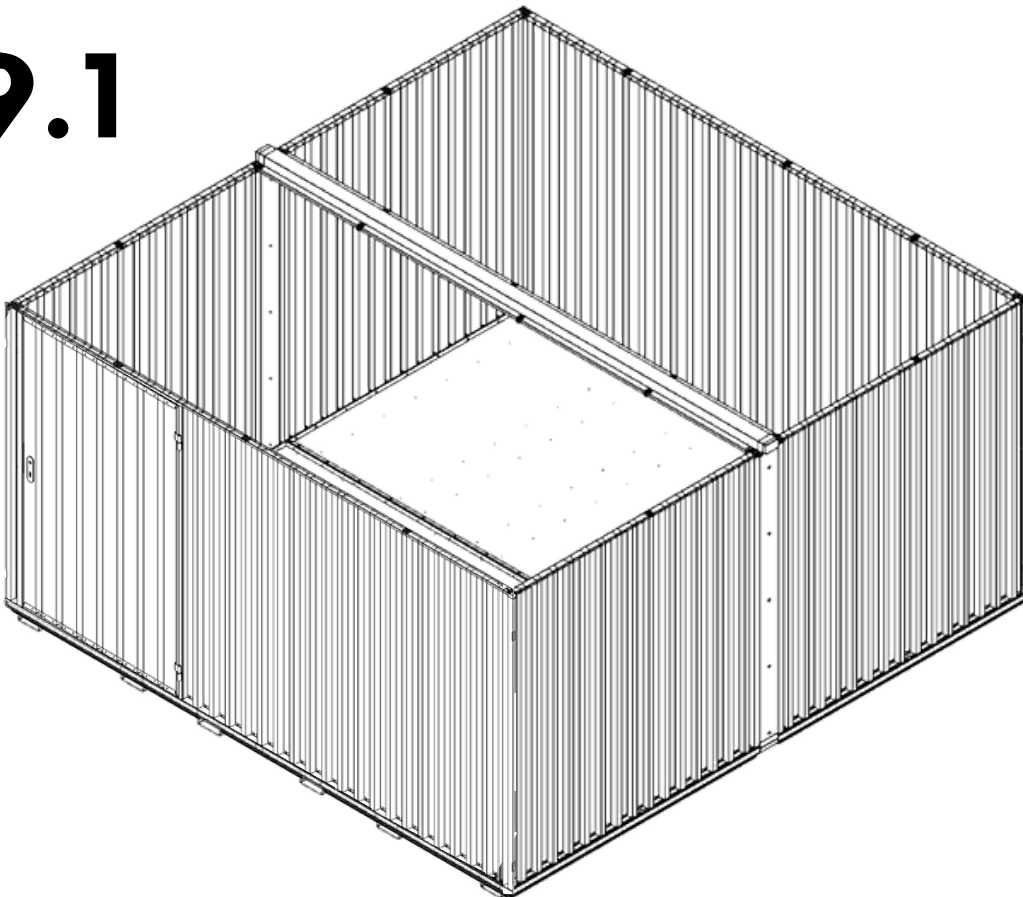
8.1











9

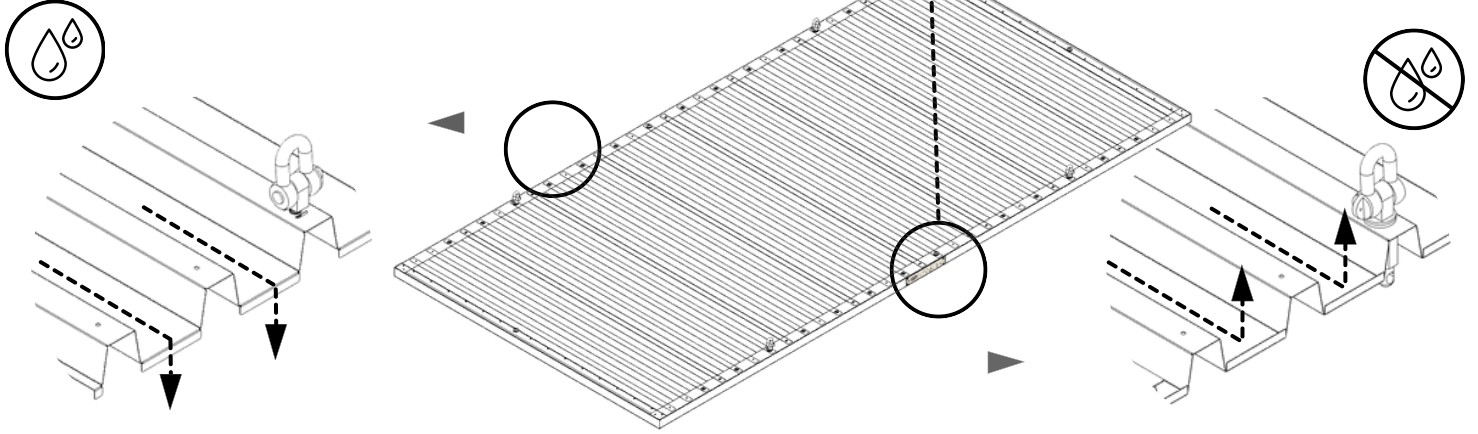


9.1

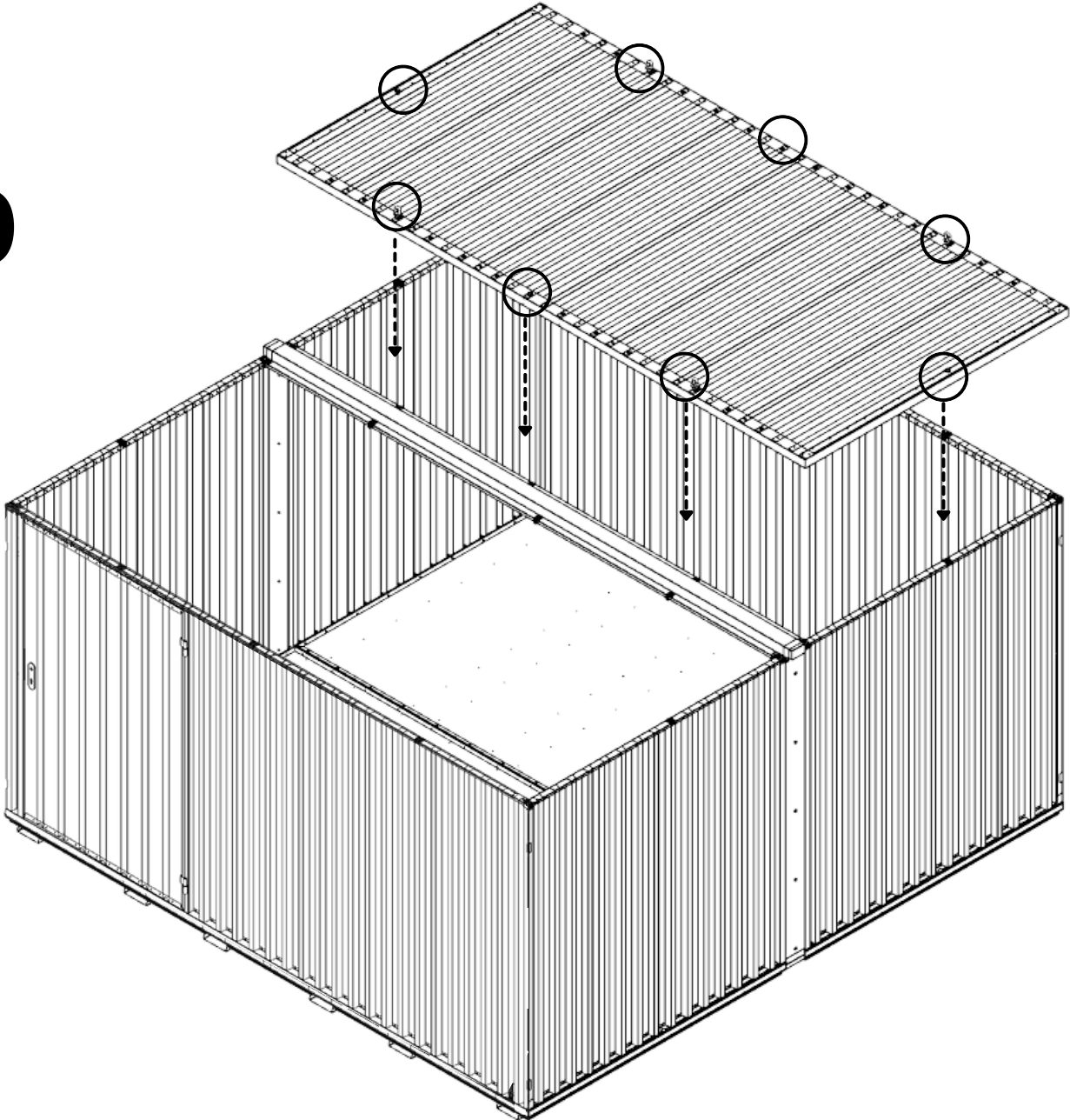




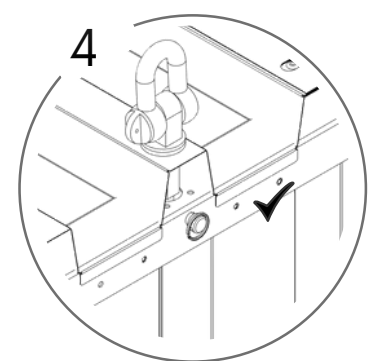
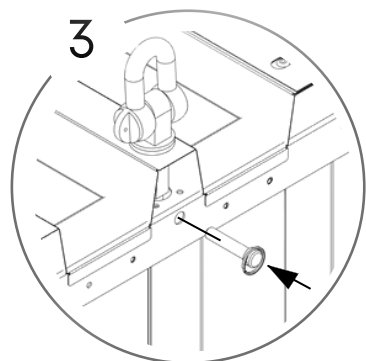
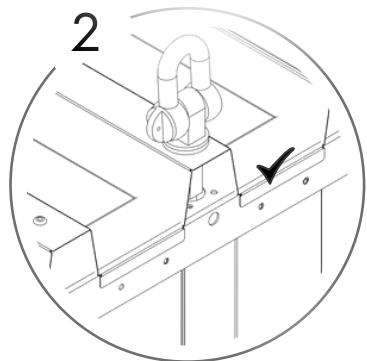
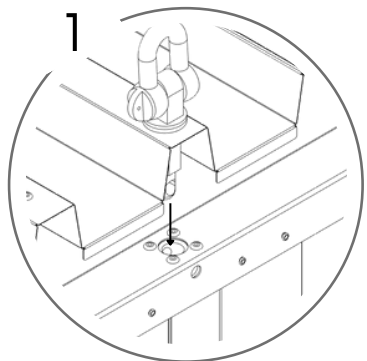
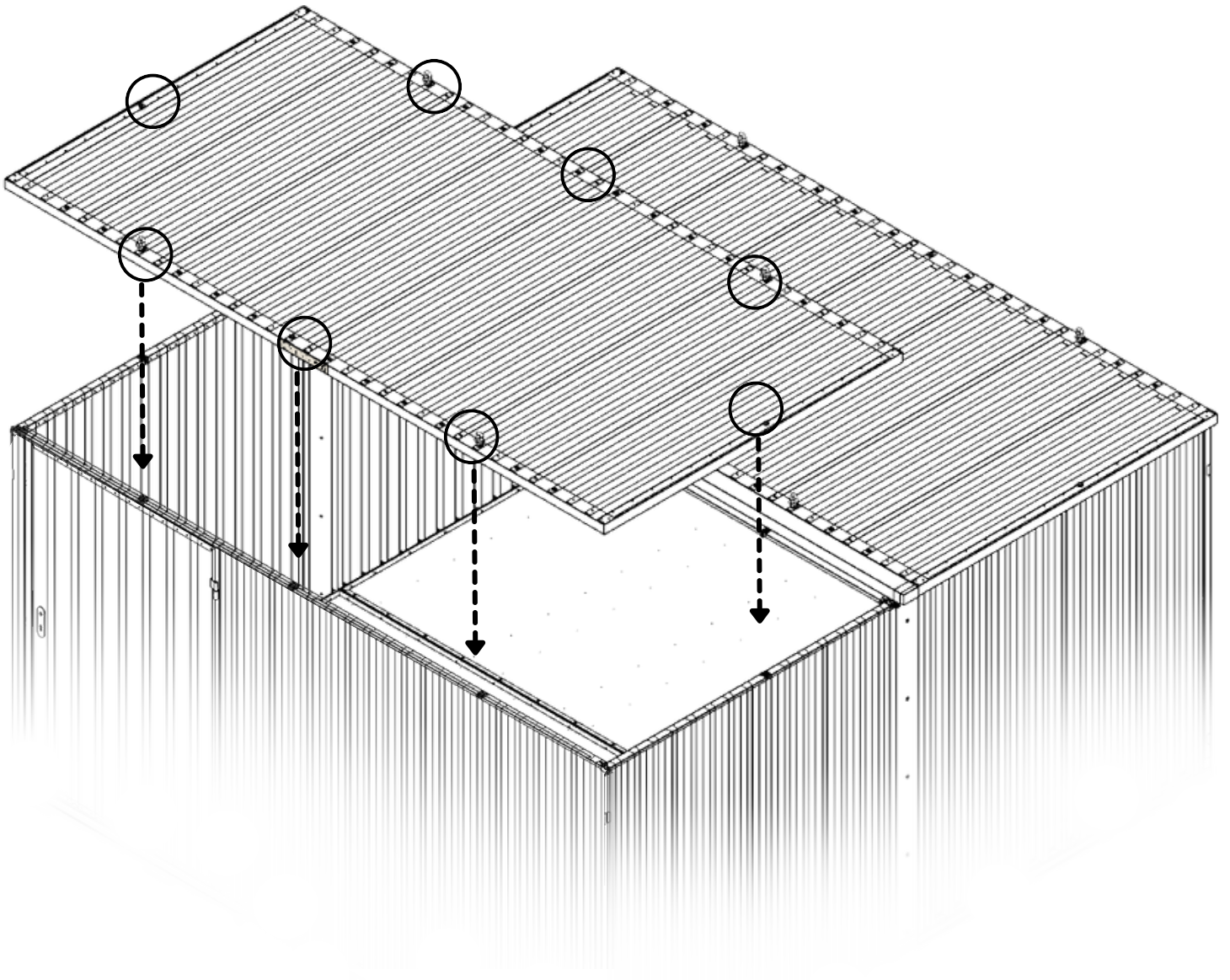
 753 KG	 1640 MM	Model Code: 404.110.450 Production Tracking Code:/X09.1.404.450	 9001	 14001	 50001			
---	--	---	---	--	--	---	---	---



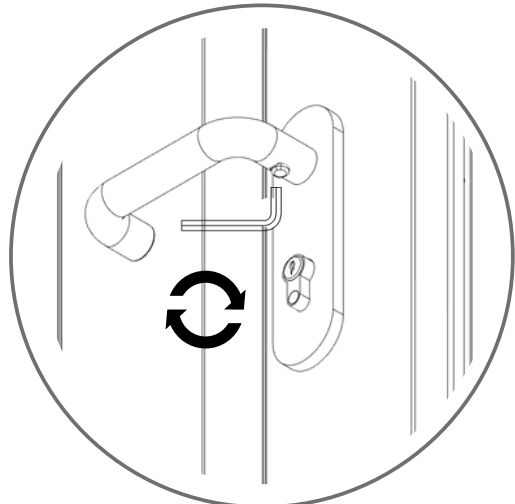
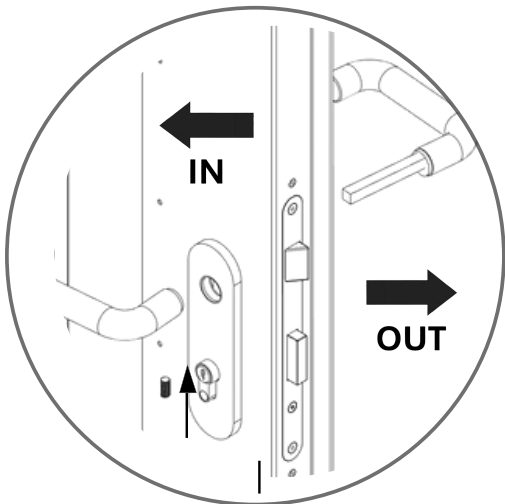
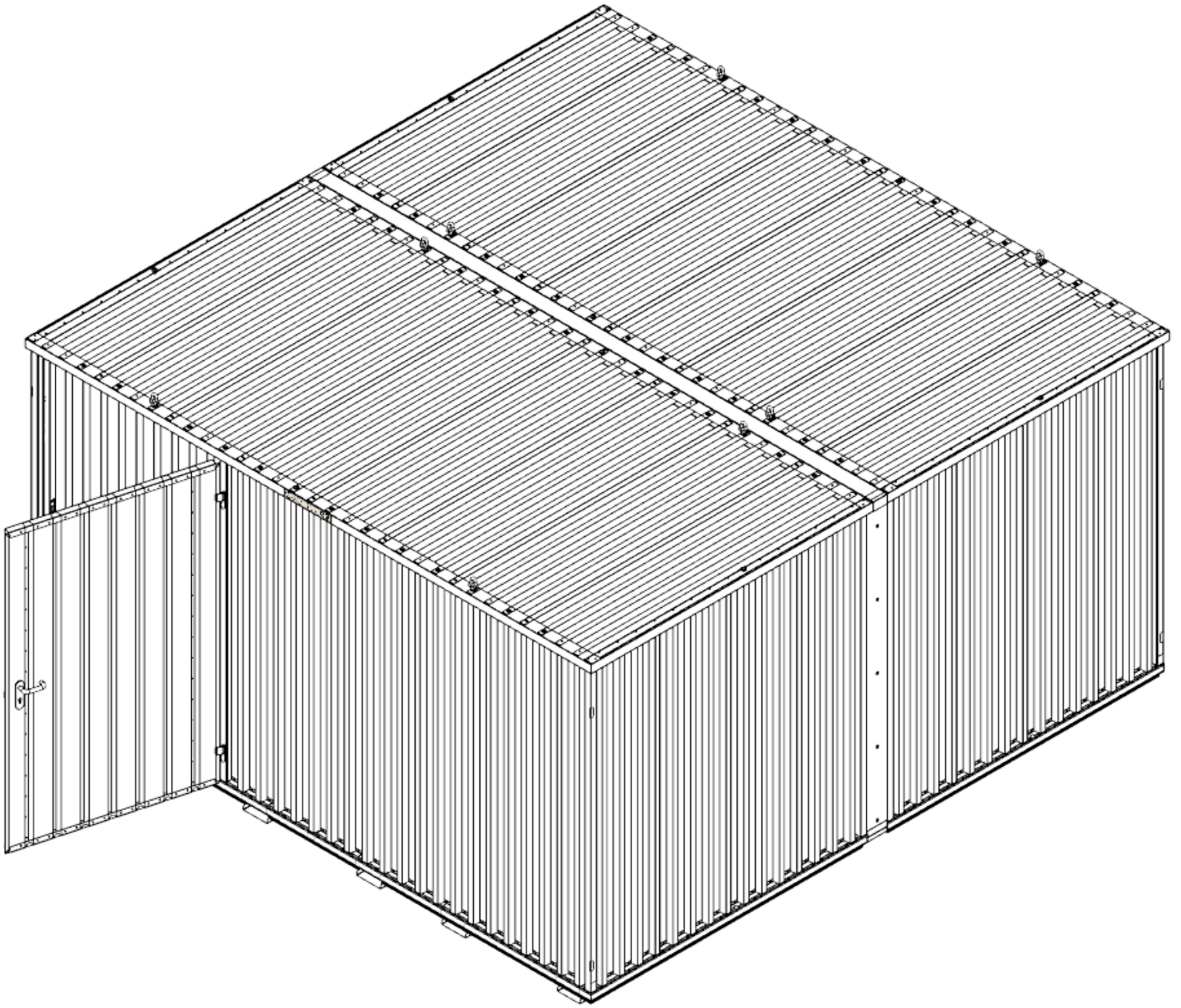
10



11



12



13

