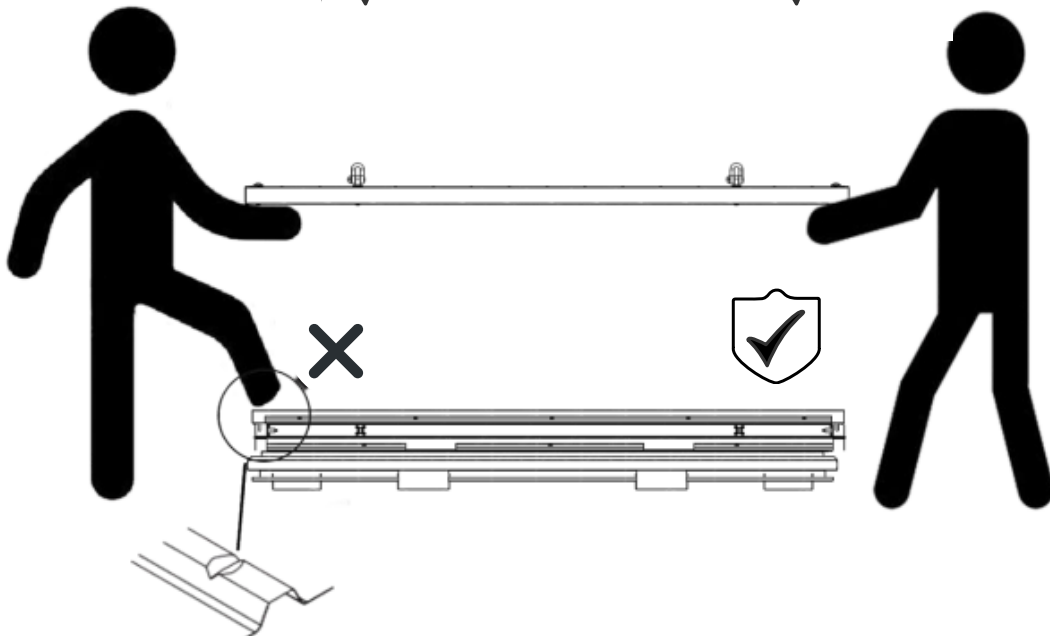
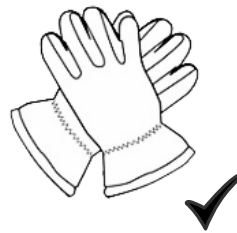


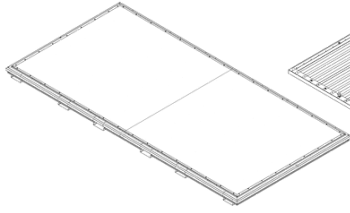
PRODUCT CODE:40.110.420.330

prefabase
Quick Build Solutions

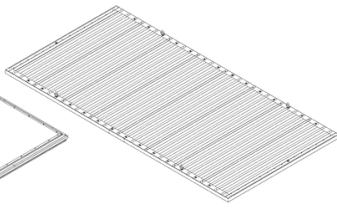
Instructions and User Guide



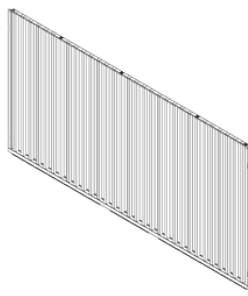
40.0110
1x



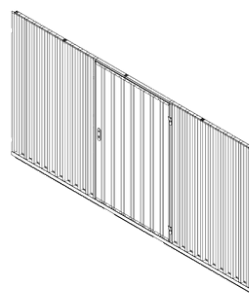
40.0510
1x



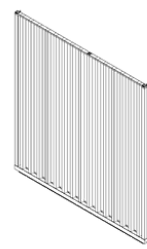
40.0410
1x



40.0420
1x



0310
1x



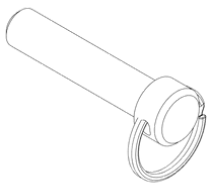
0330
1x



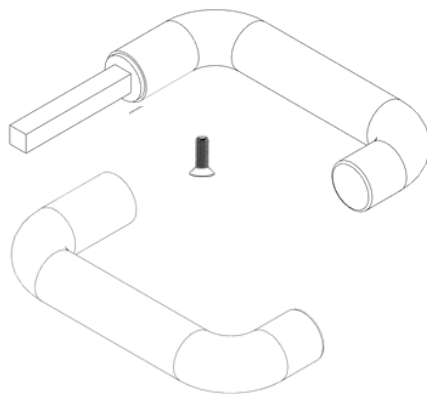
61.101
2x



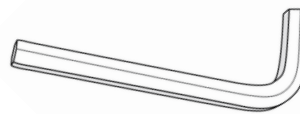
12x



2x



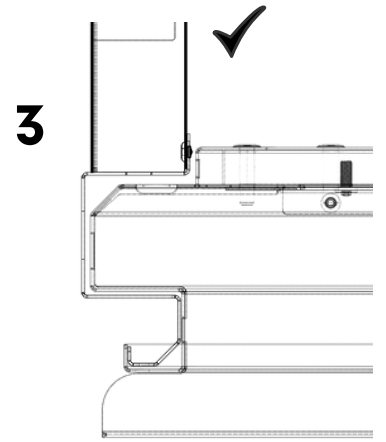
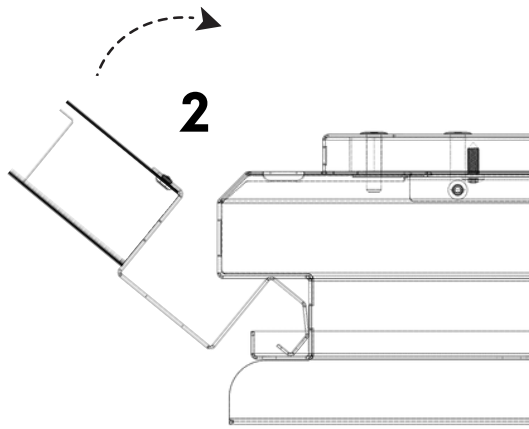
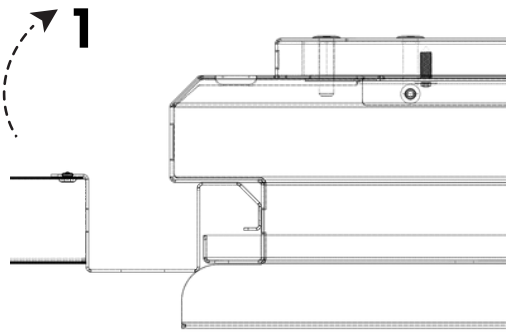
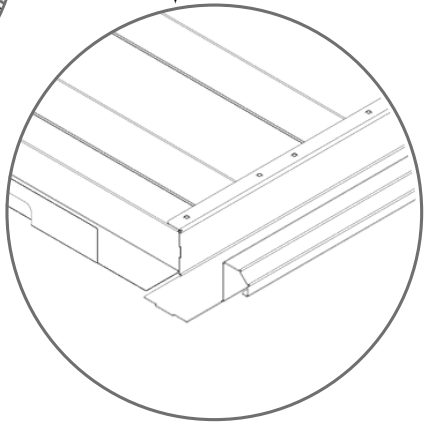
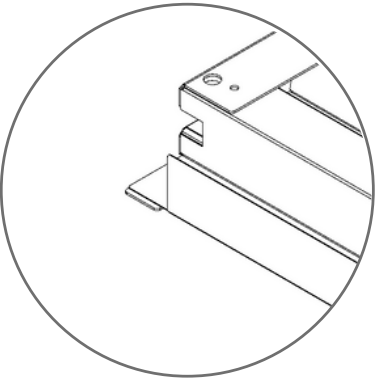
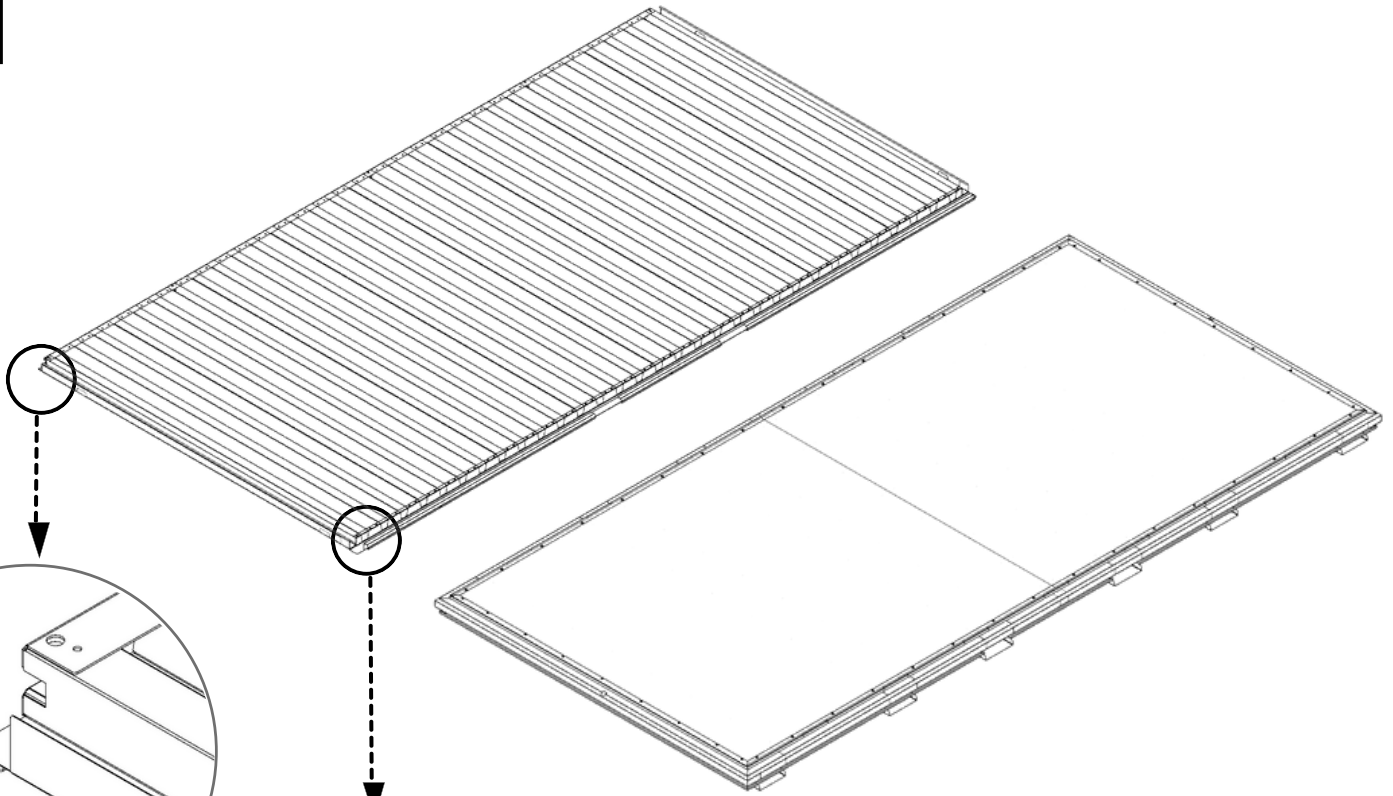
1x



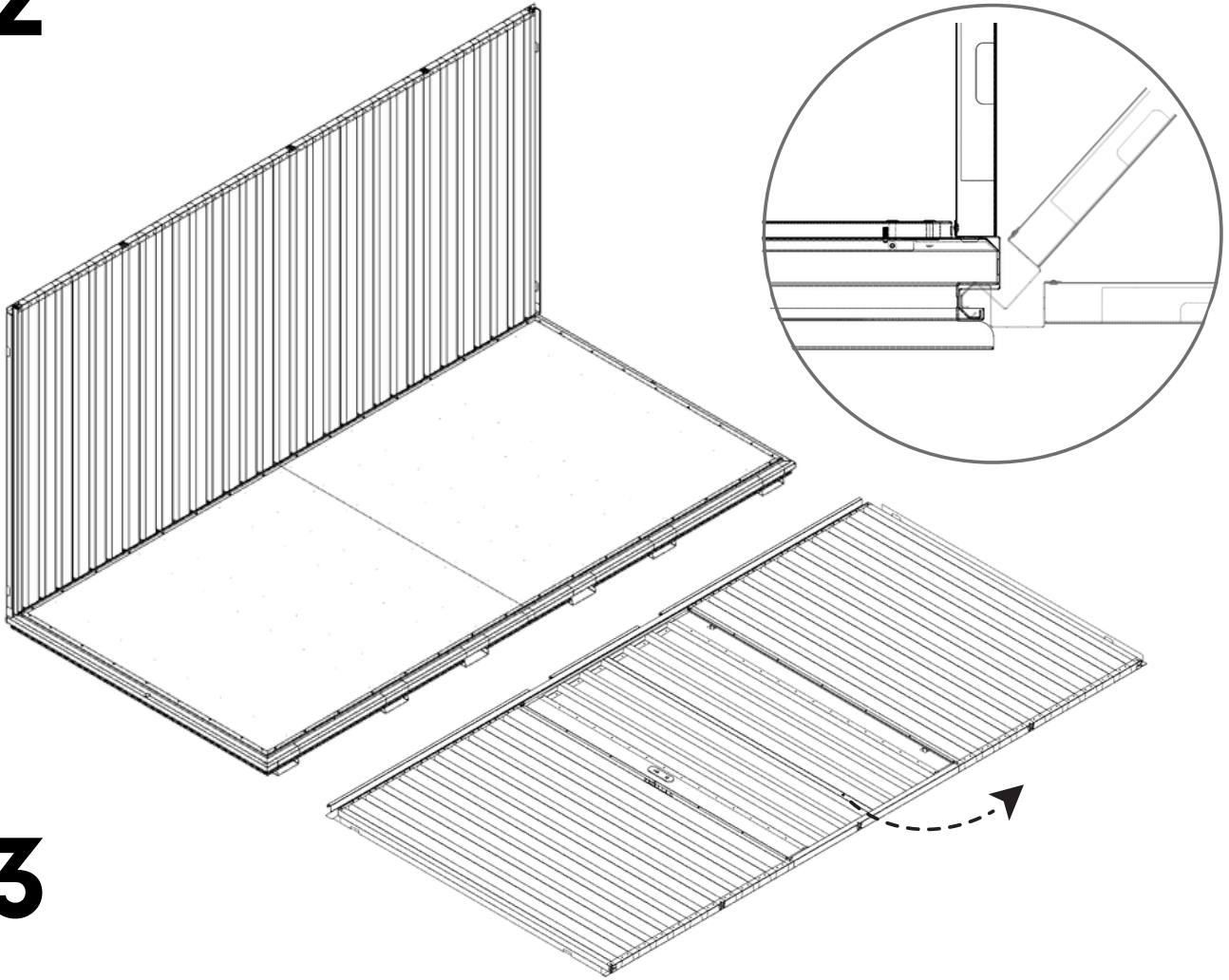
2x



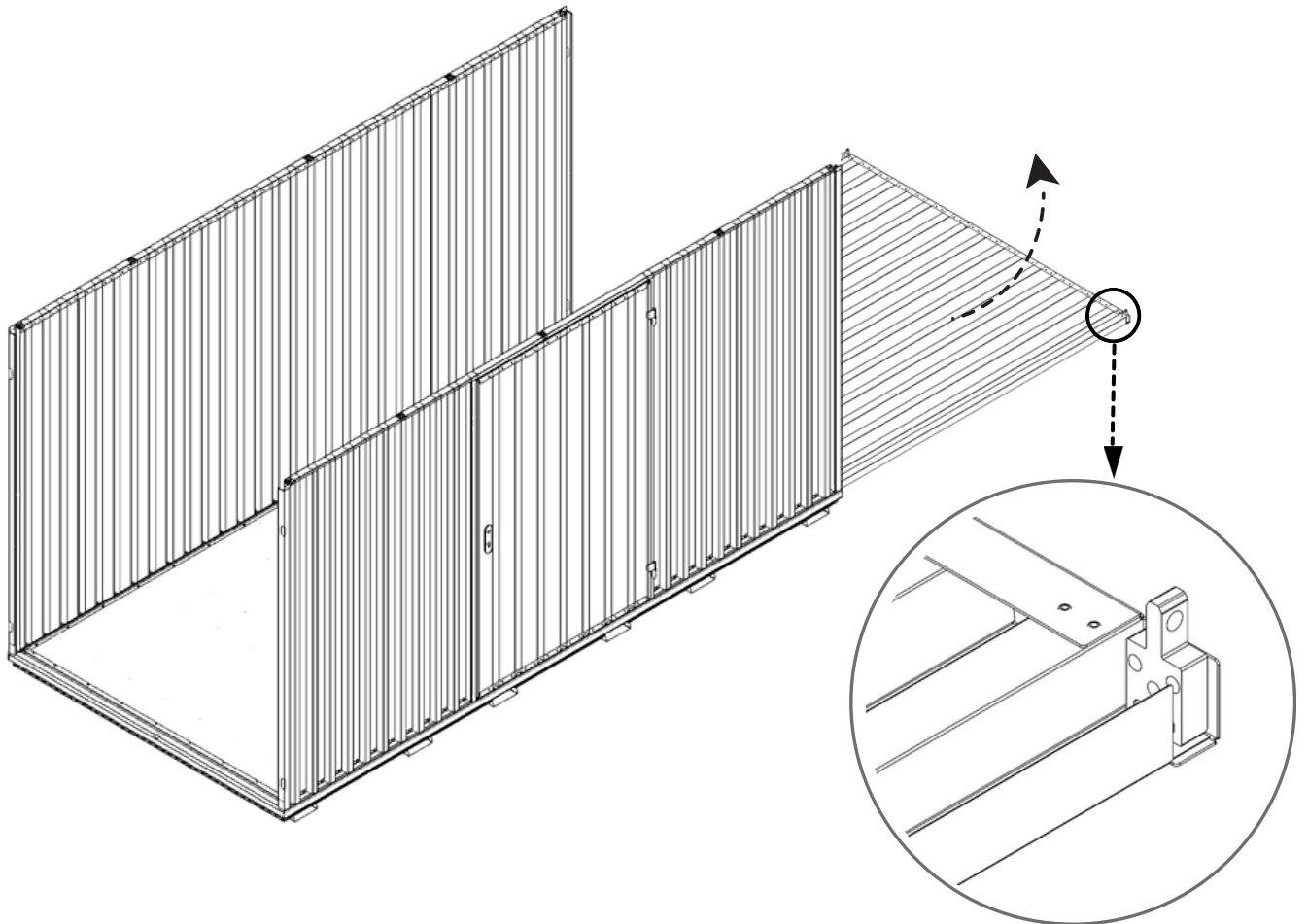
1



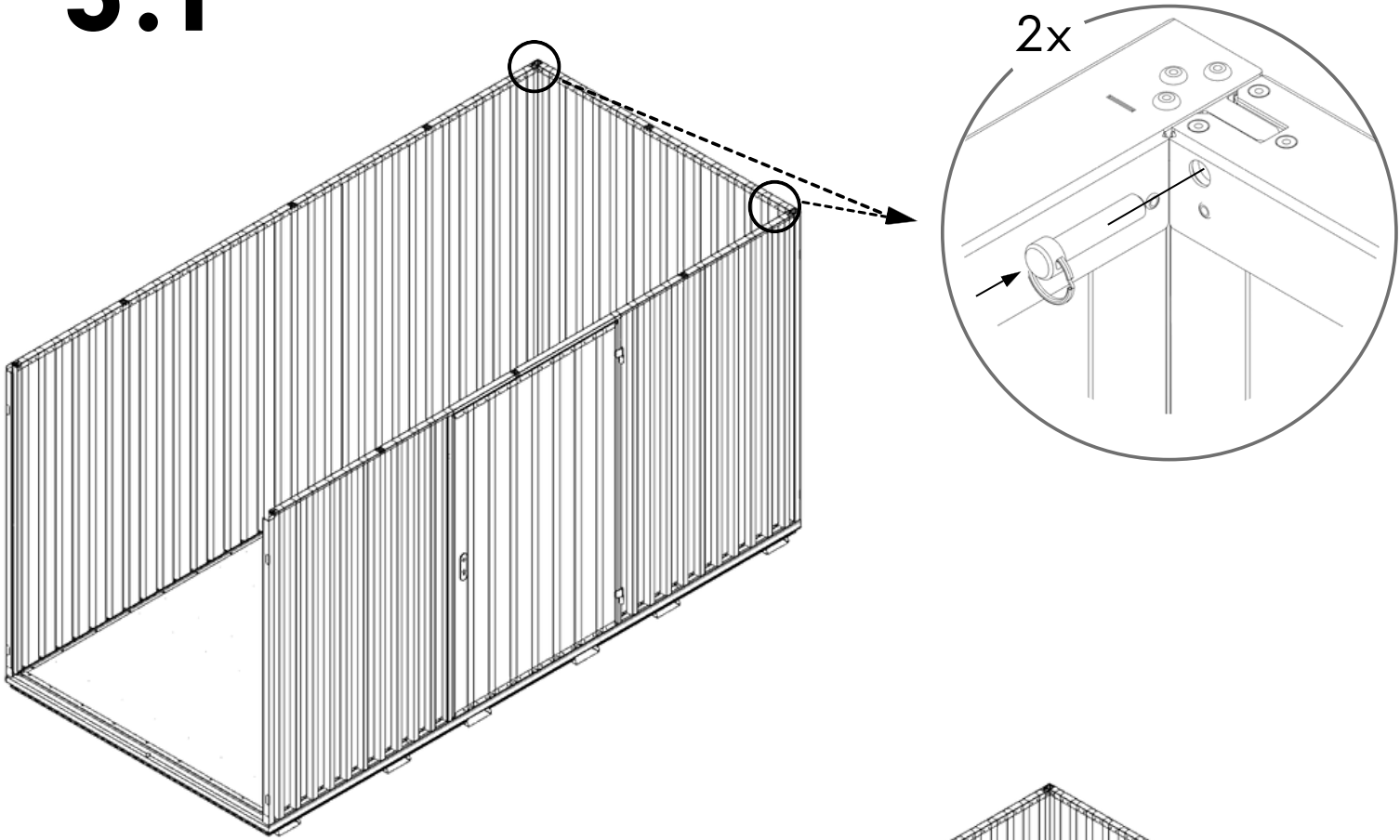
2



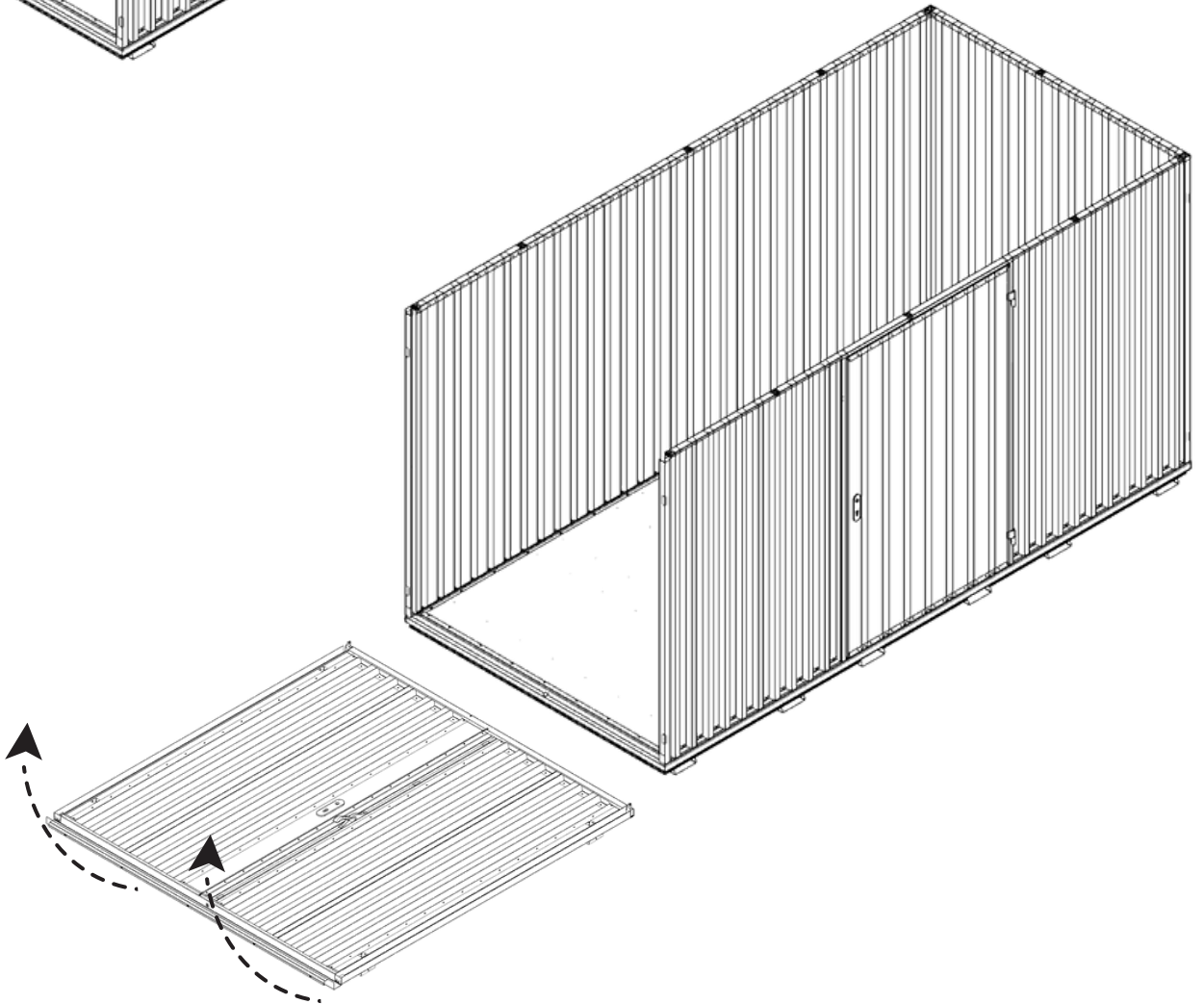
3



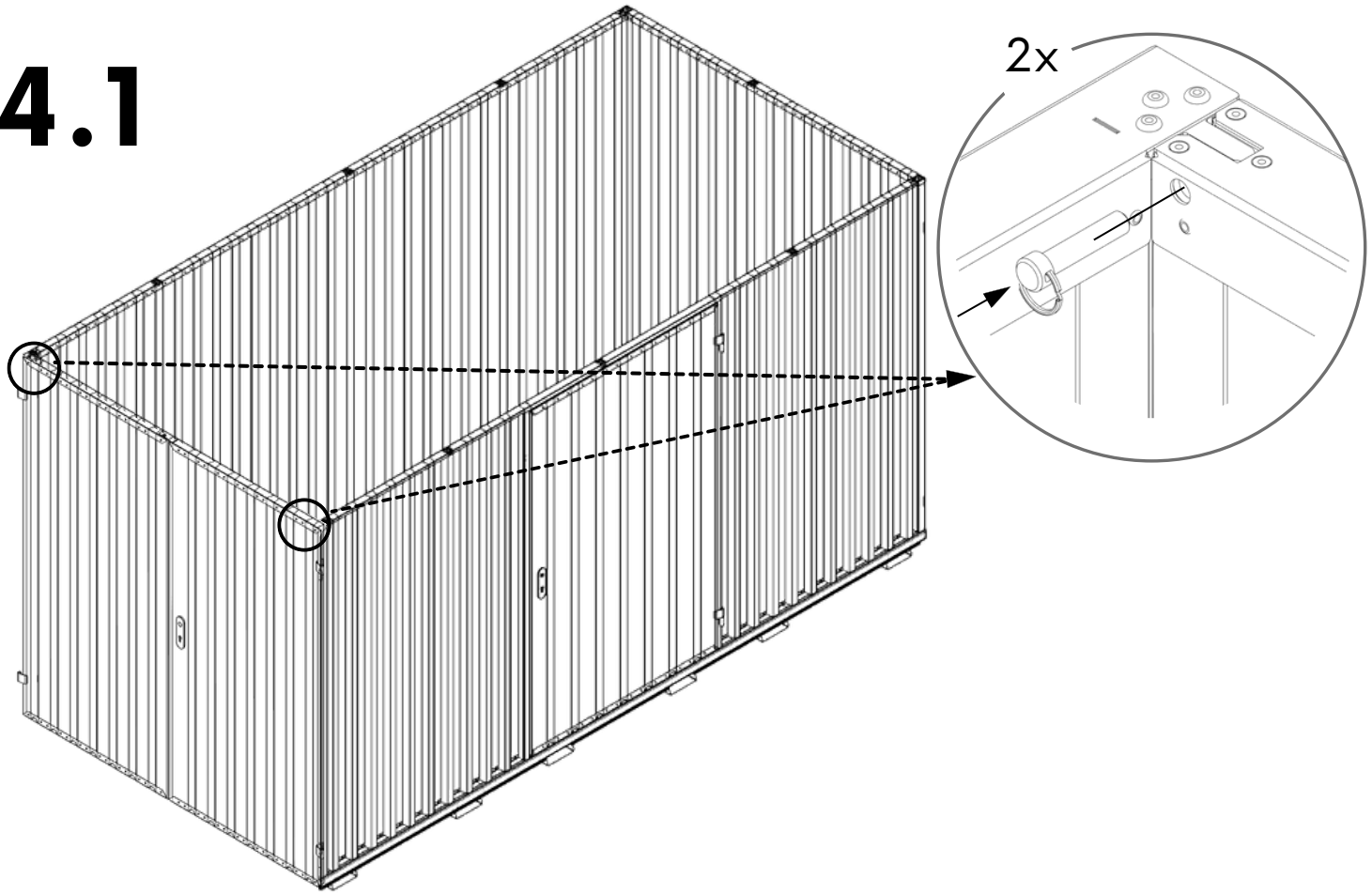
3.1











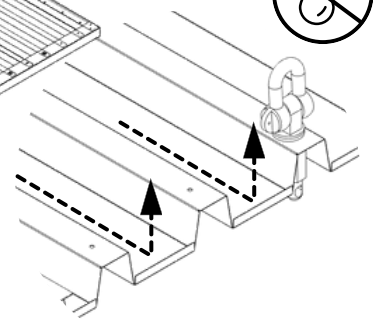
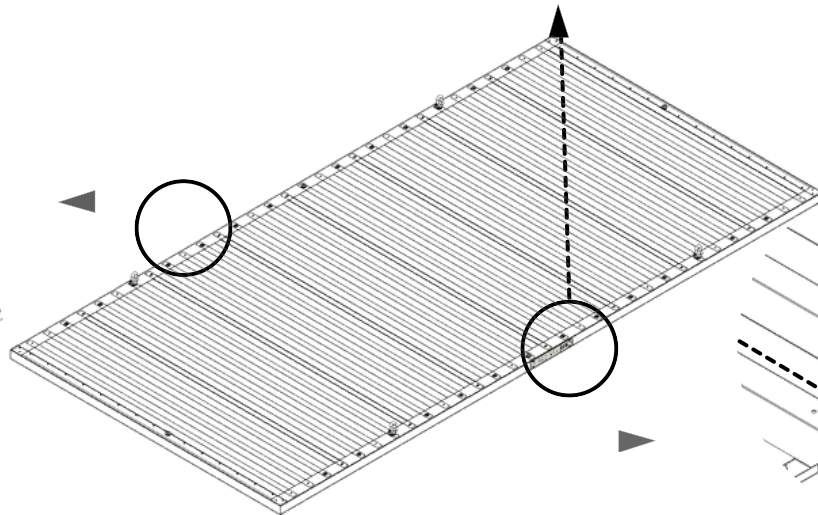
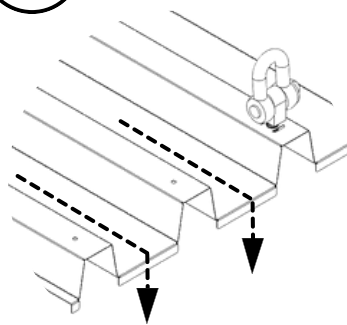
4



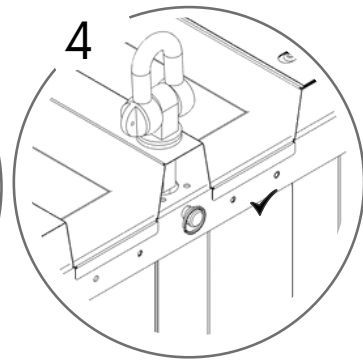
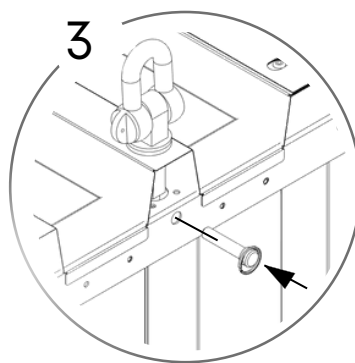
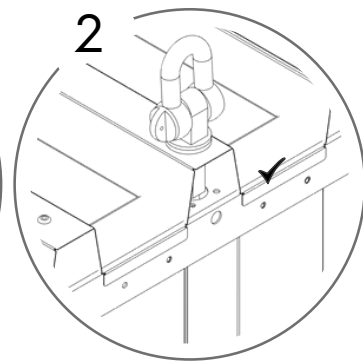
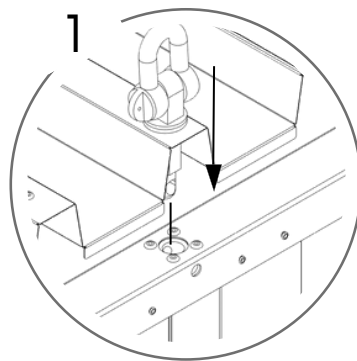
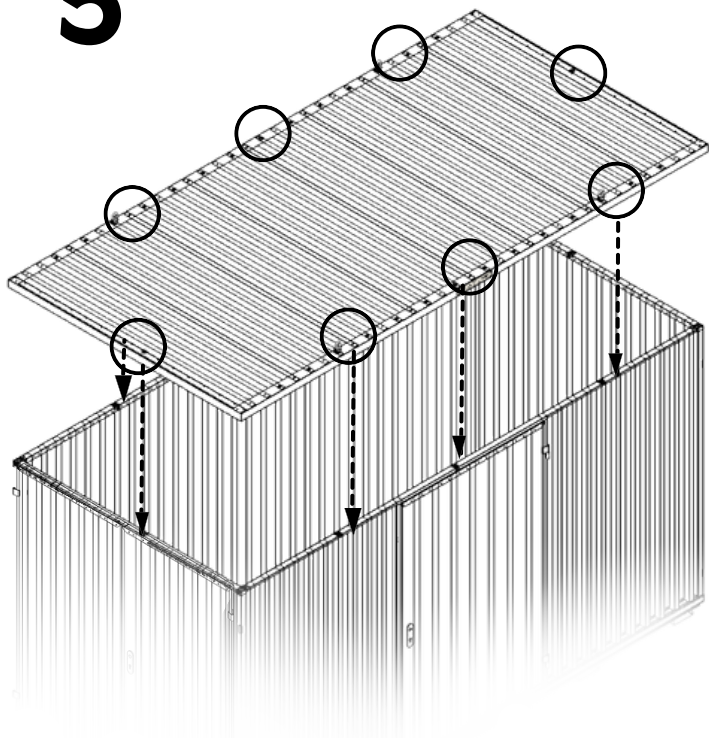
4.1



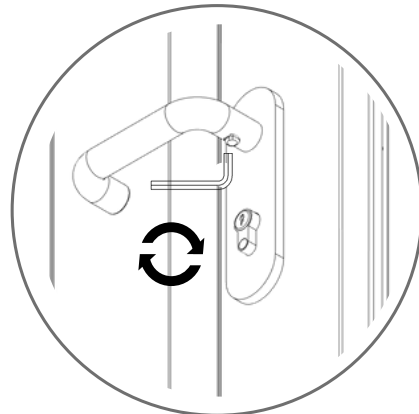
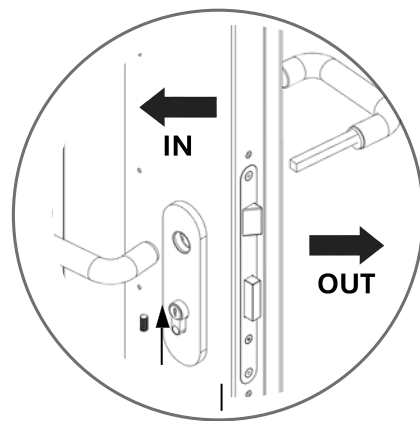
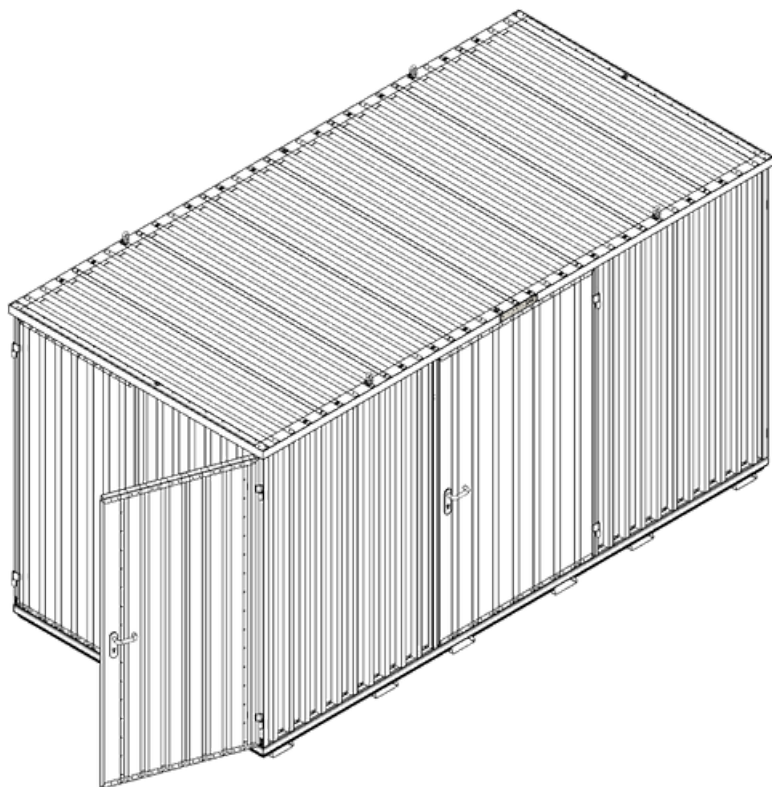
 446 KG	 1640 MM	Model Code: 40.110.420.330 Production Tracking Code:/X09.1.40.420.330    9001 14001 50001	 	
---	--	--	---	---



5



6



7

