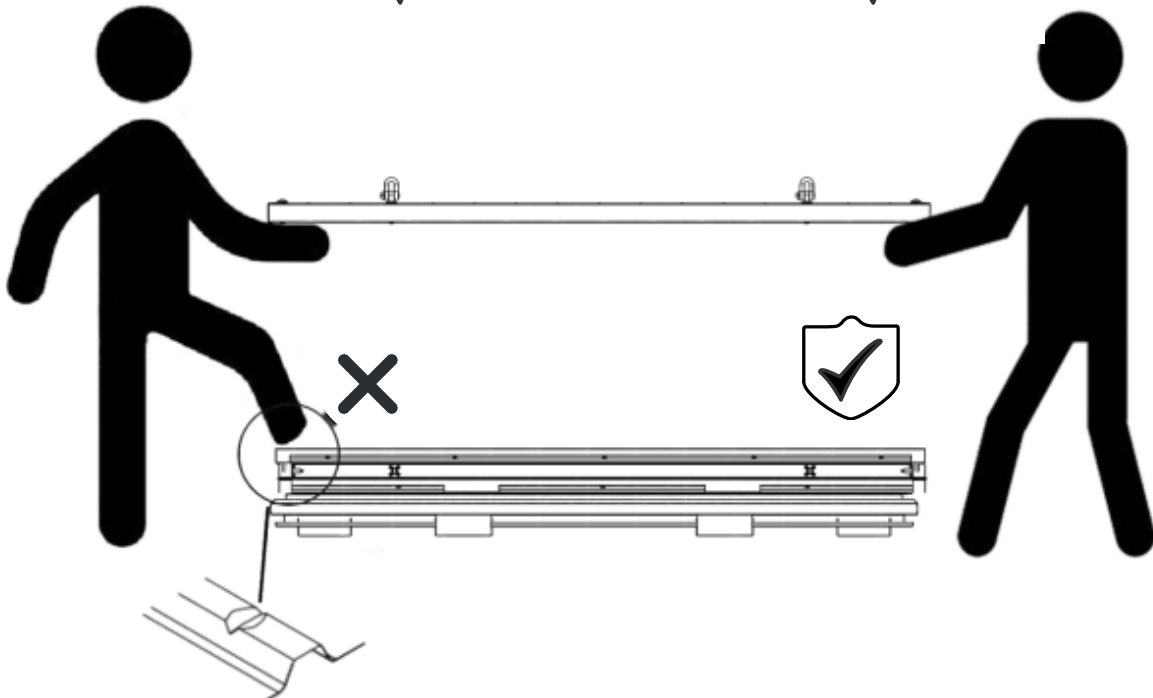
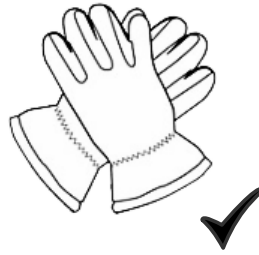


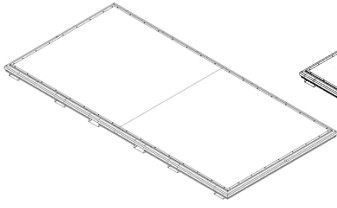
PRODUCT CODE:4030.110.320.331

**prefabase**  
Quick Build Solutions

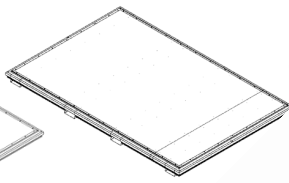
Instructions and User Guide



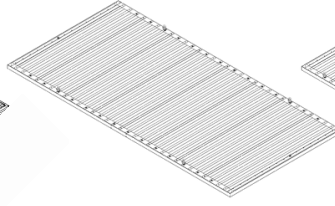
40.0110  
1x



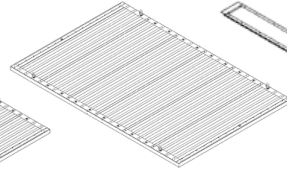
30.0110  
1x



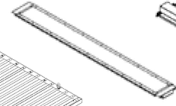
40.0510  
1x



30.0510  
1x



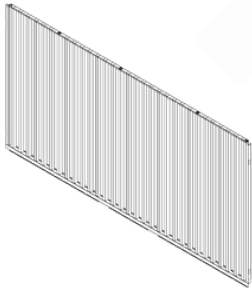
306.0110  
1x



306.0510  
1x



40.0410  
2x



30.0410  
2x



0320  
1x



0330  
1x



306.40.05  
2x



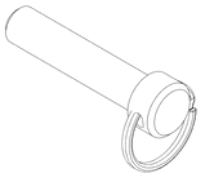
306.40.04  
2x



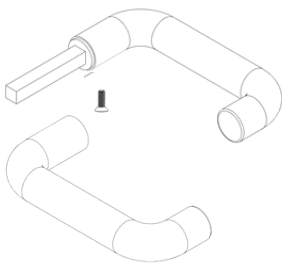
61.101  
2x



22x



2x



10x



10x



10x



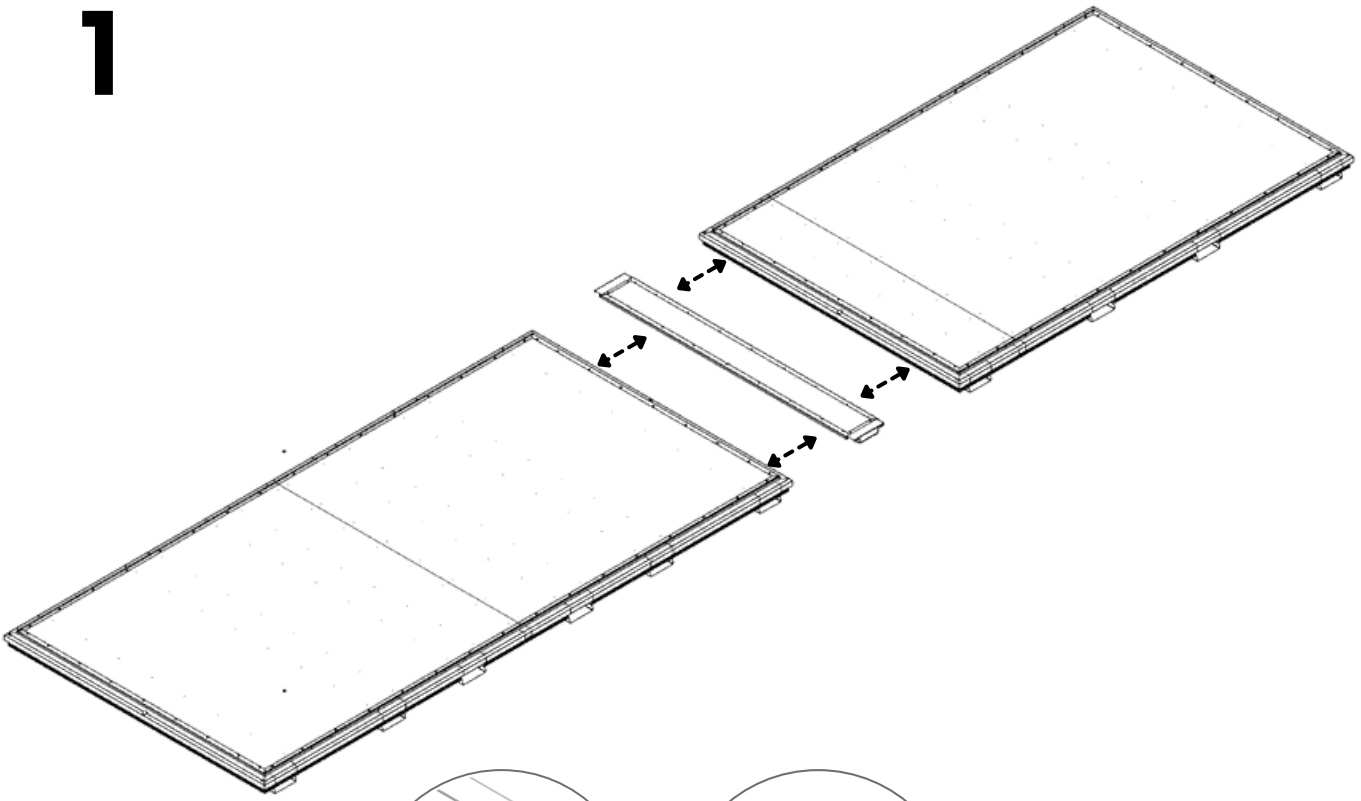
1x



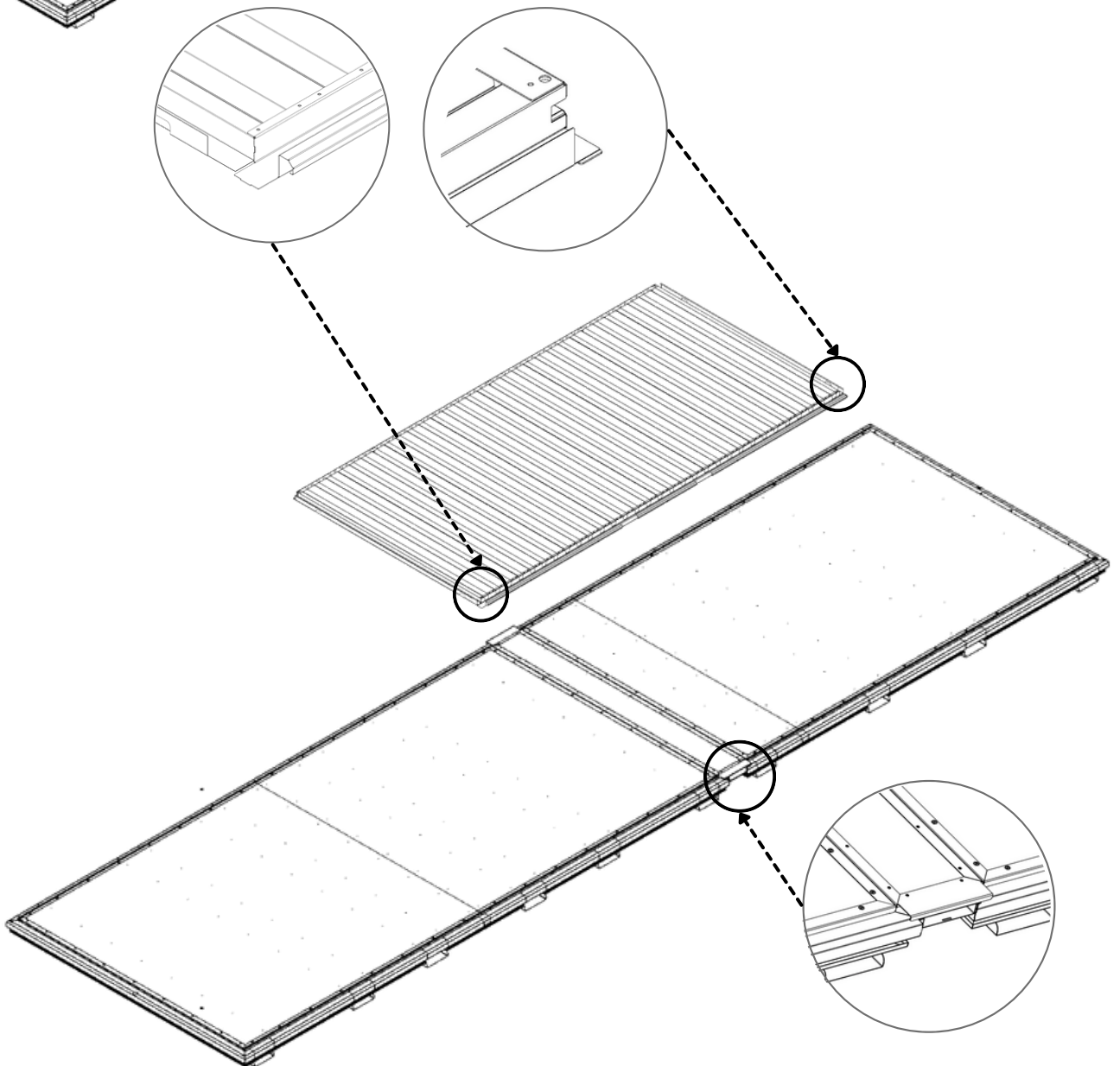
2x

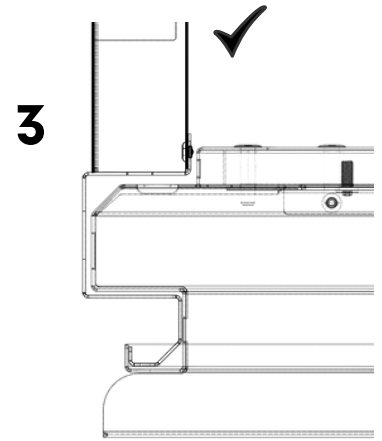
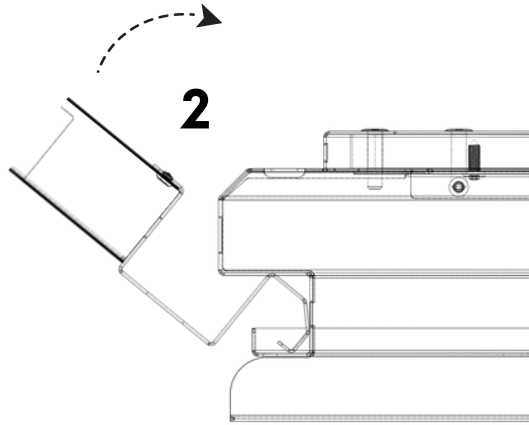
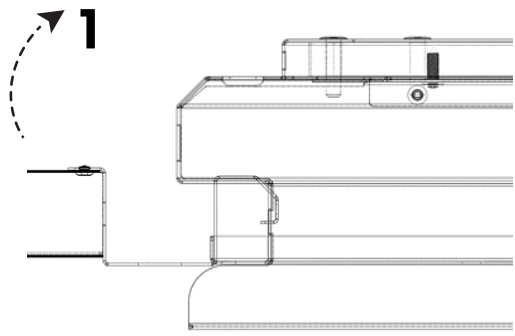


**1**

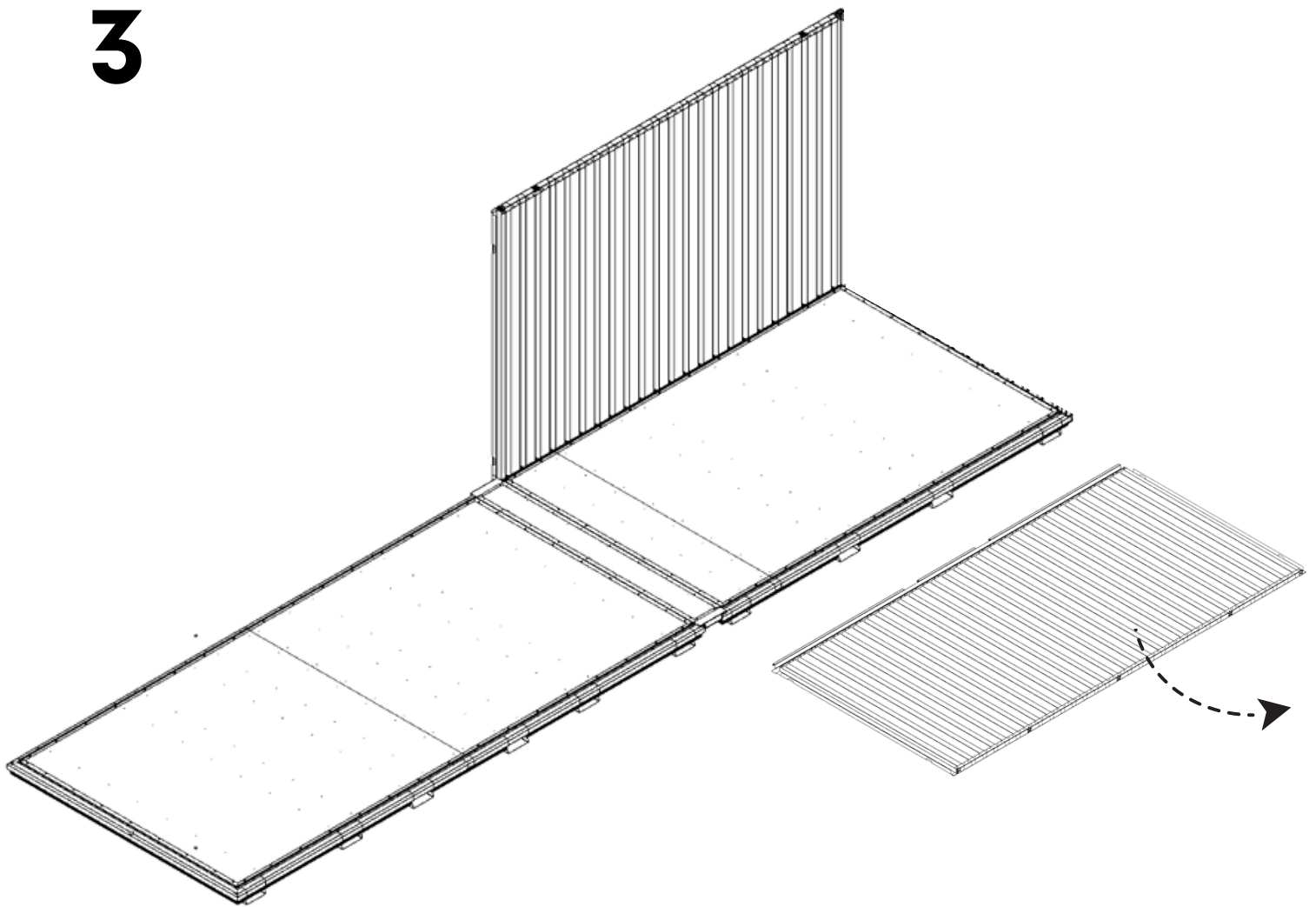


**2**

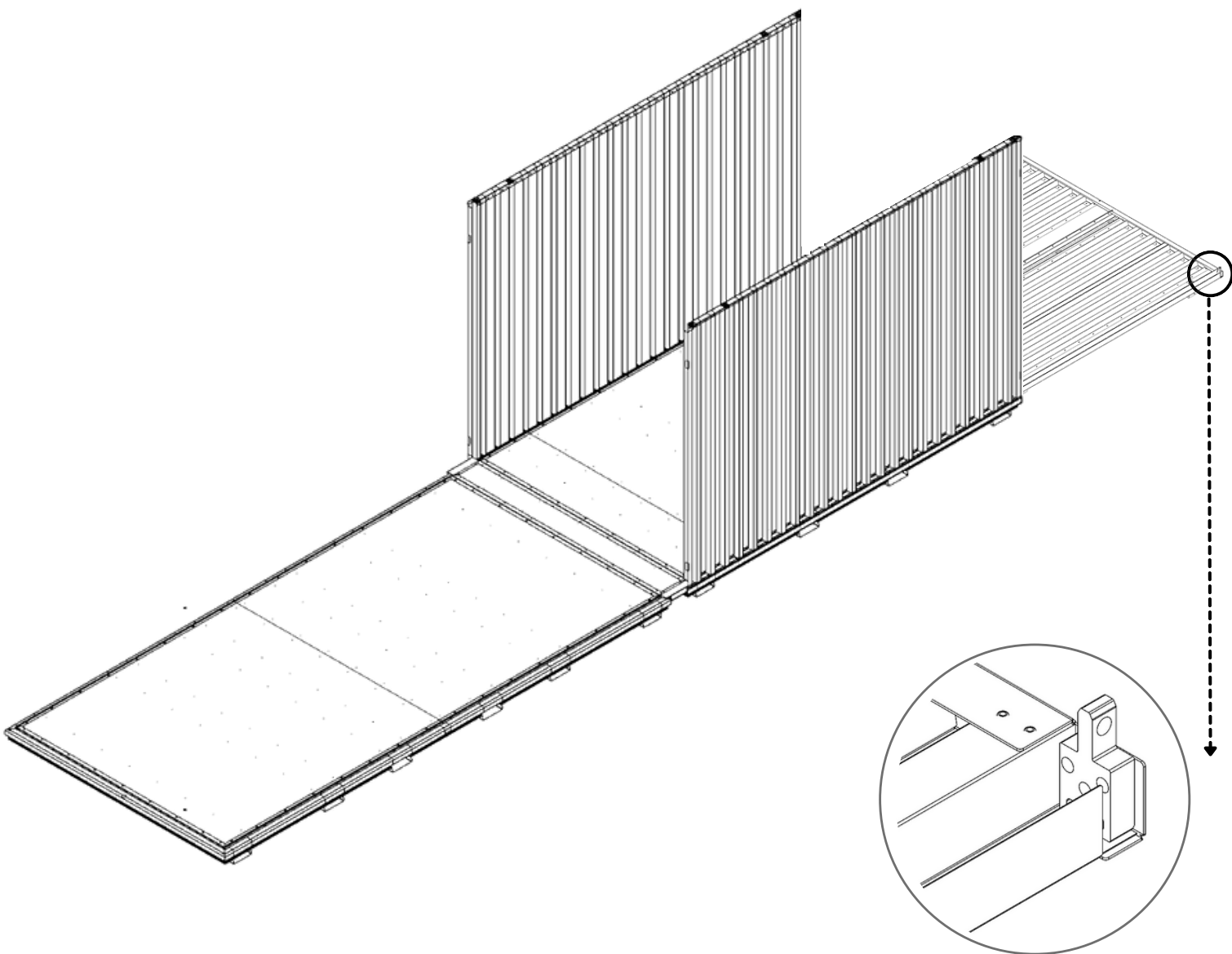




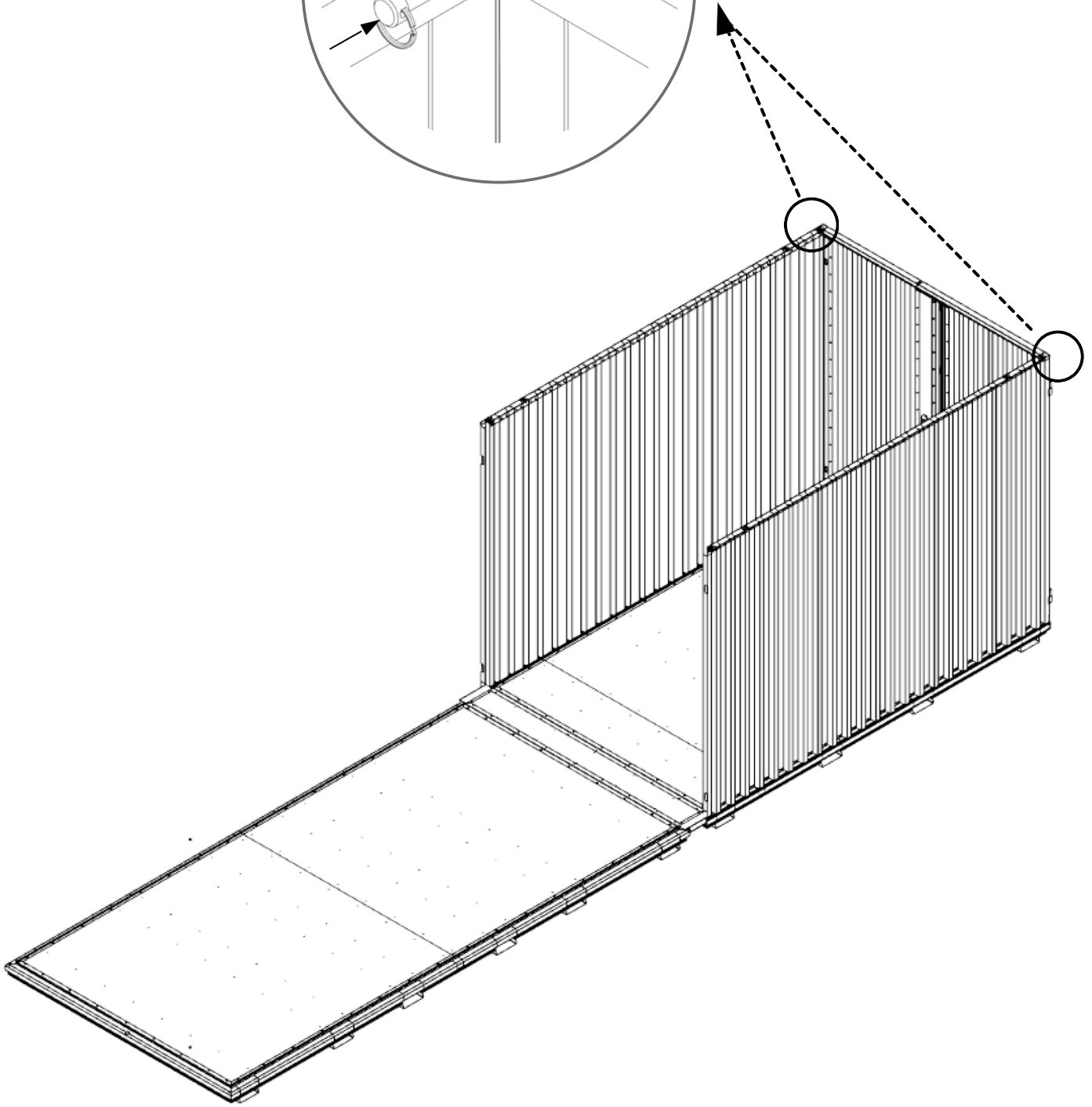
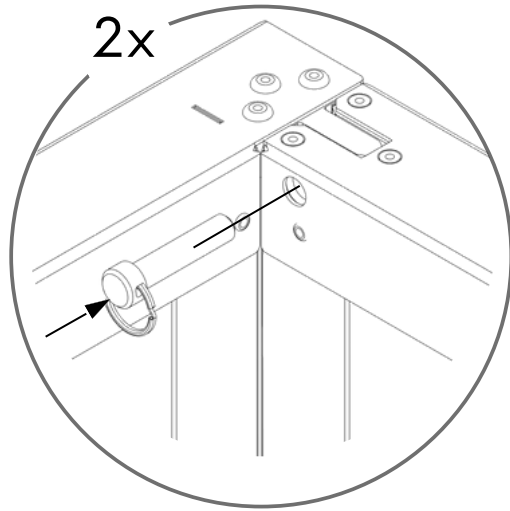
**3**



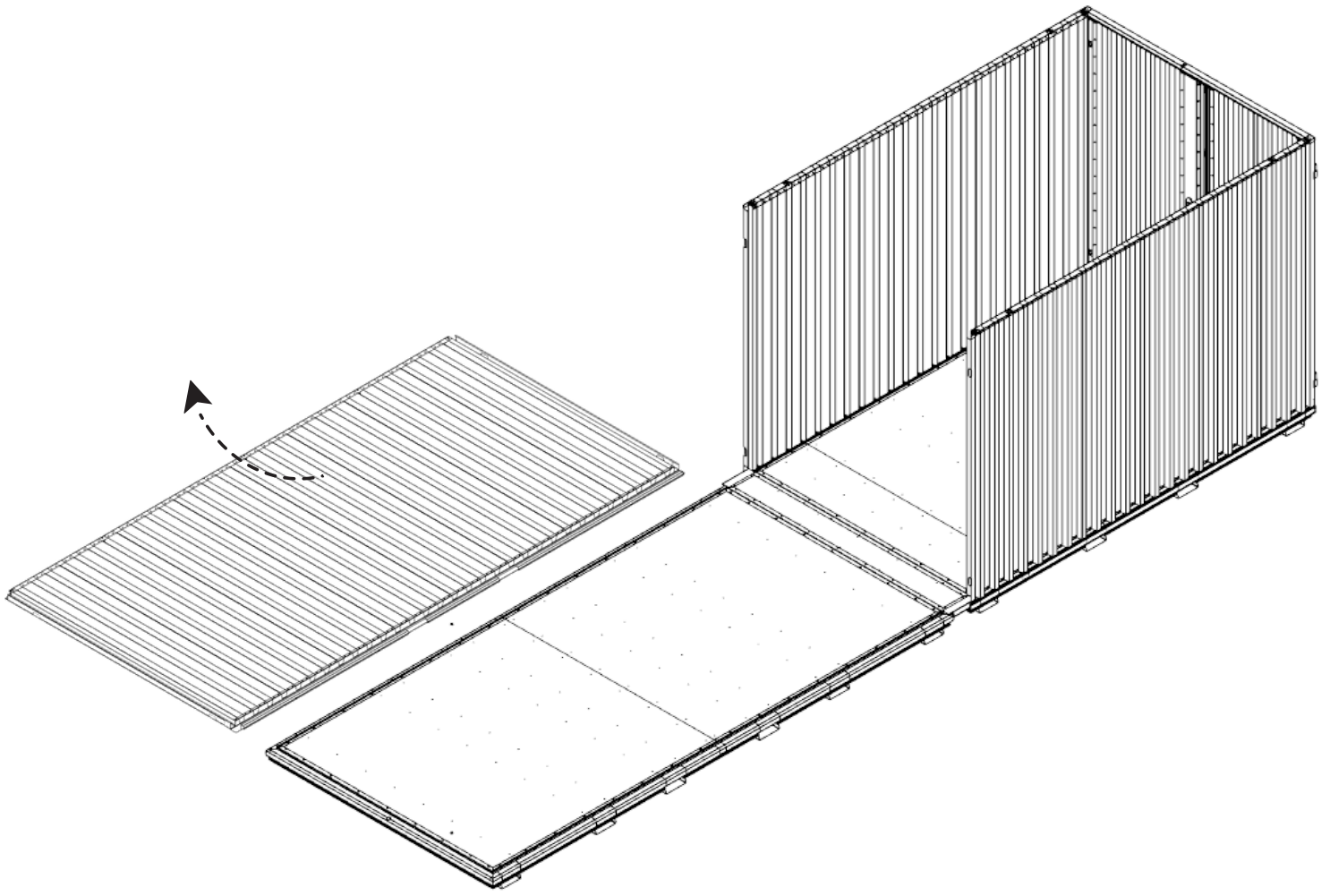
4



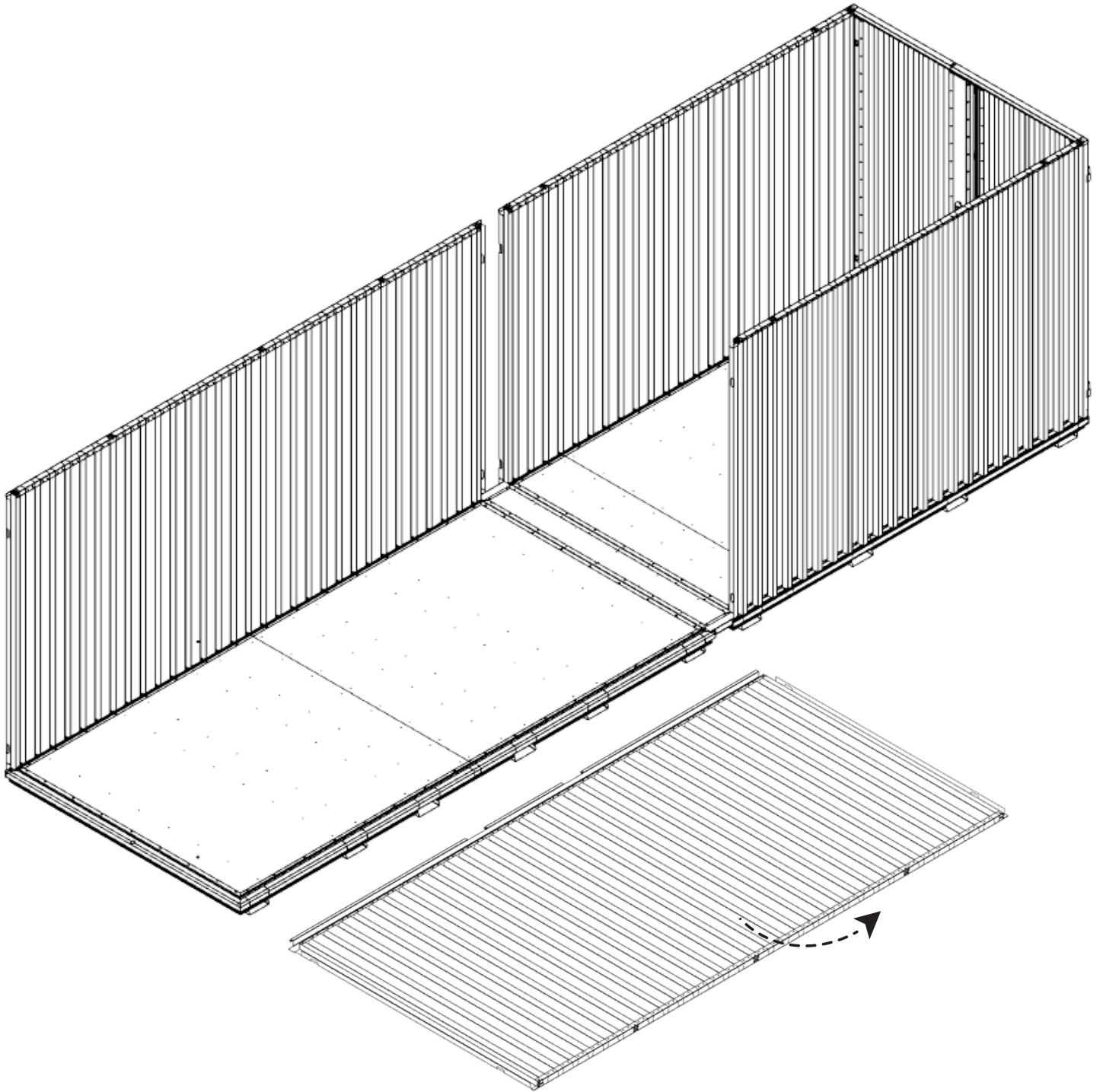
# 4.1



5

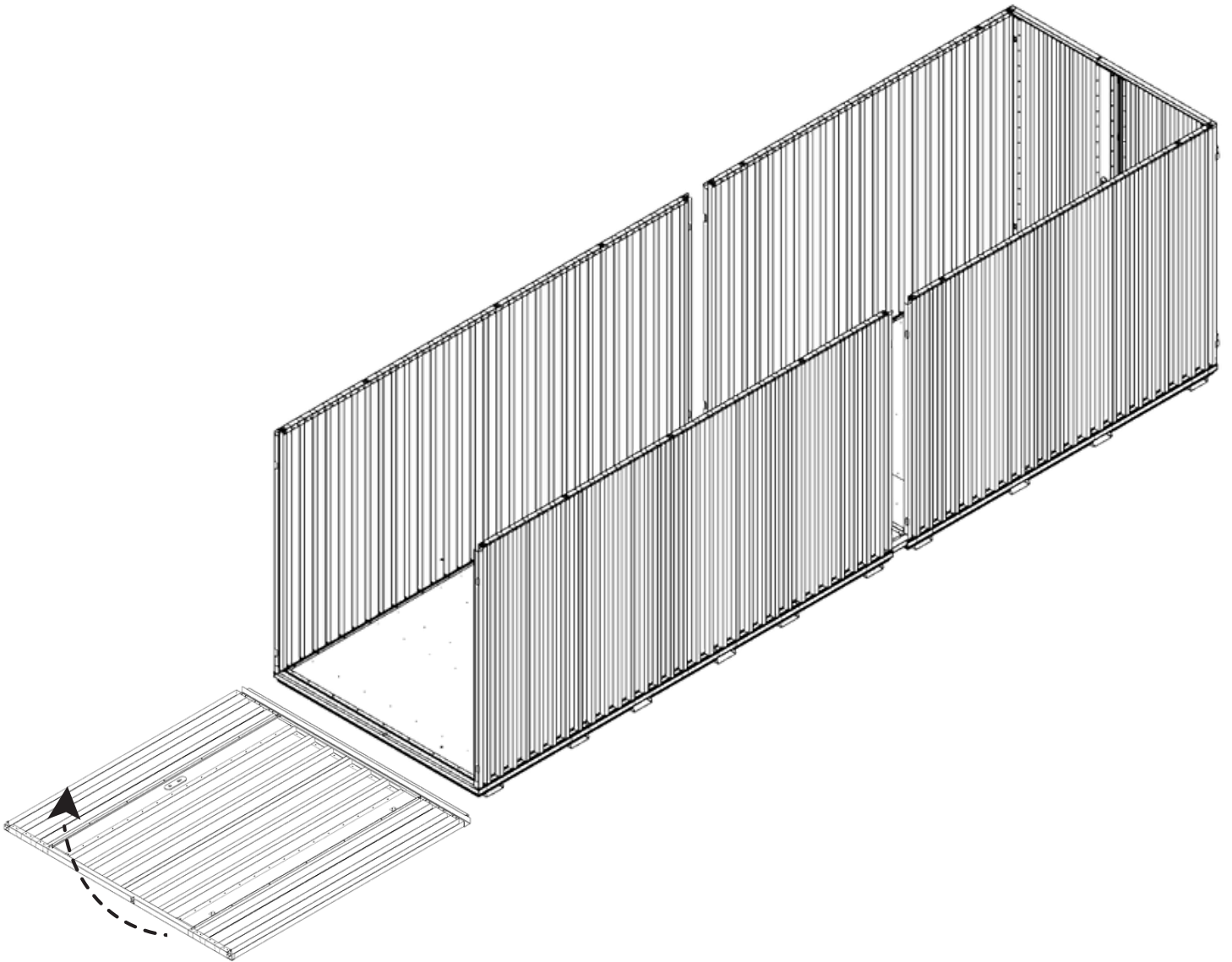


6

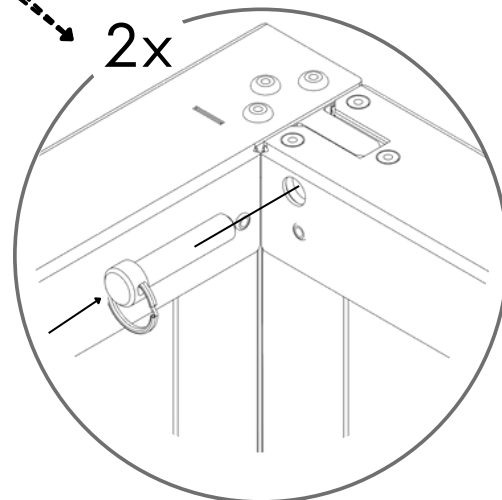
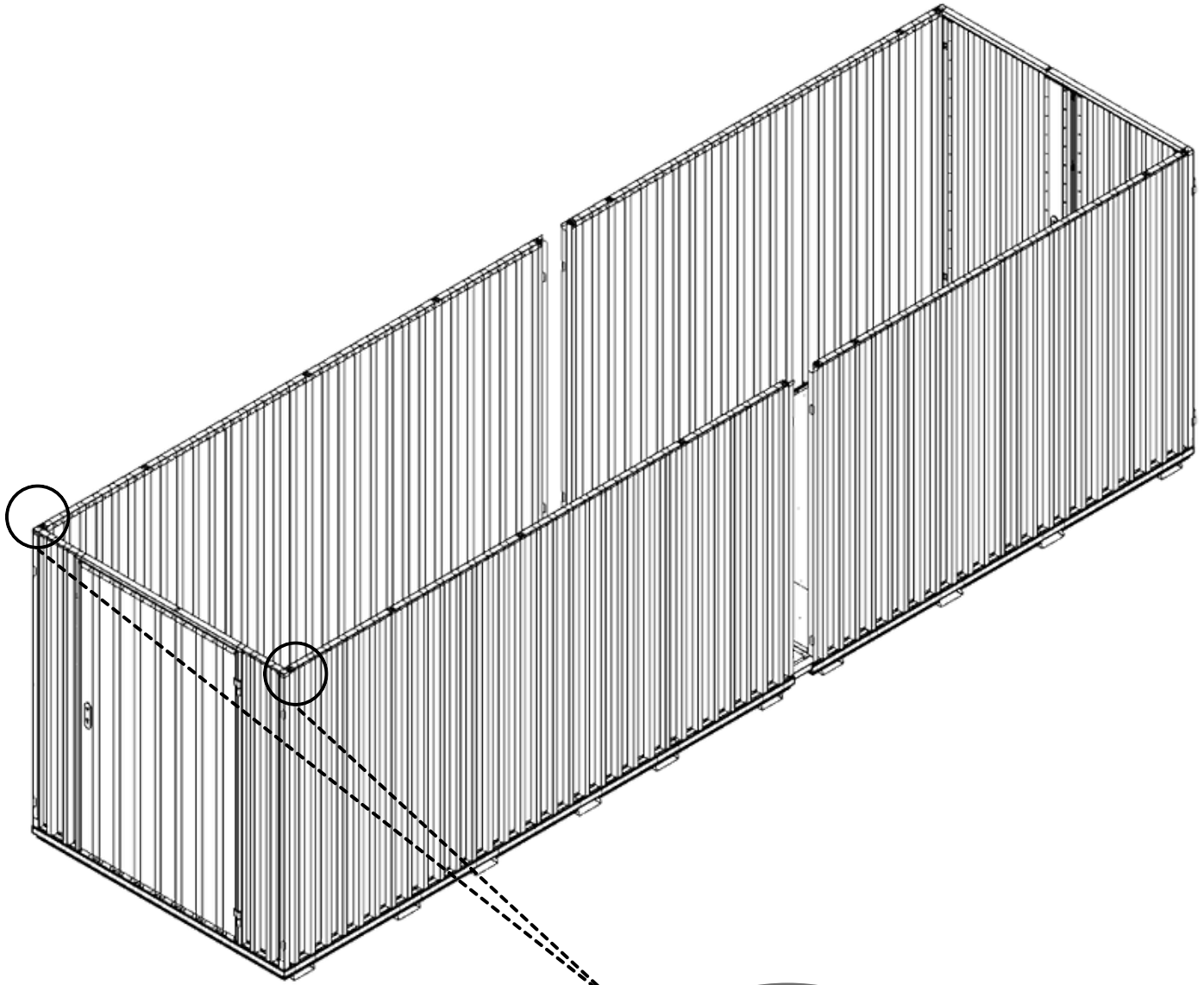




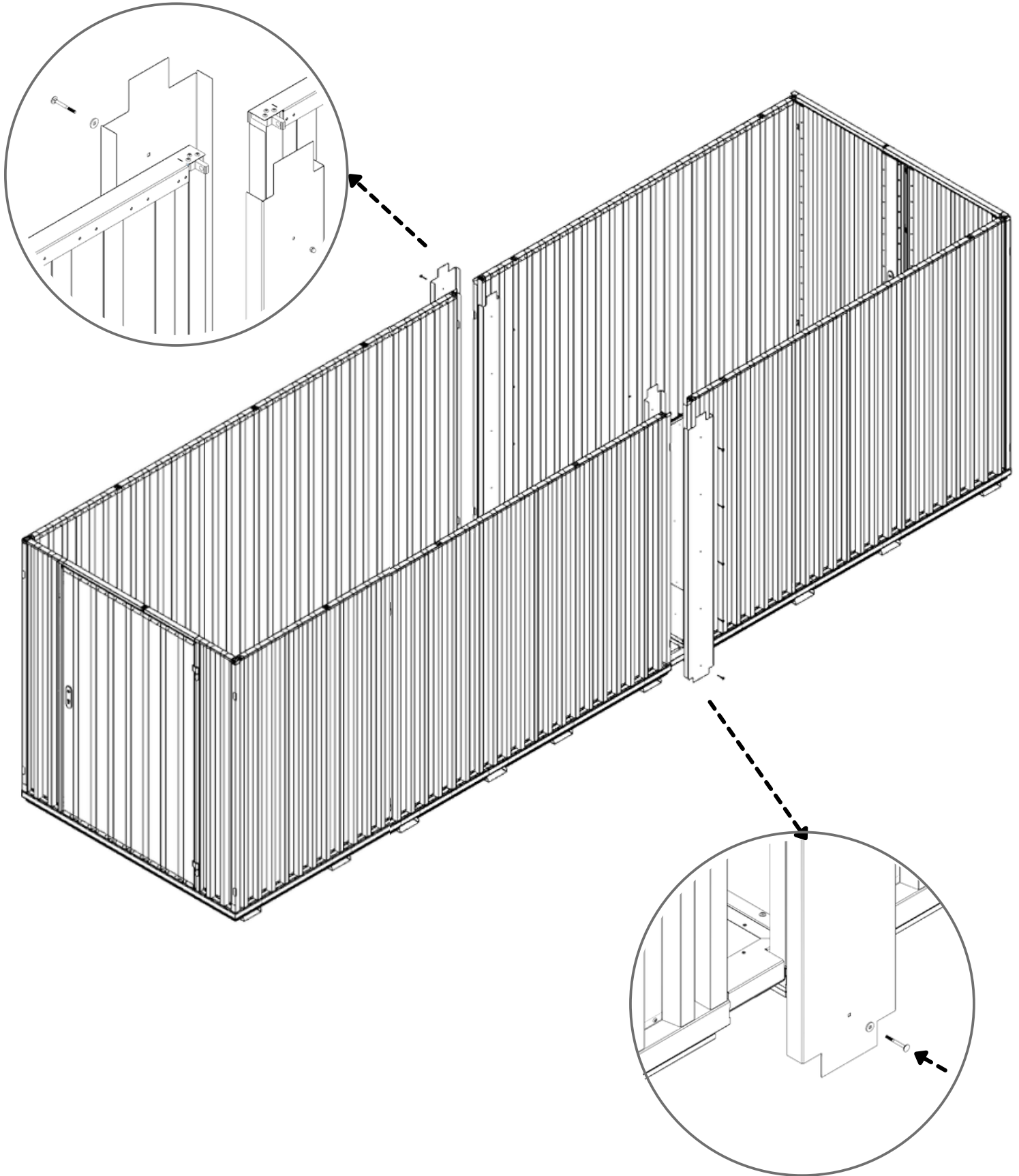
7



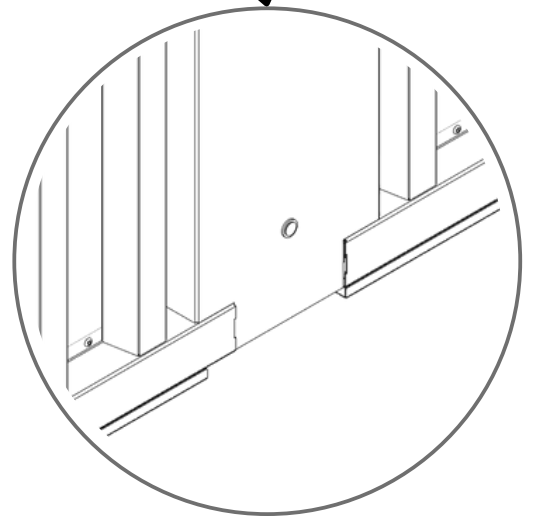
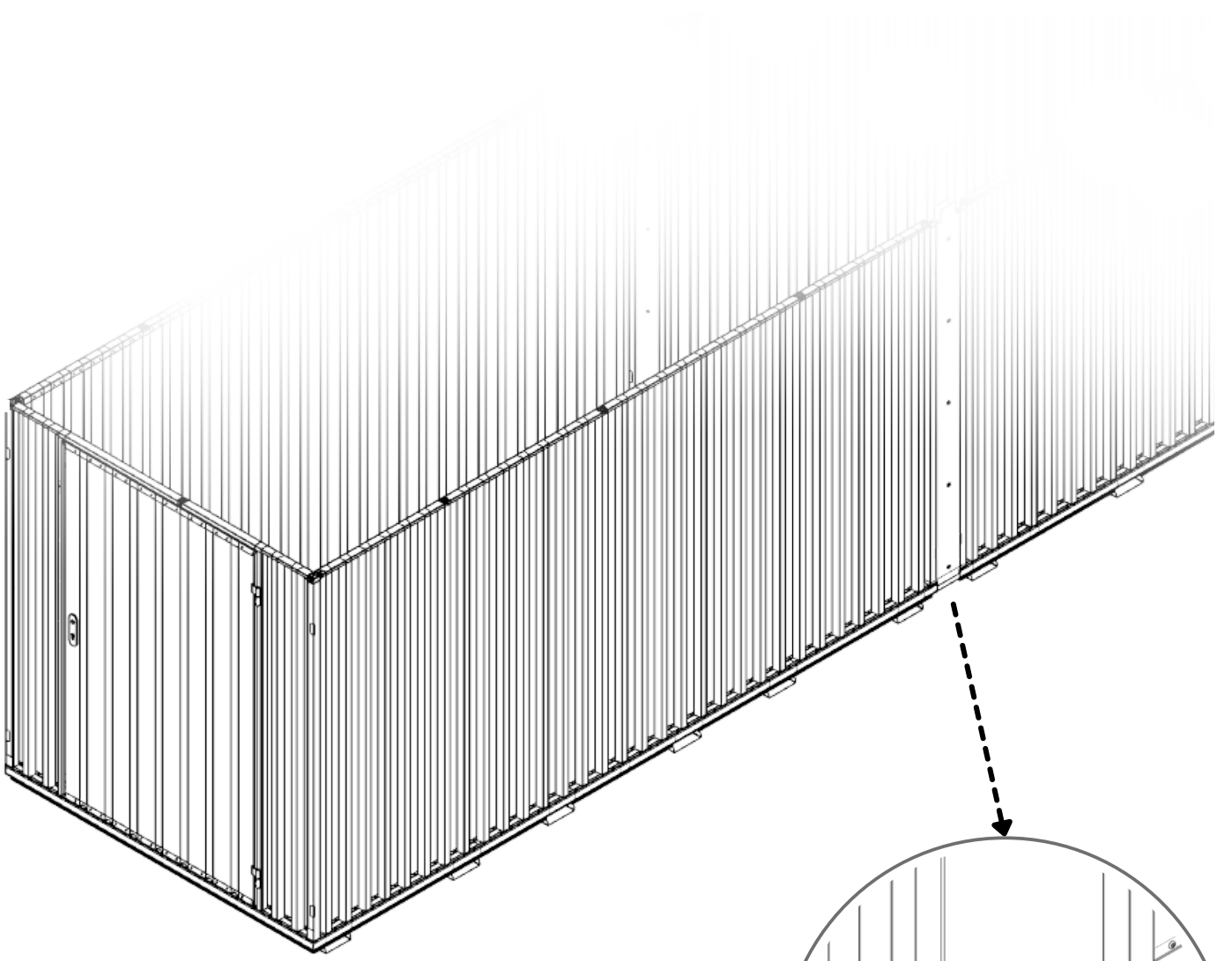
# 7.1



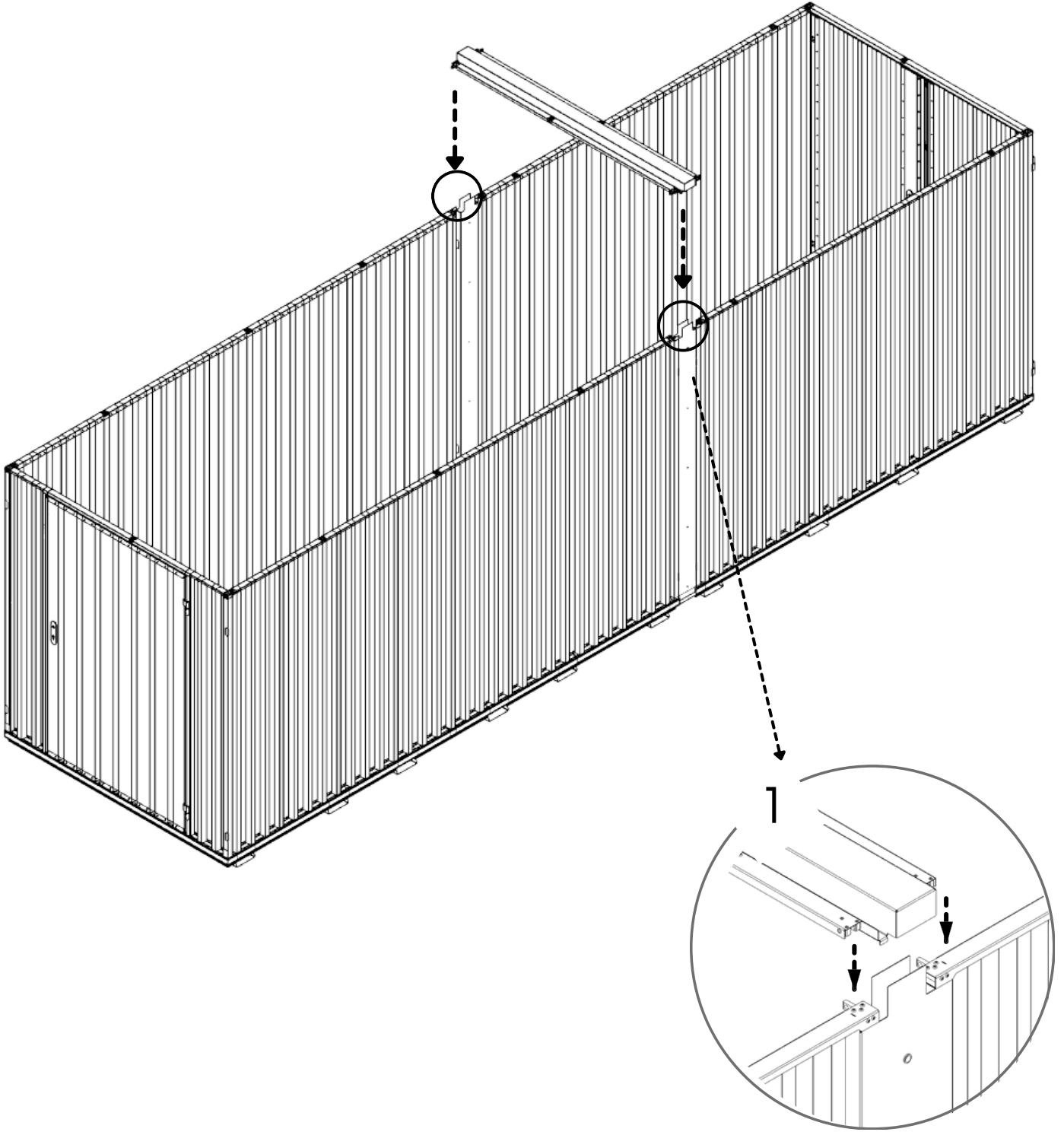
8



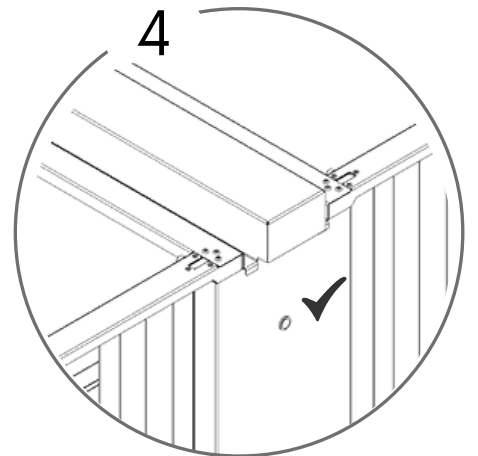
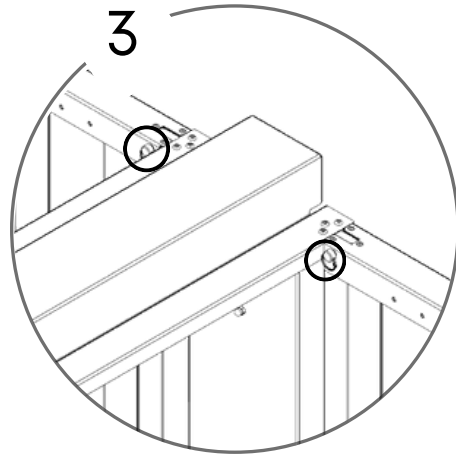
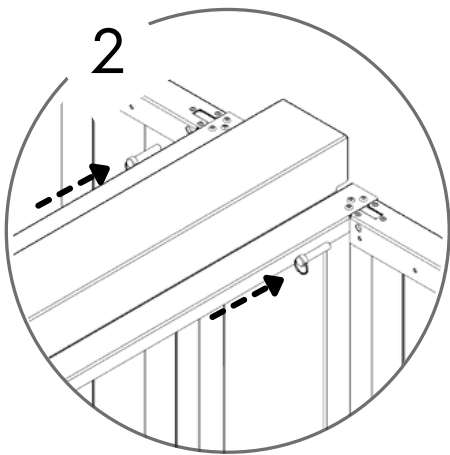
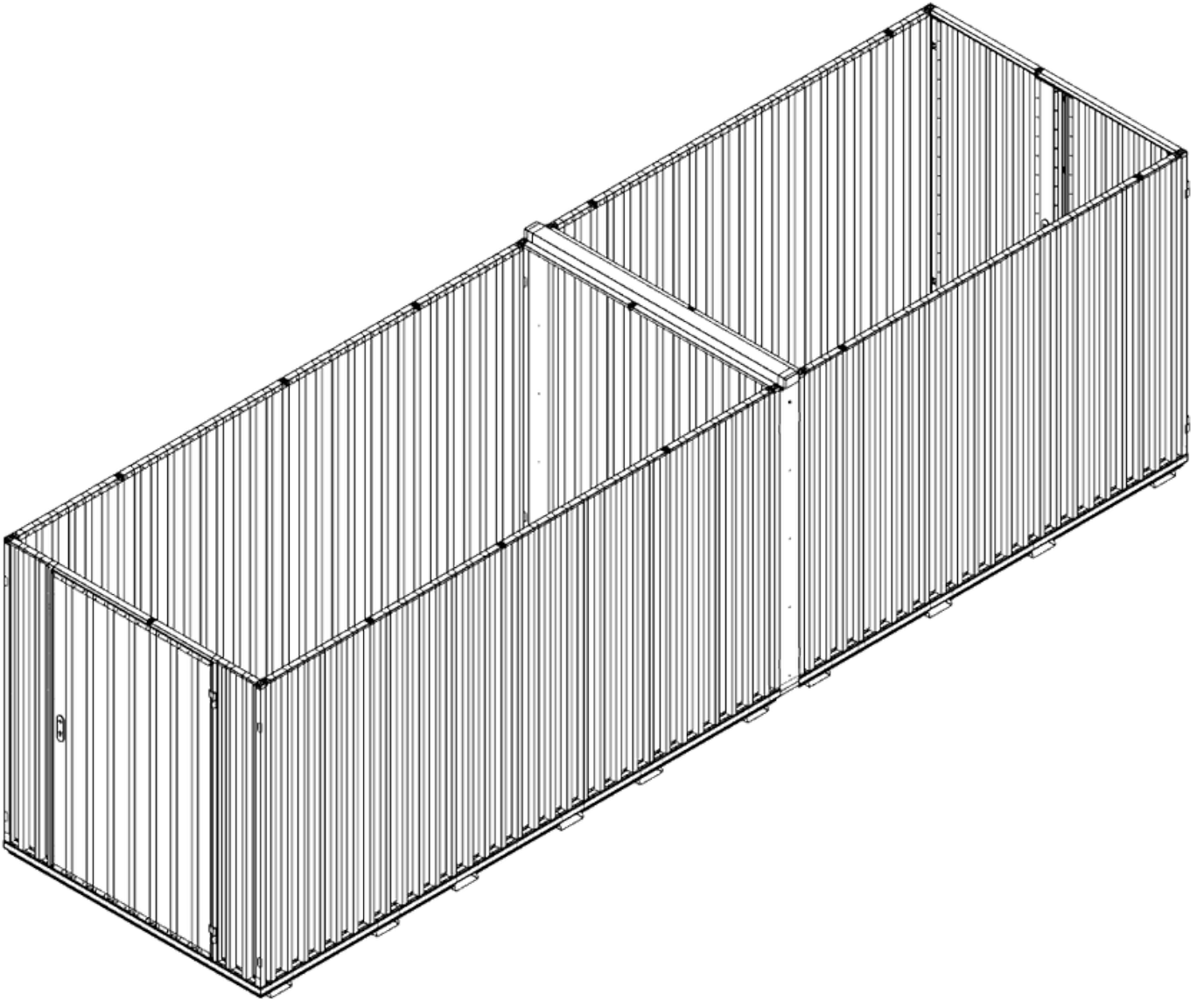
9











# 10

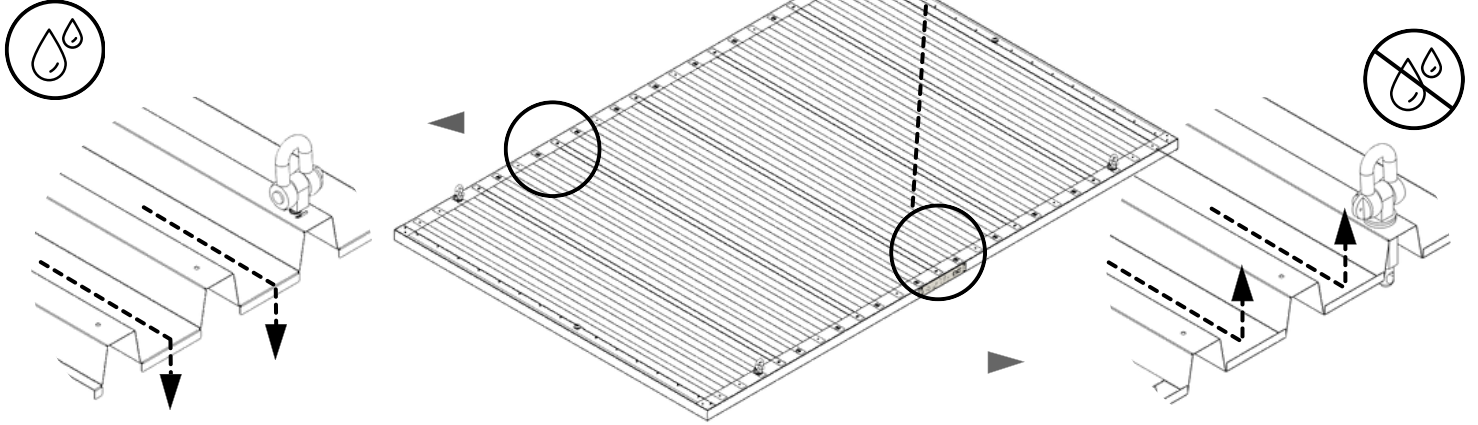


# 11

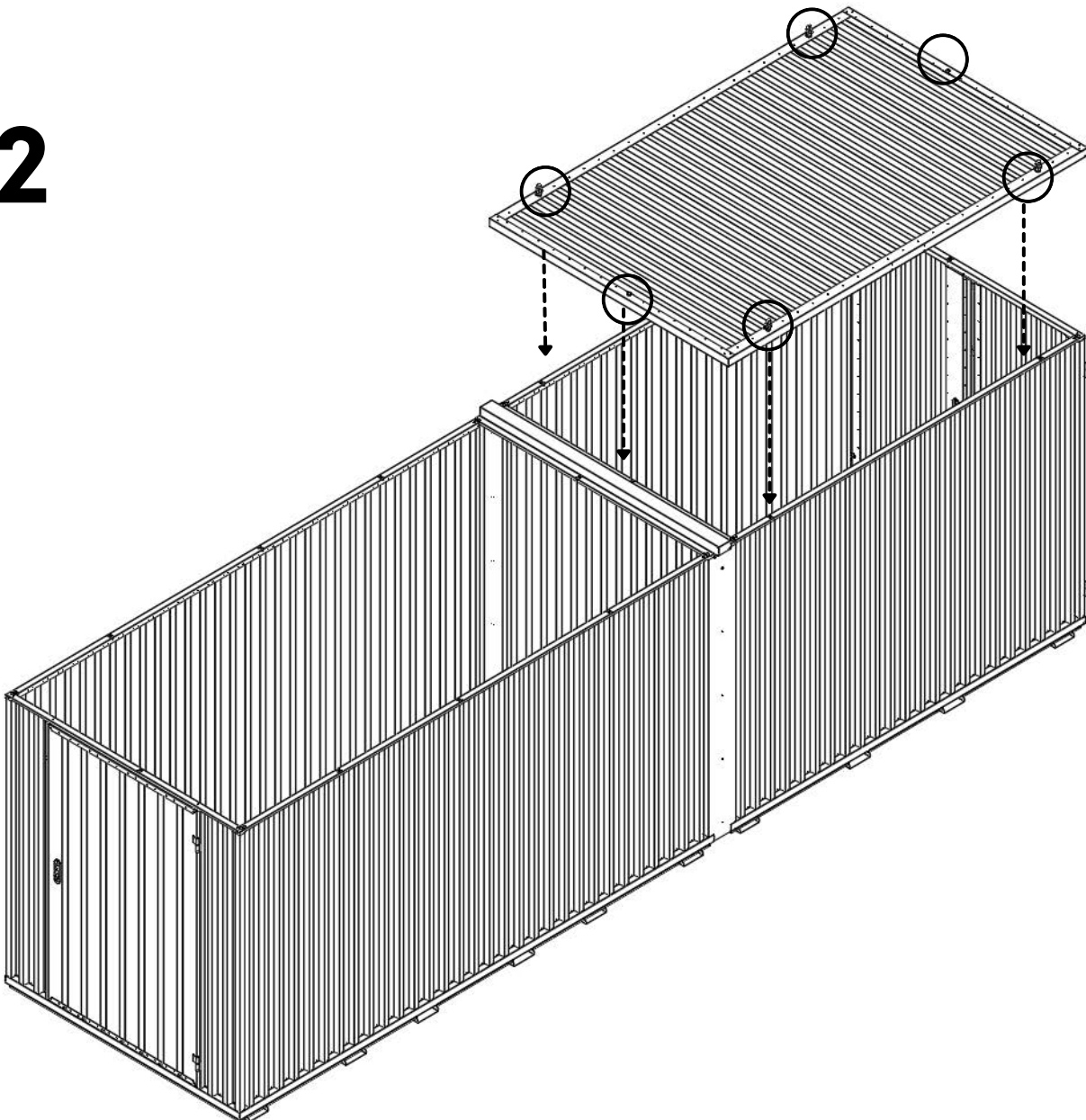




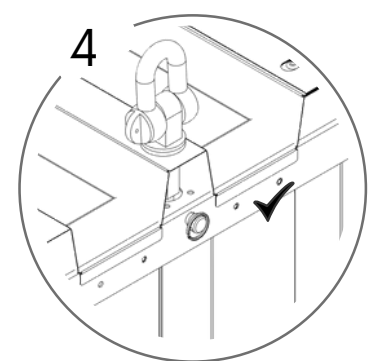
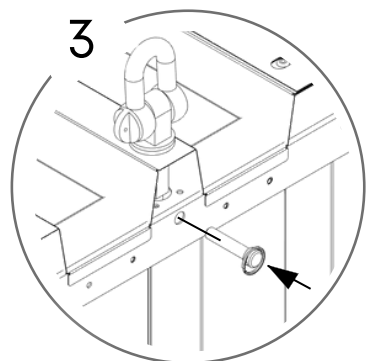
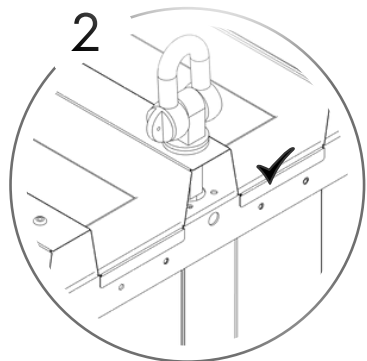
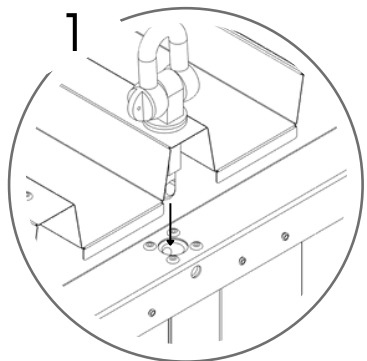
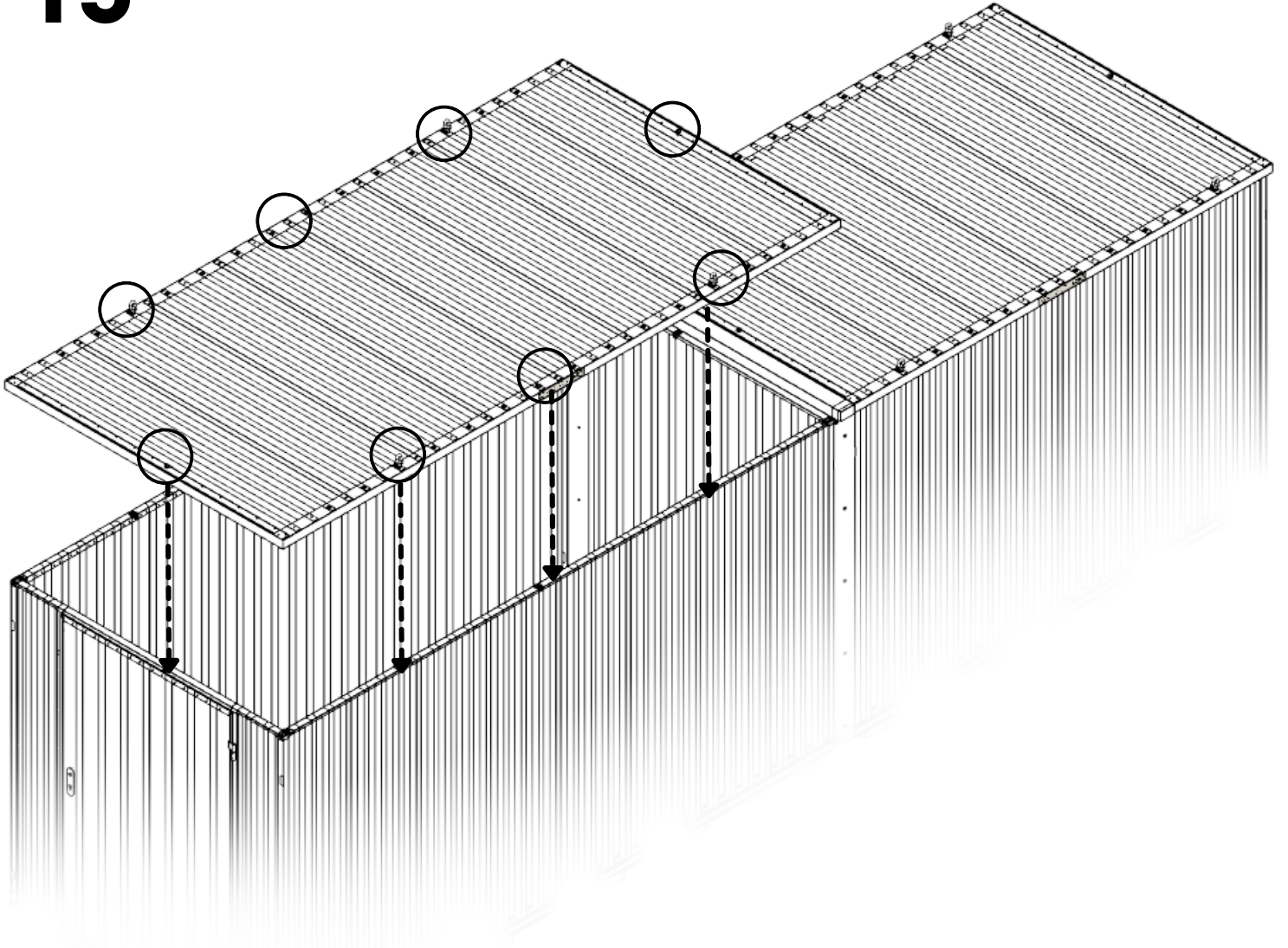
 737 KG	 1640 MM	Model Code: 4030.110.320.331 Production Tracking Code: ...../X09.1.4030.320.331    9001 14001 50001	 	
---	--	--	---	---



12

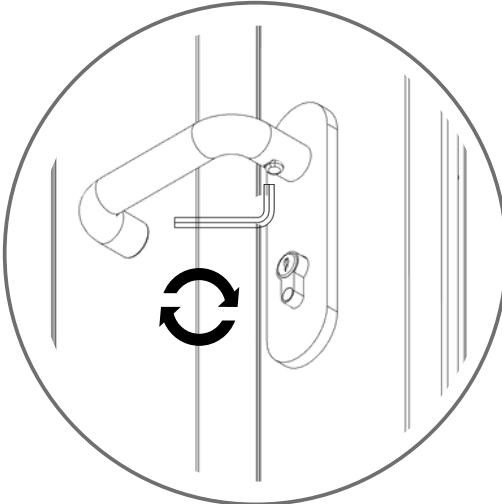
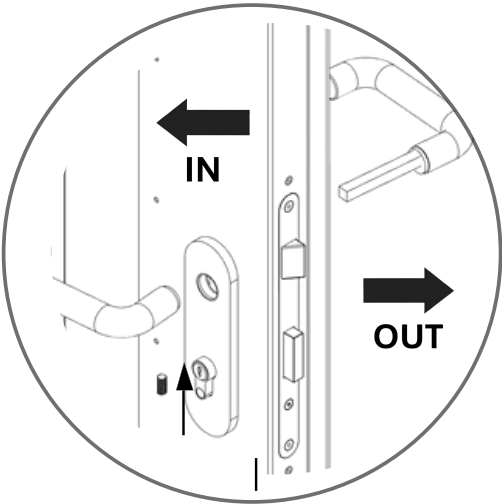
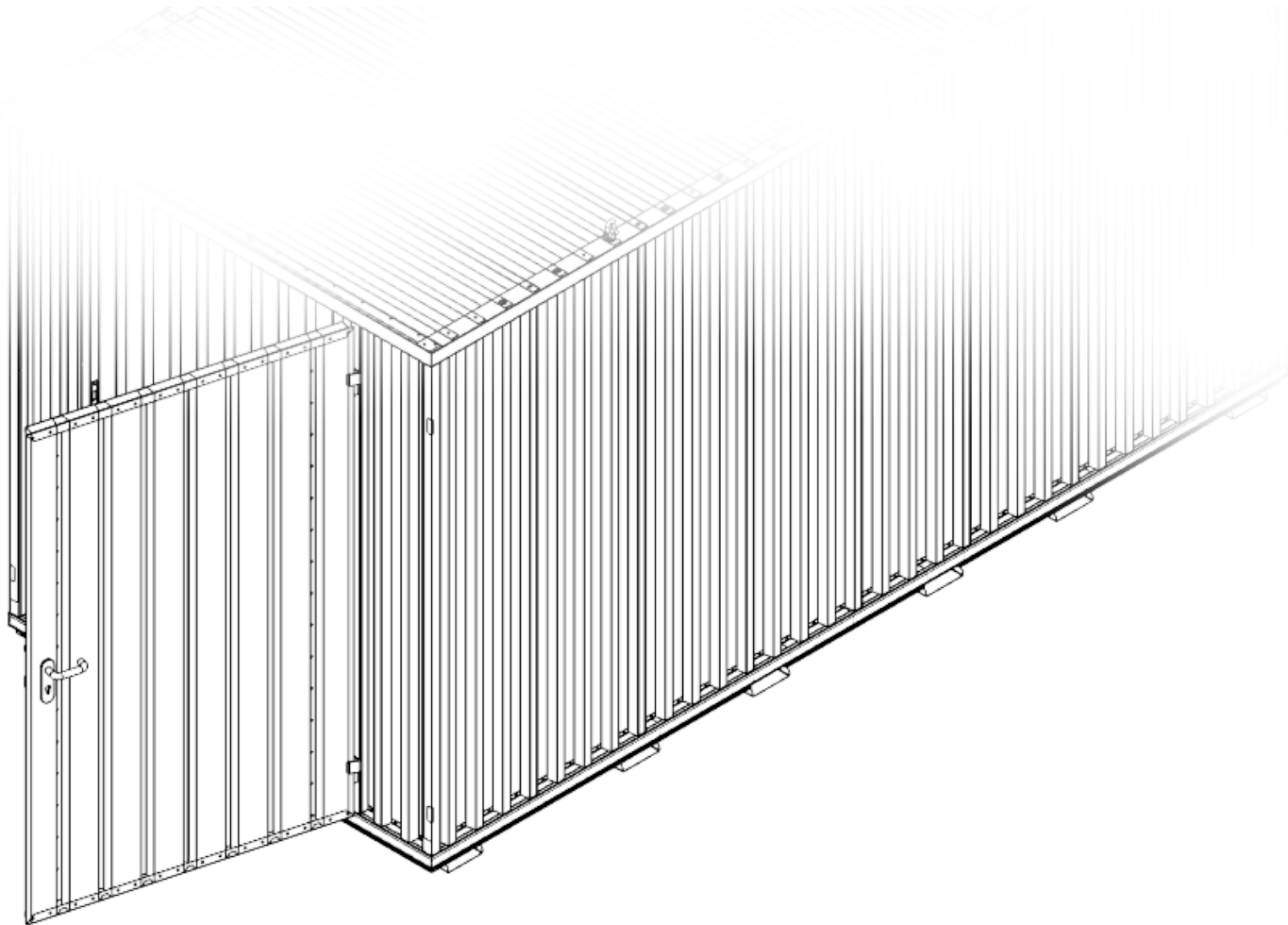


# 13





# 14



15

