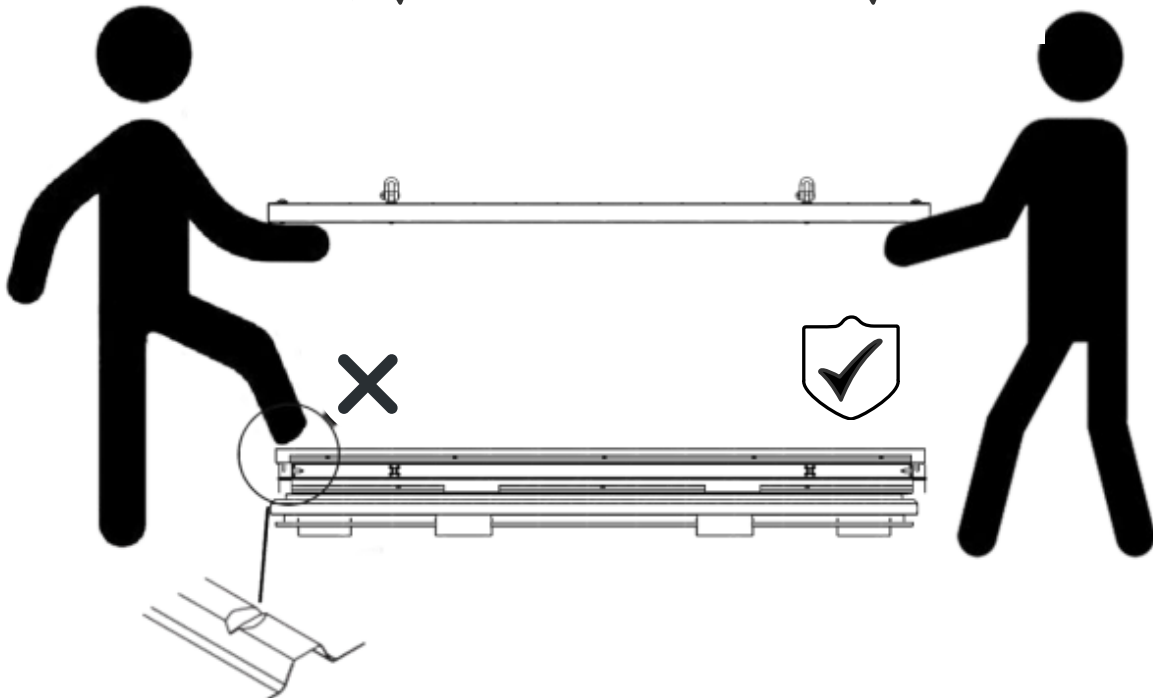
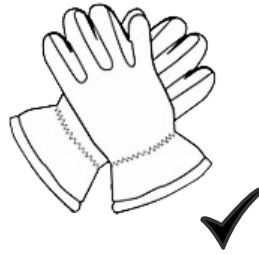
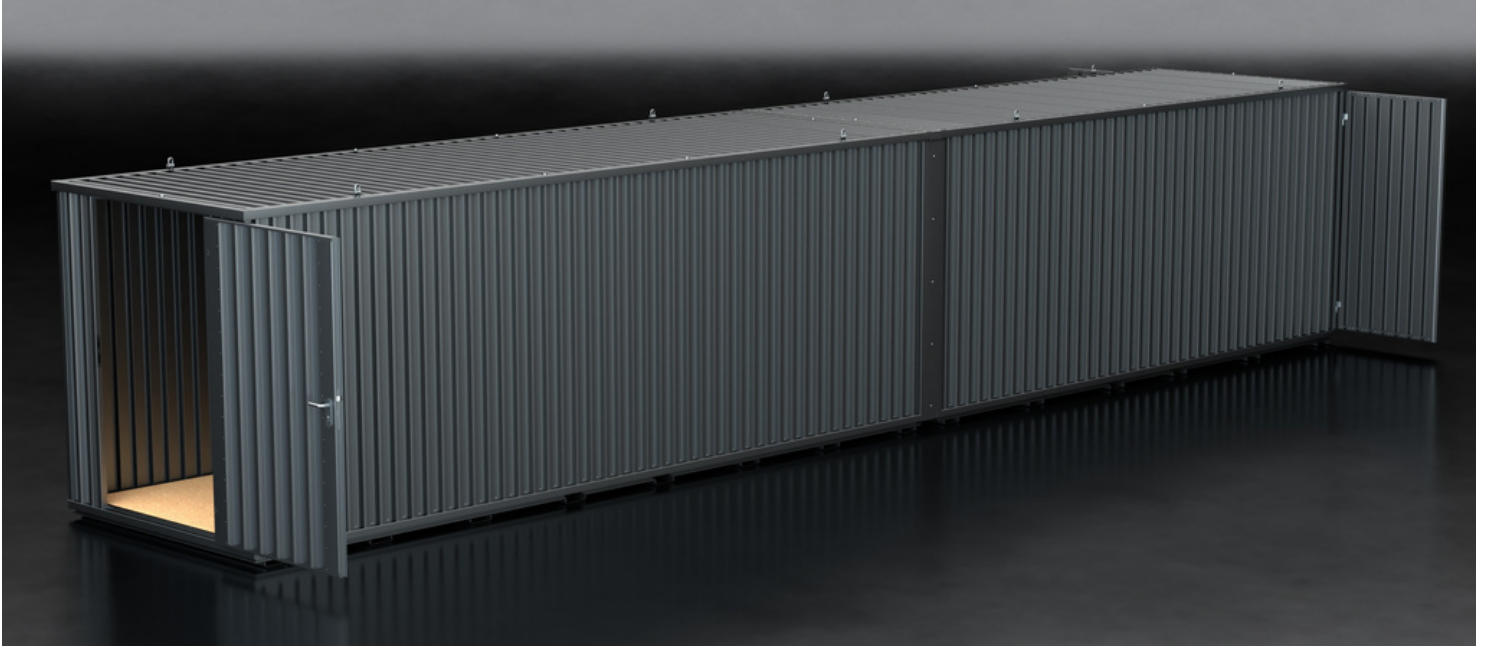


PRODUCT CODE:6050.110.320.331

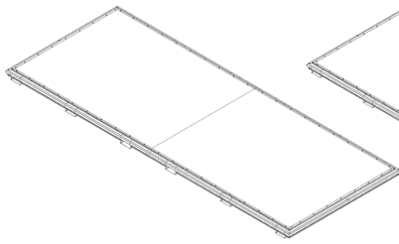
prefabase
Quick Build Solutions

Instructions and User Guide



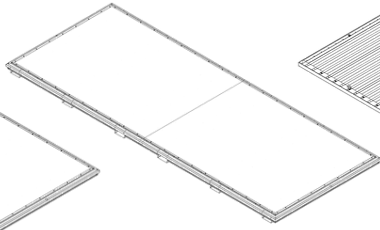
60.0110

1x



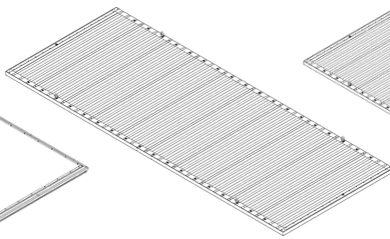
50.0110

1x



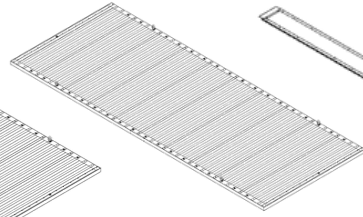
60.0510

1x



50.0510

1x



306.0110

1x



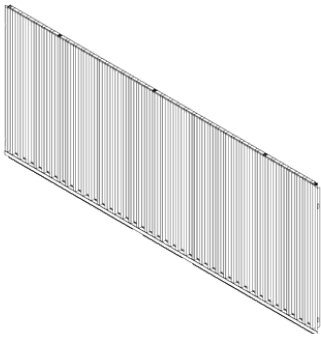
306.0510

1x



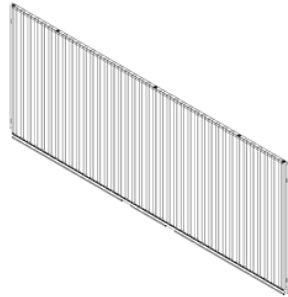
60.0410

2x



50.0410

2x



0320

1x



0330

1x



306.40.05

2x



306.40.04

2x

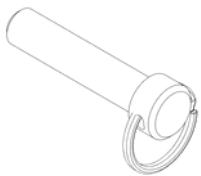


61.101

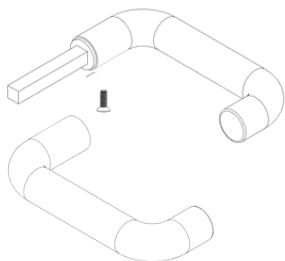
2x



26x



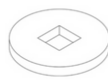
2x



10x



10x



10x



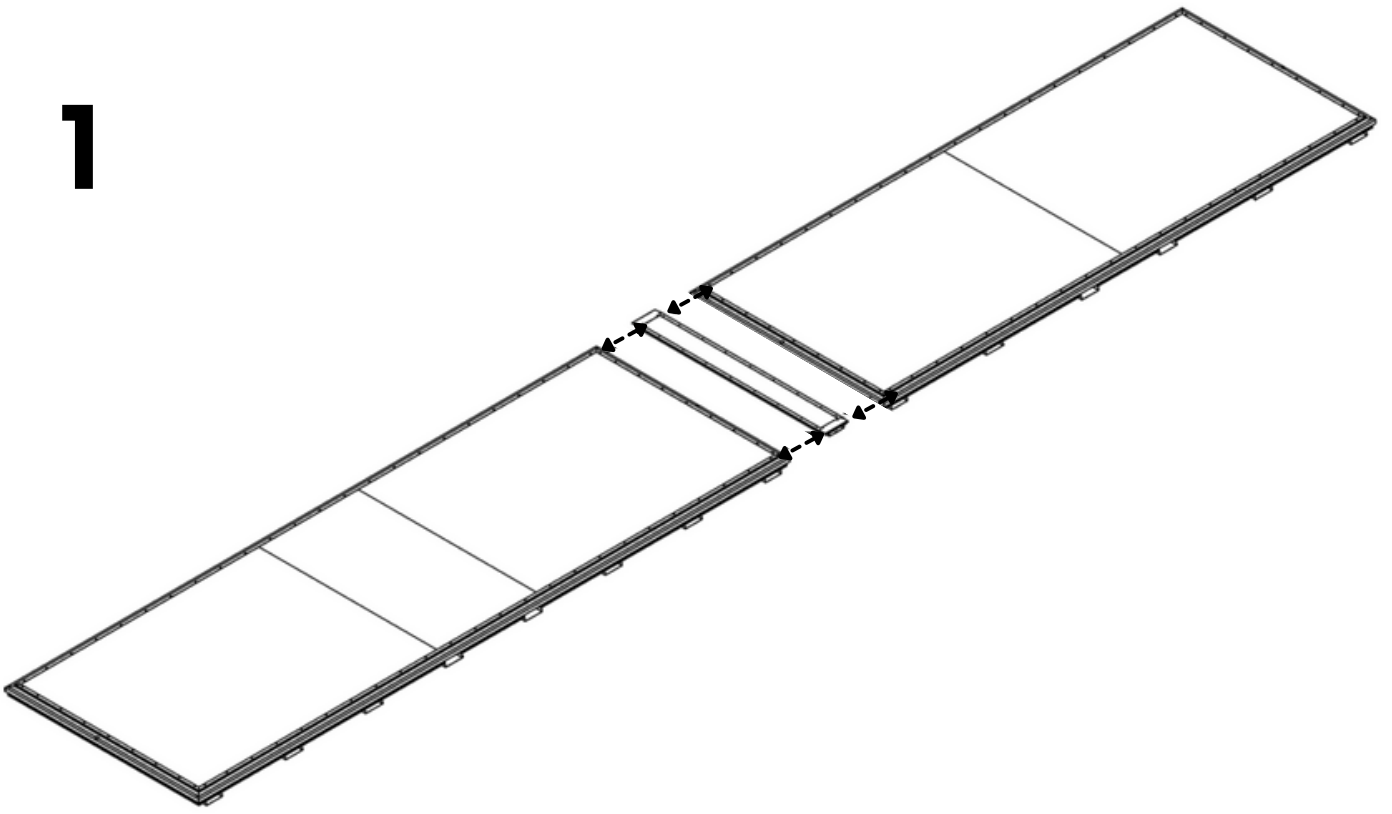
1x



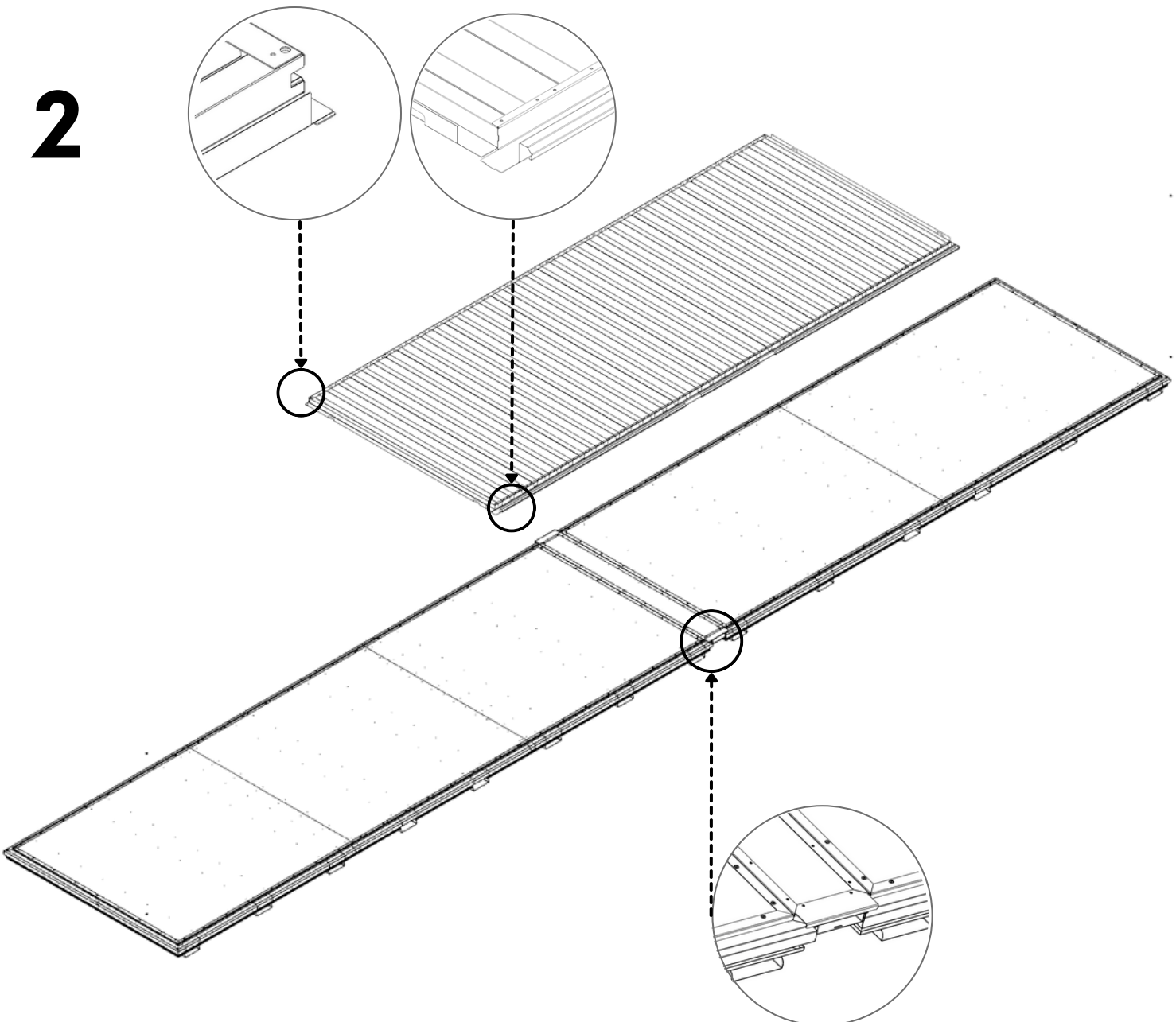
2x

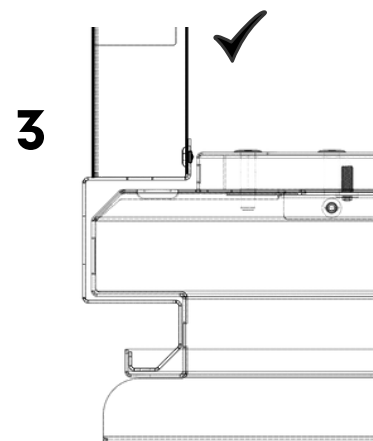
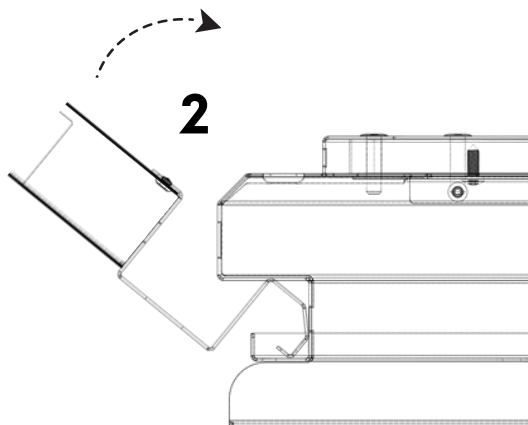
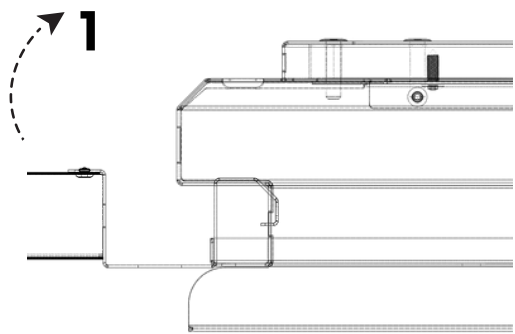


1

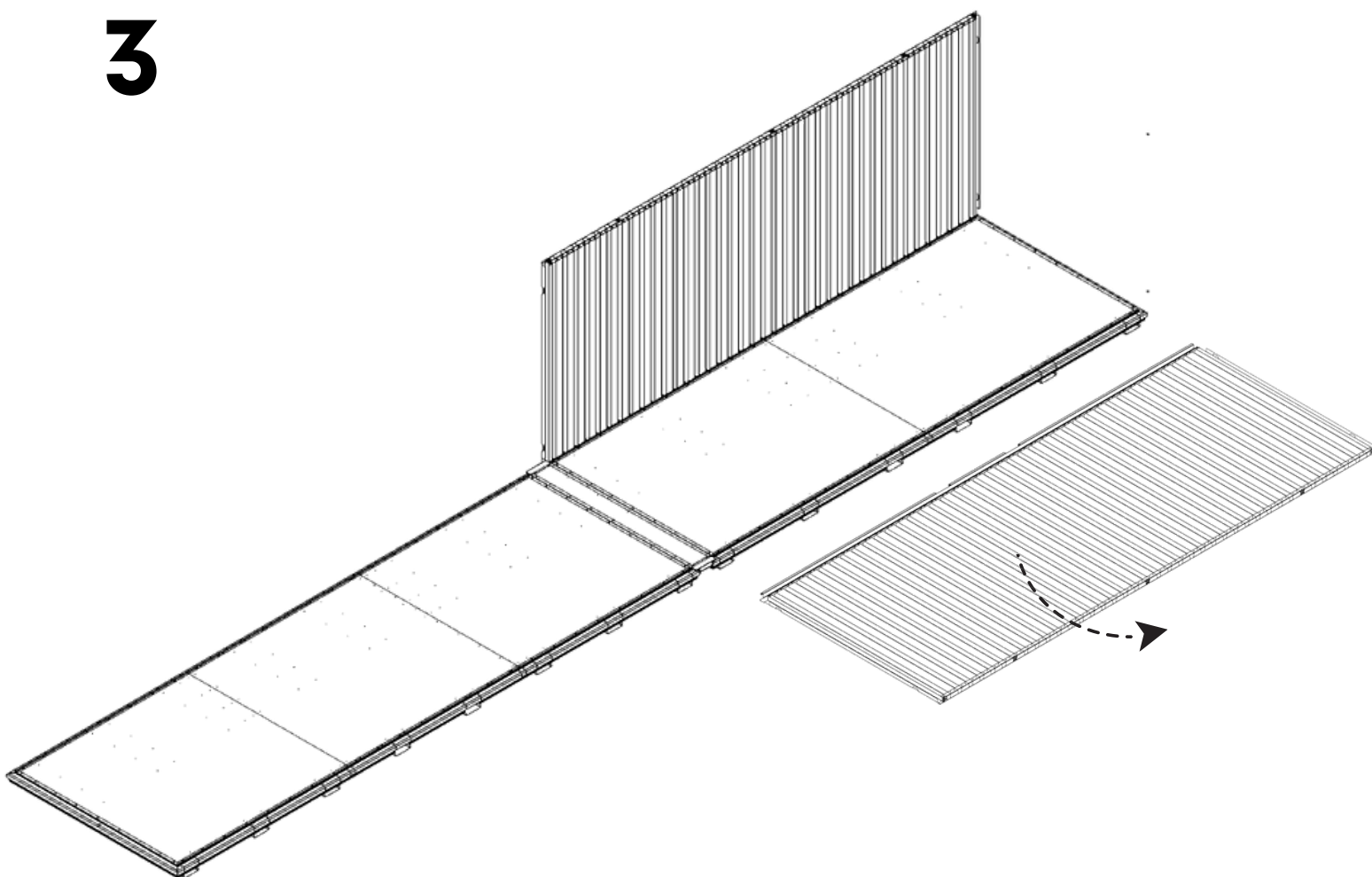


2

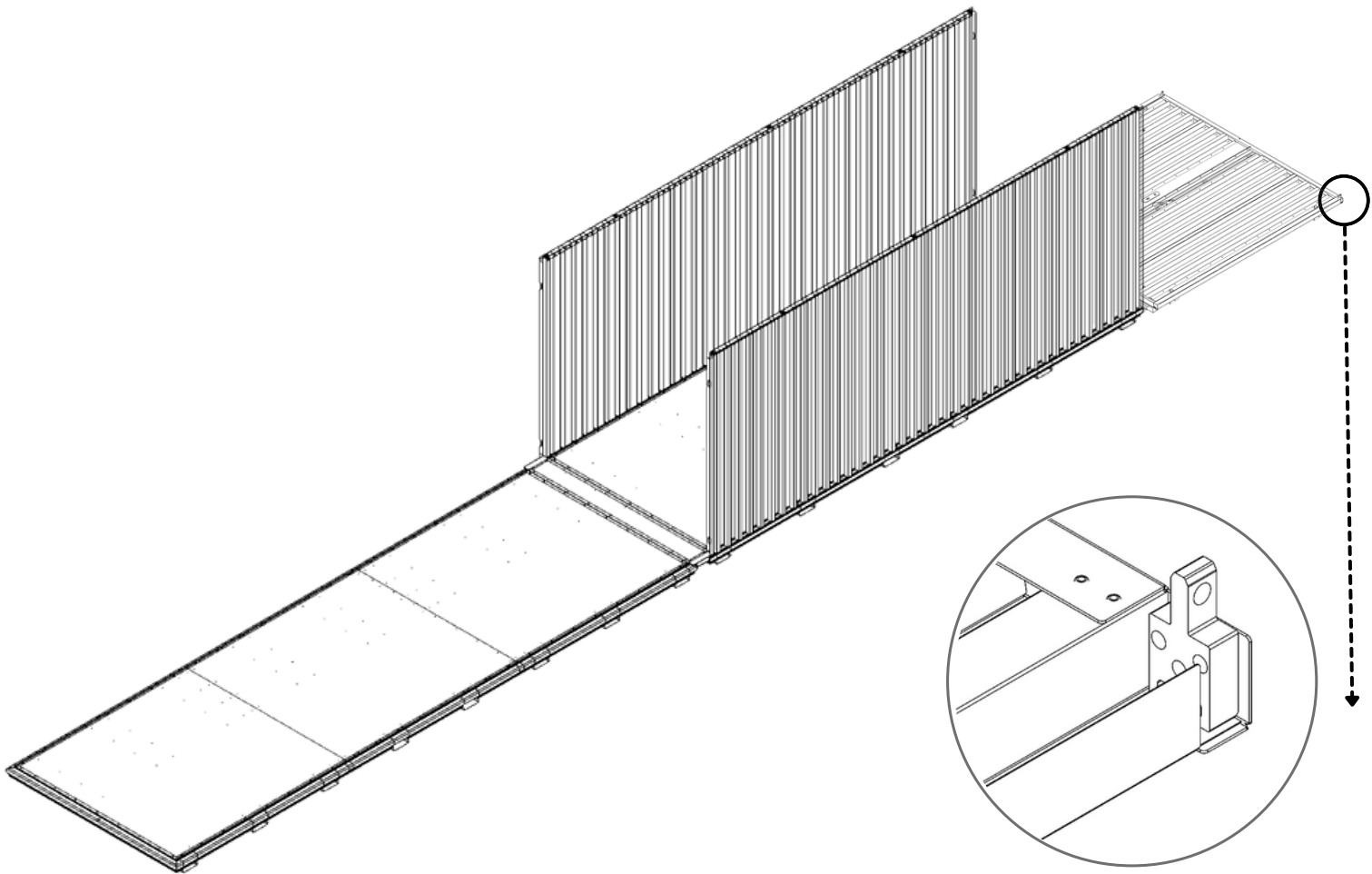




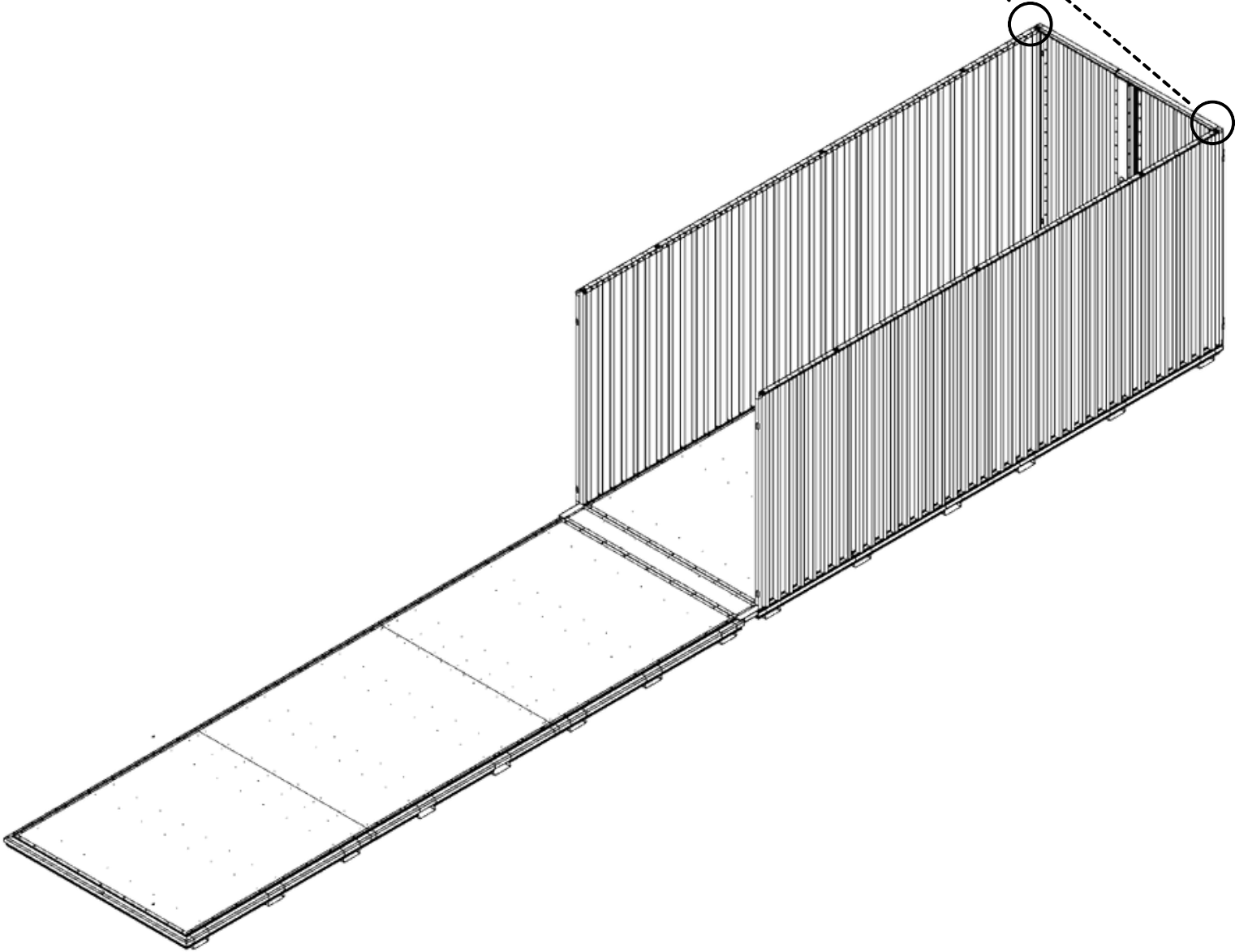
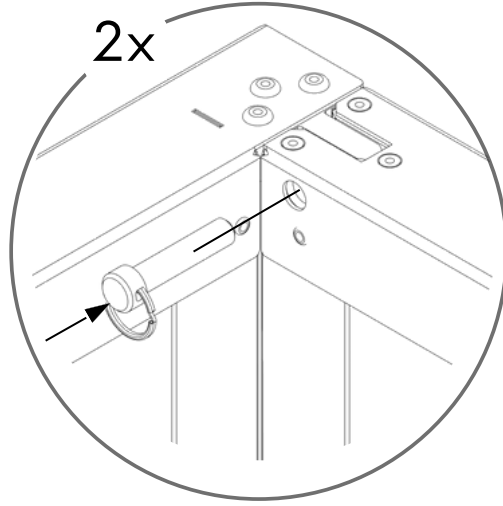
3



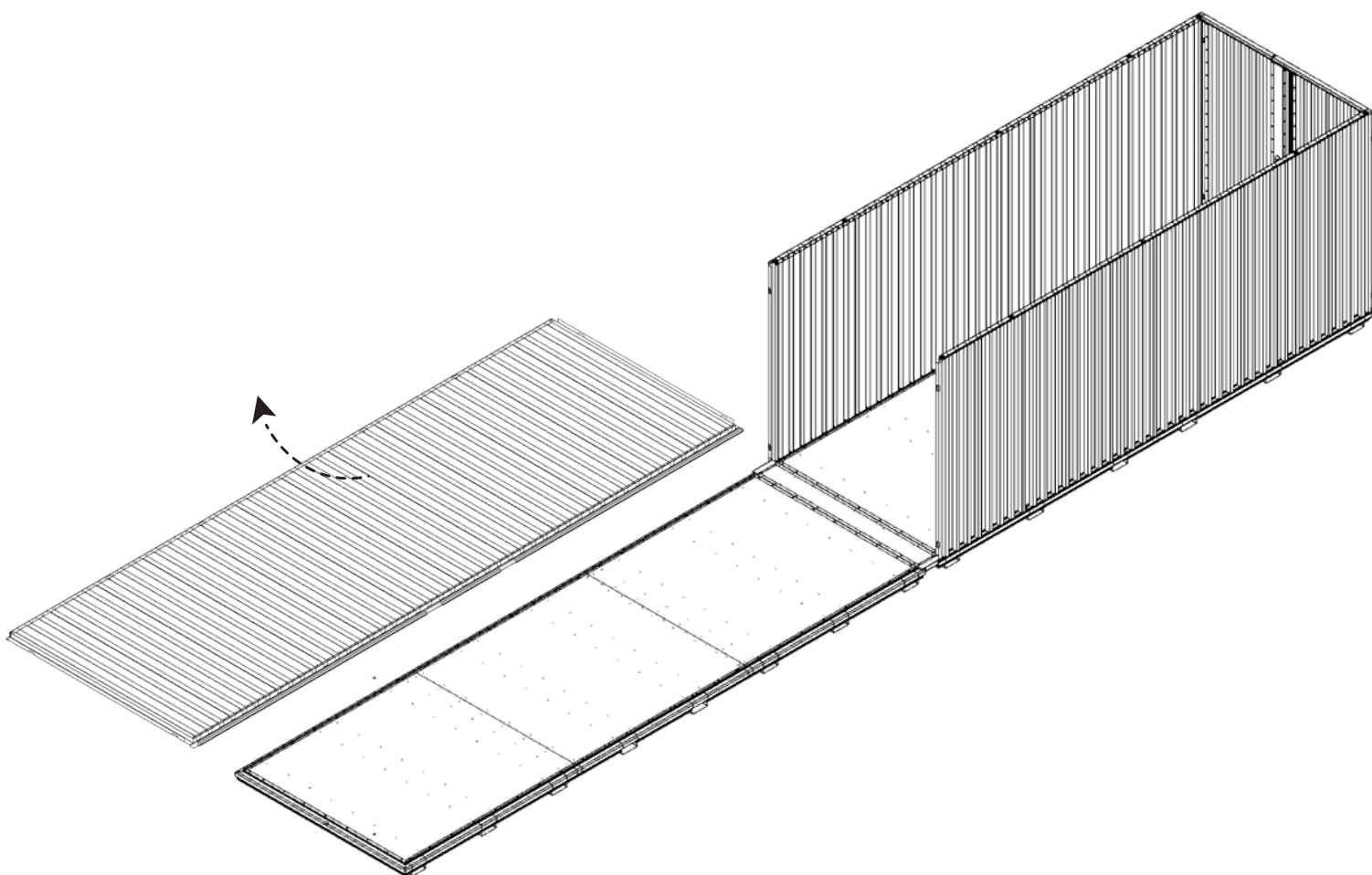
4



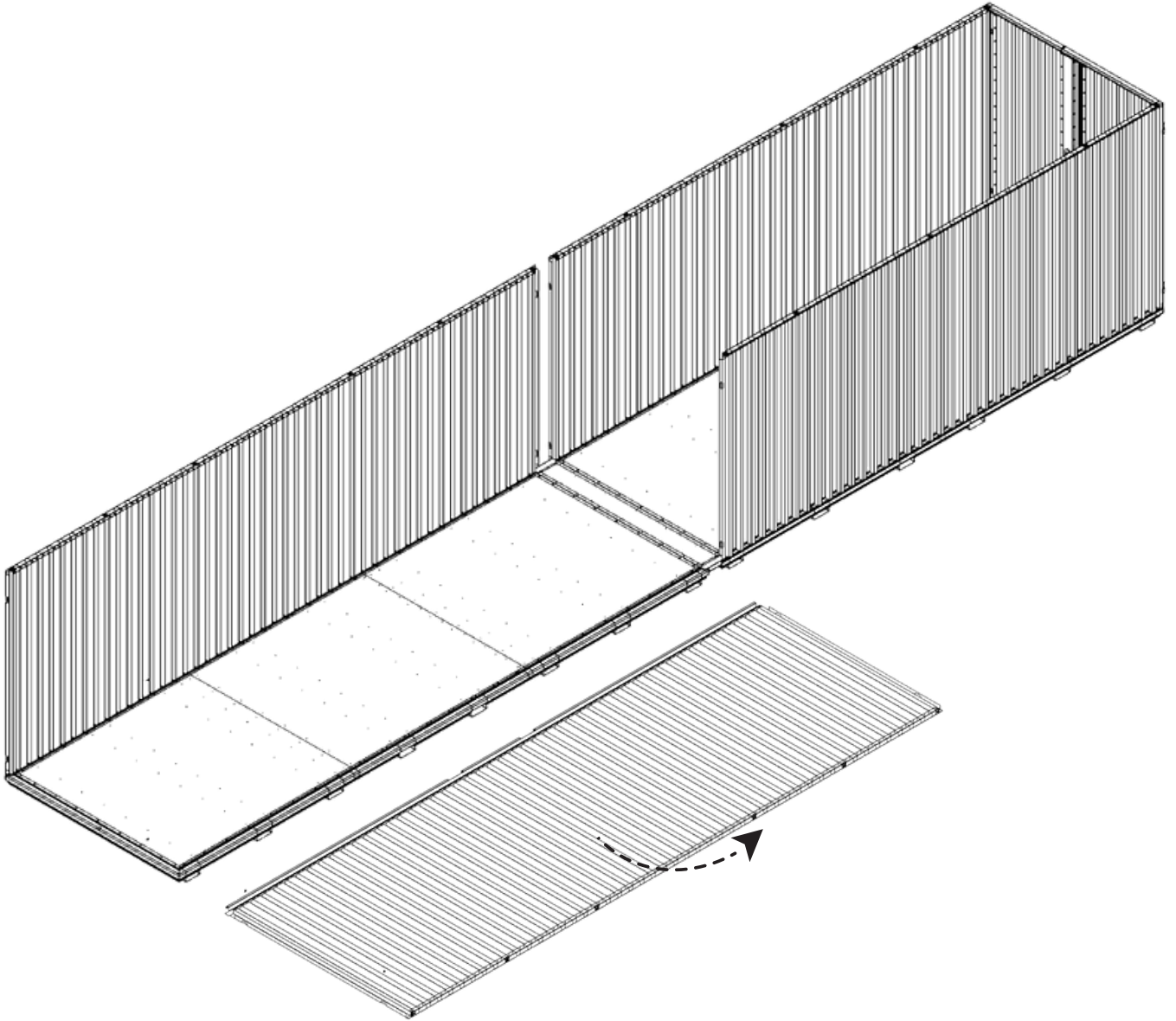
4.1



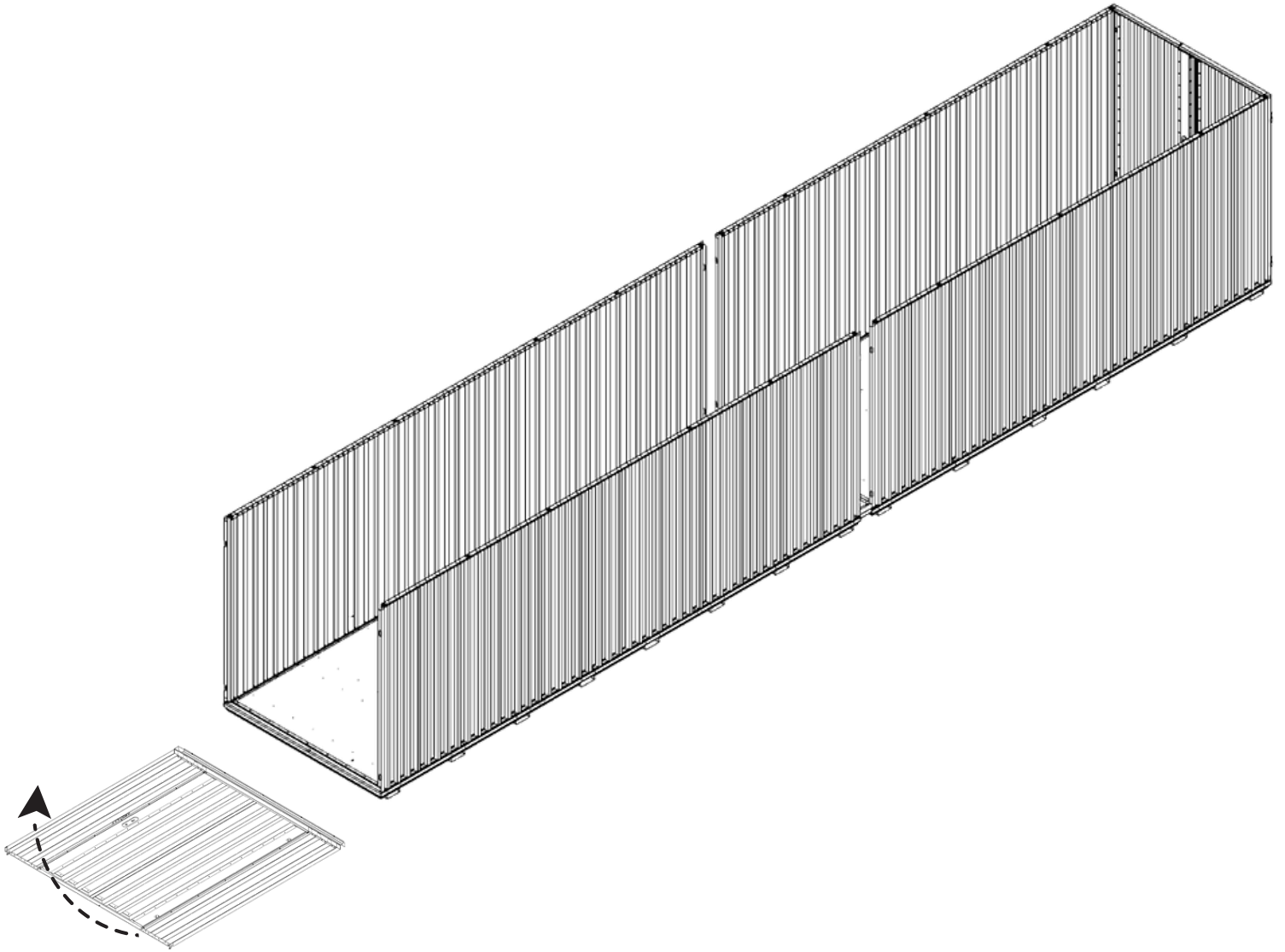
5



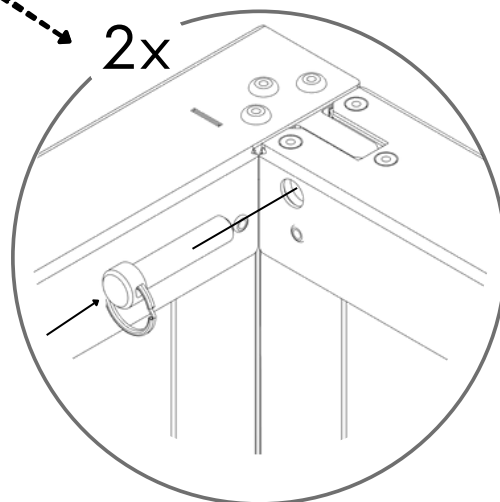
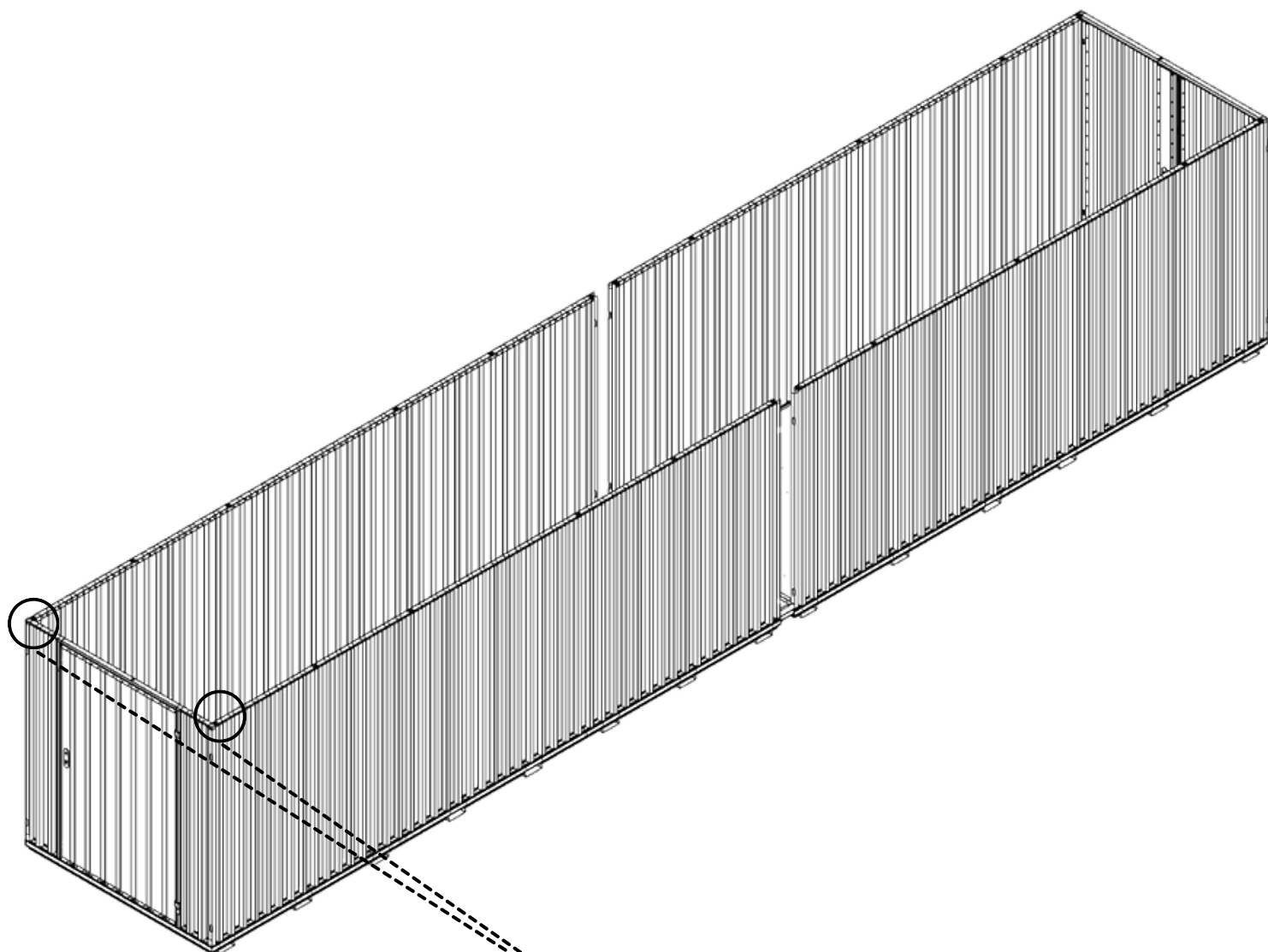
6



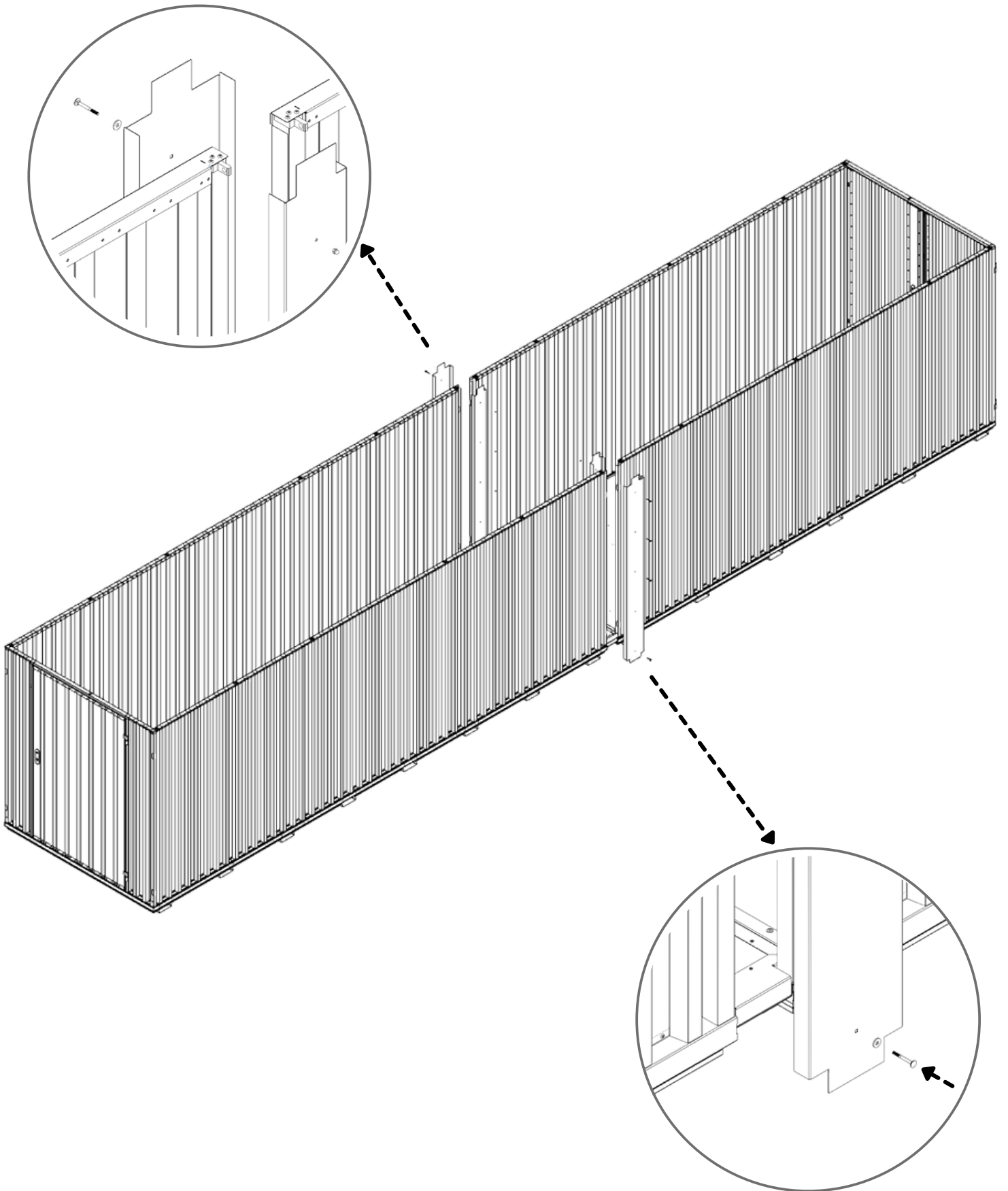
7



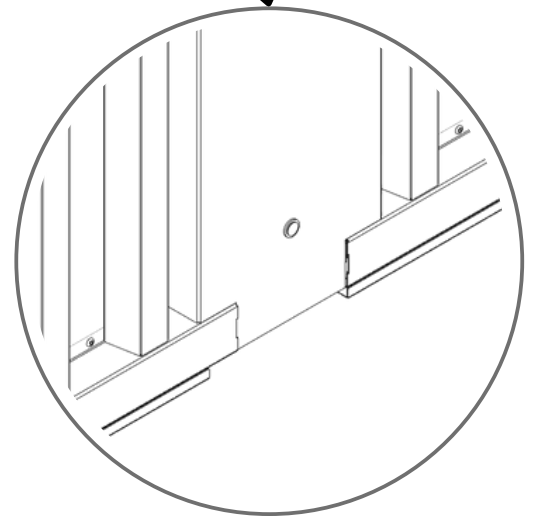
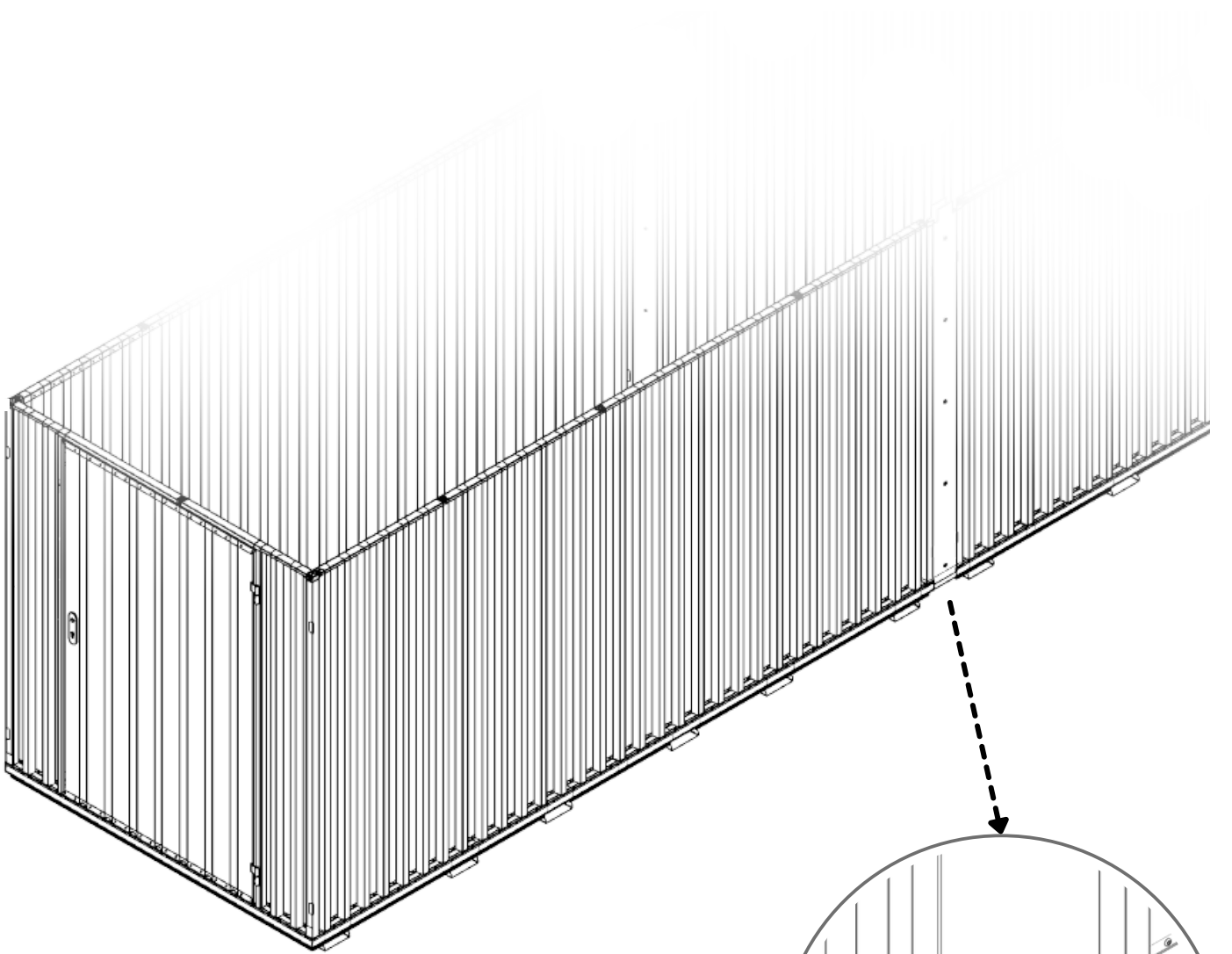
7.1



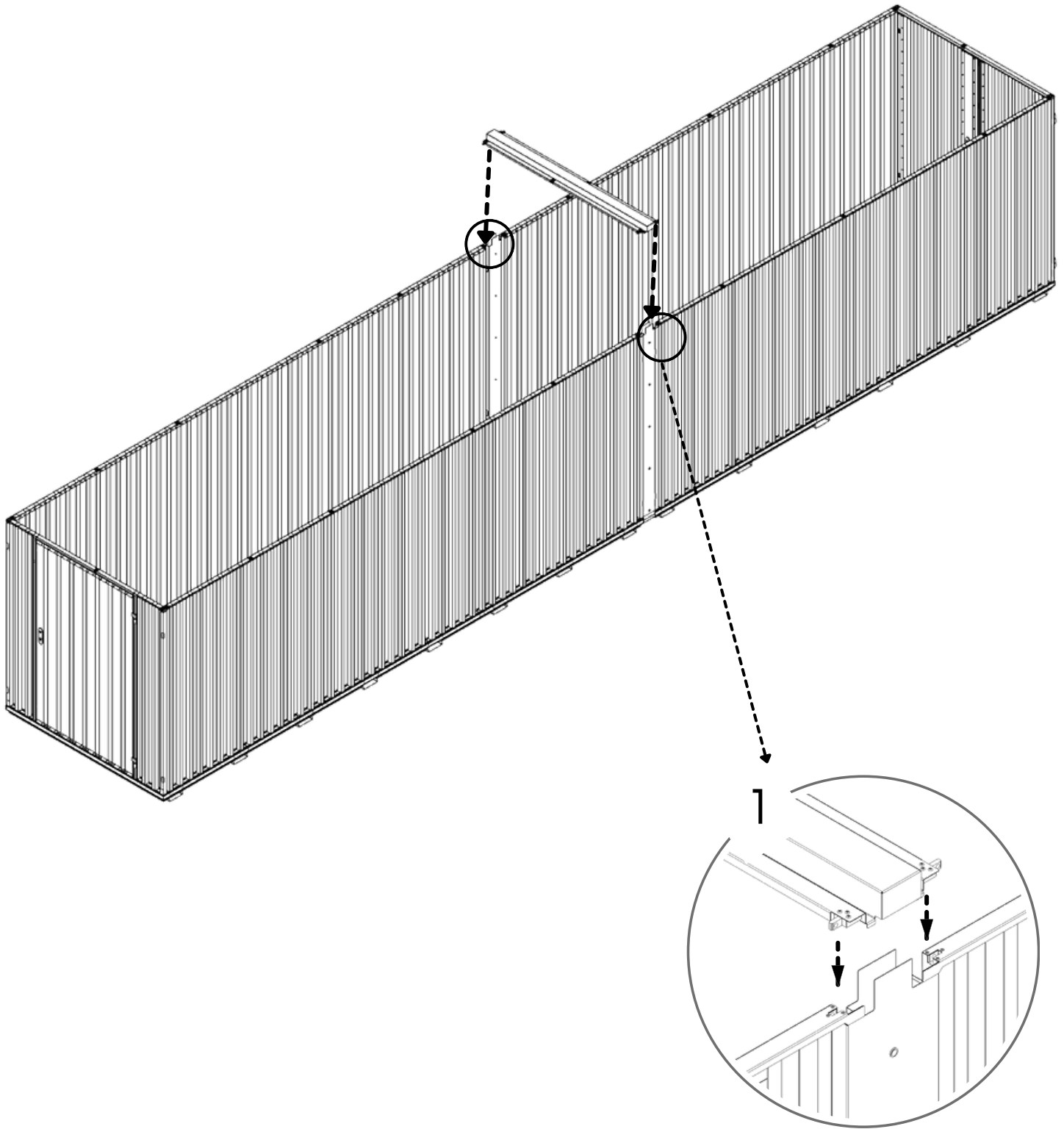
8



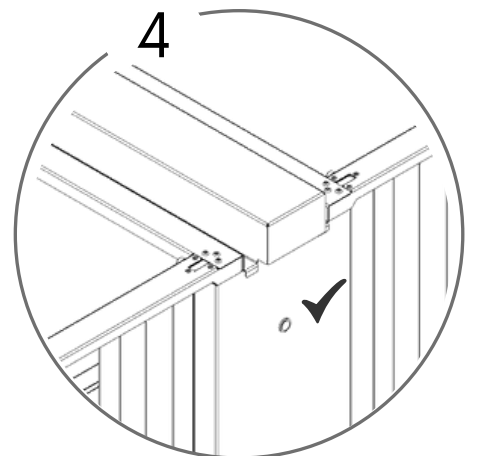
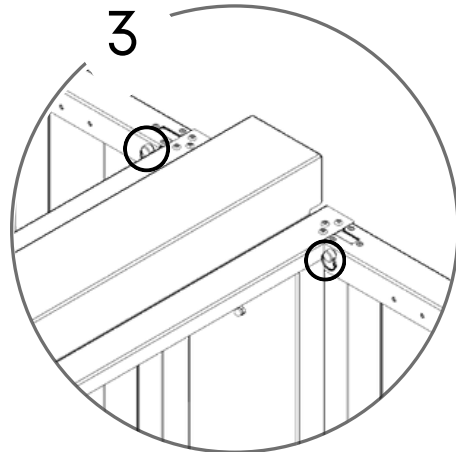
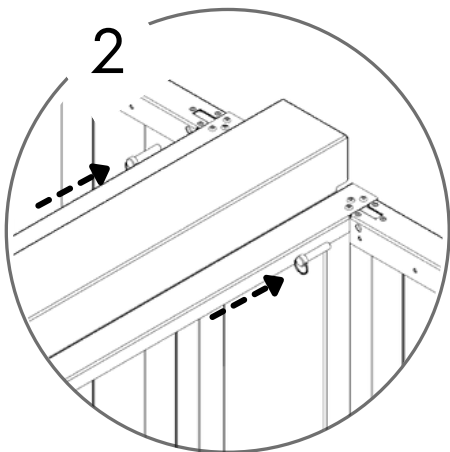
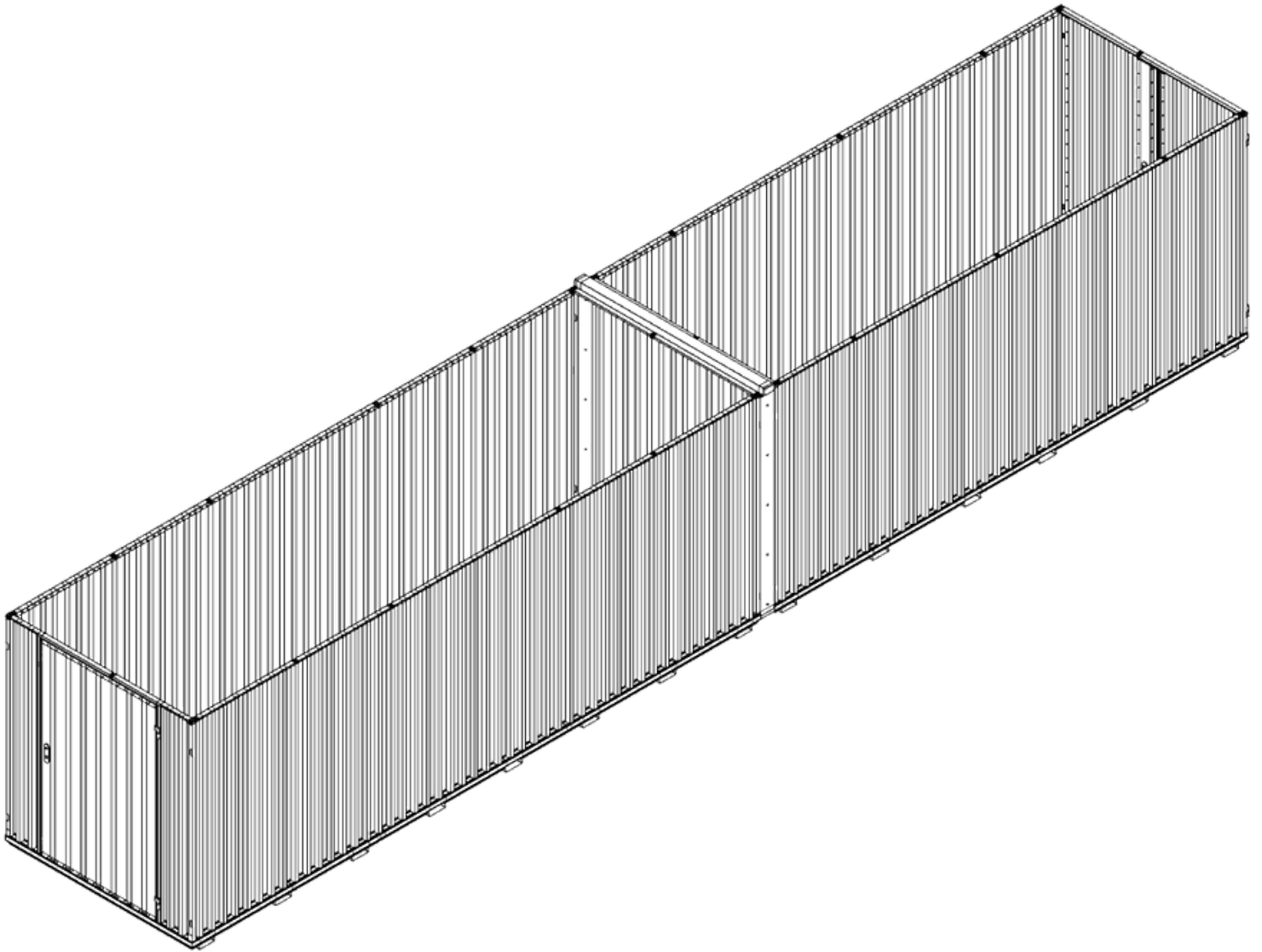
9











10

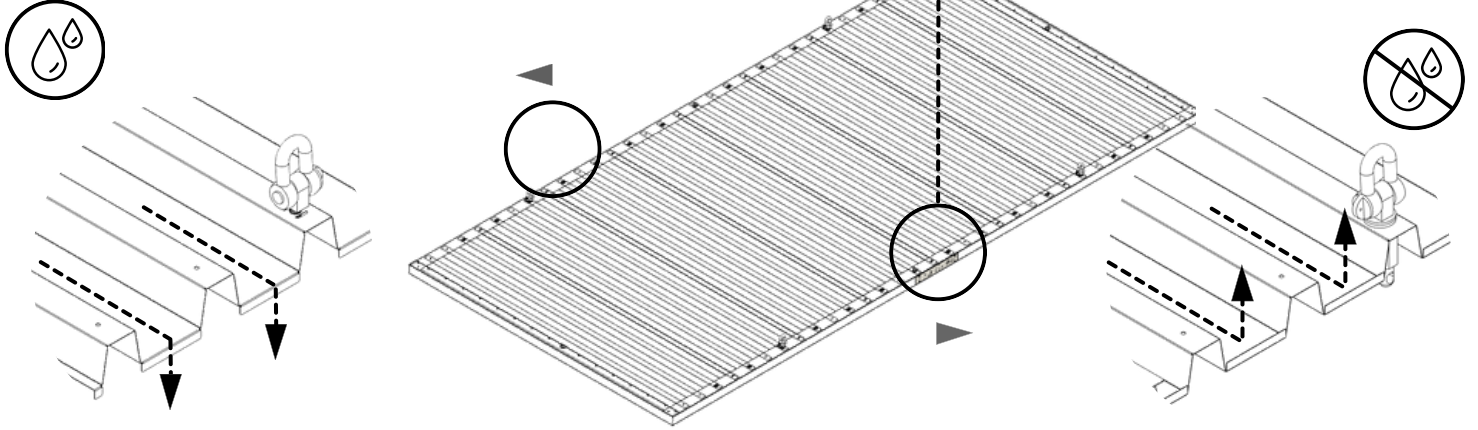


11

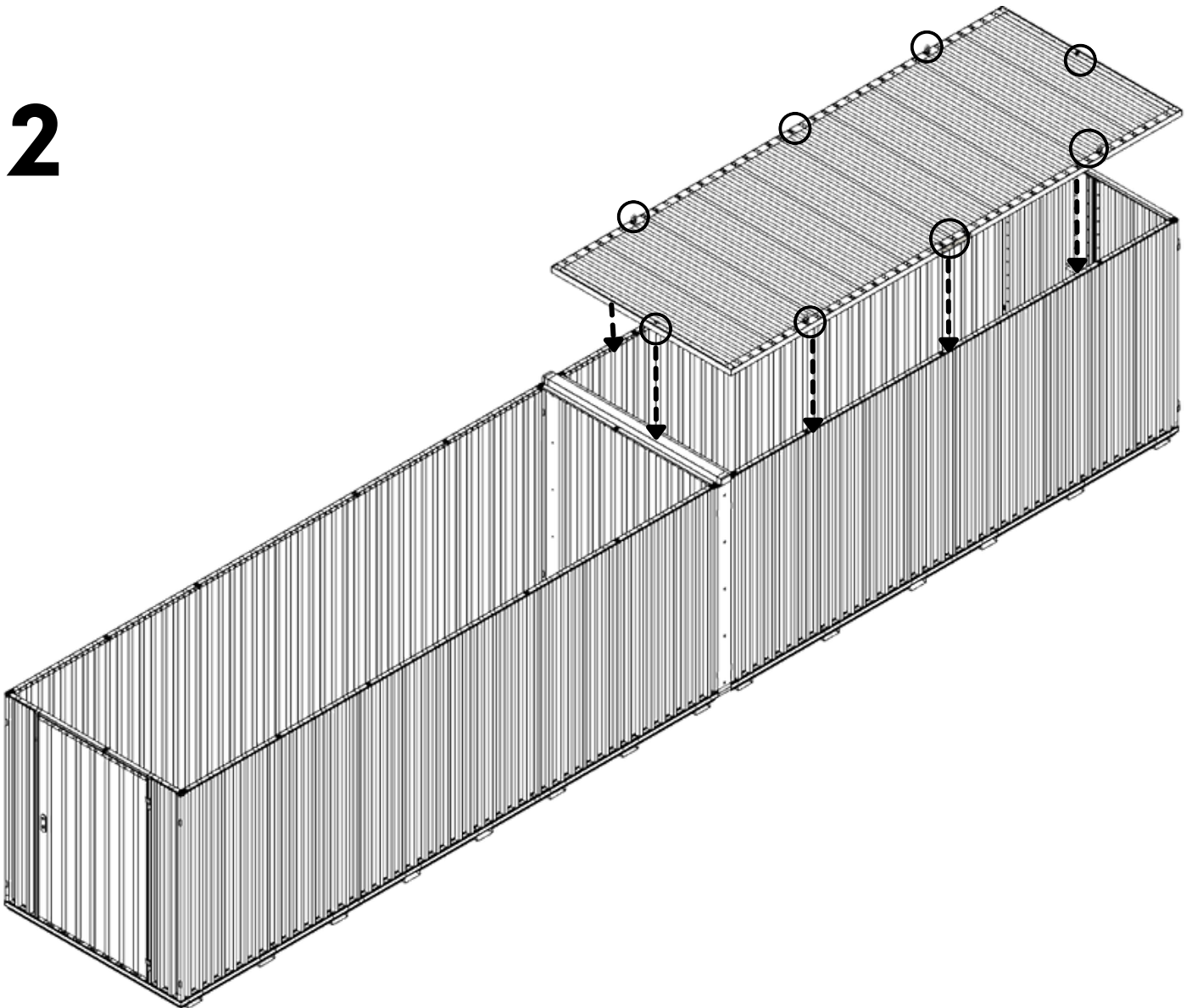




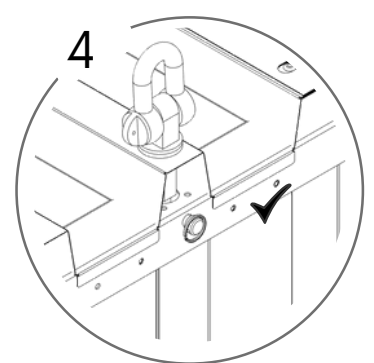
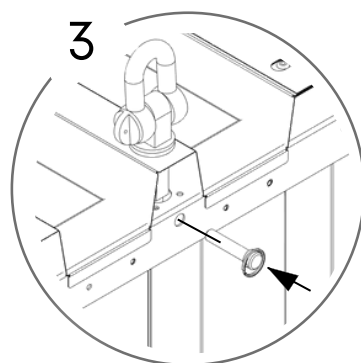
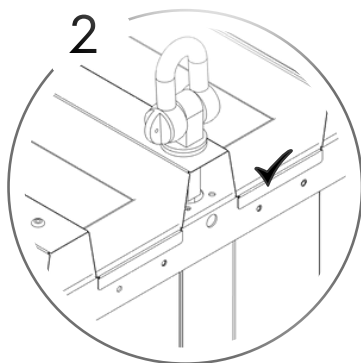
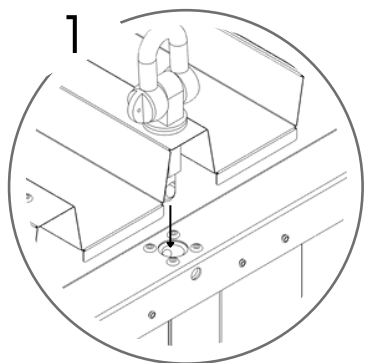
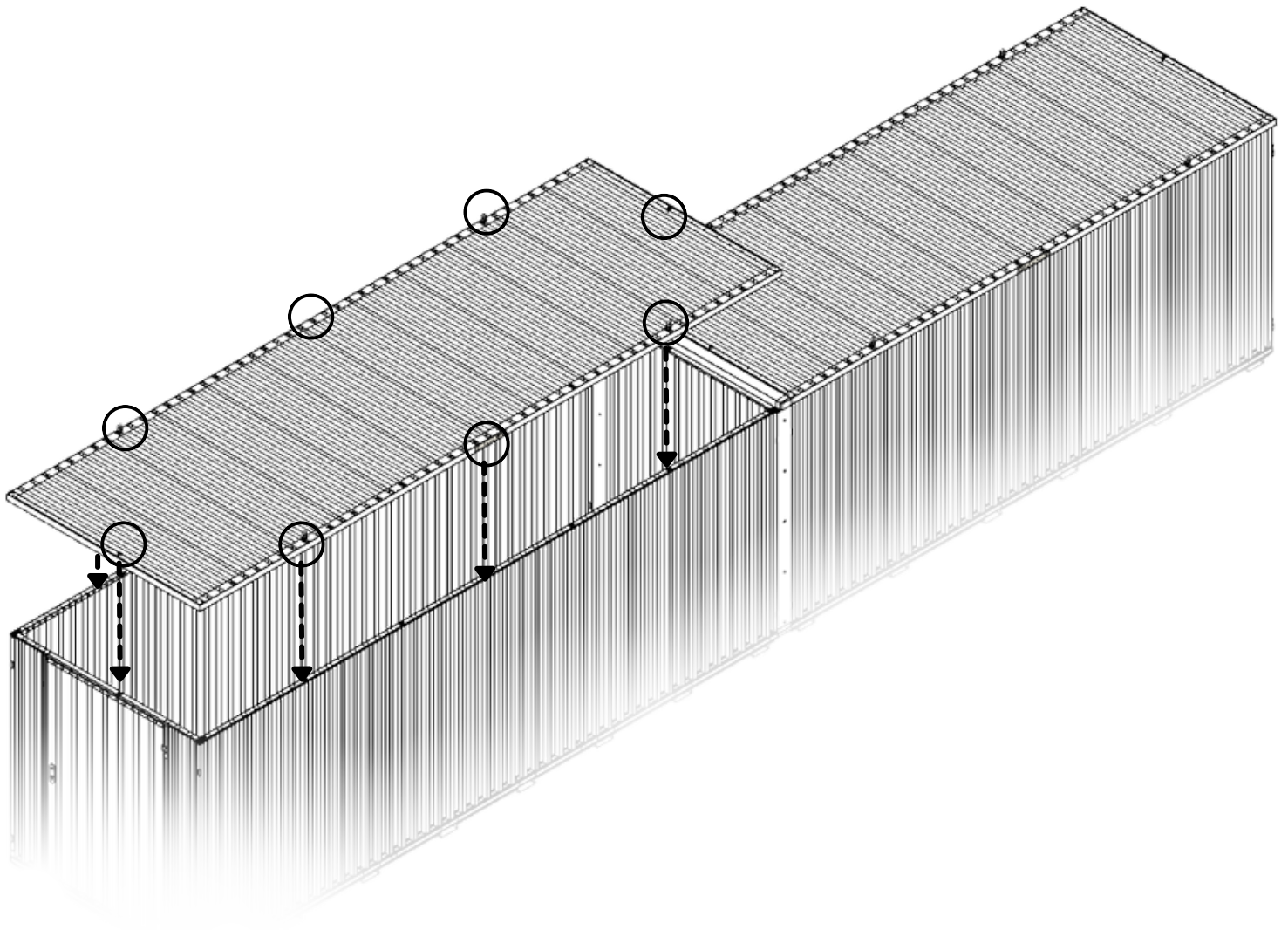
 1049 KG	 1640 MM	Model Code: 6050.110.320.331 Production Tracking Code:/X09.1.6050.320.331	 9001	 14001	 50001			
--	--	---	---	--	---	---	---	---



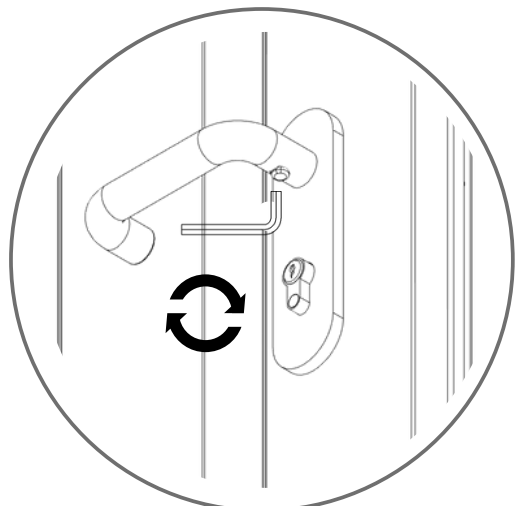
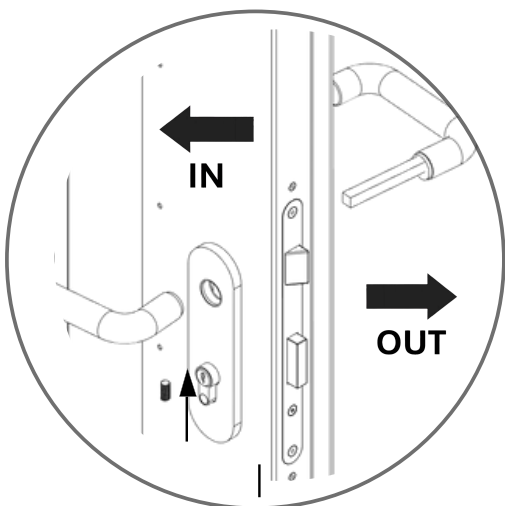
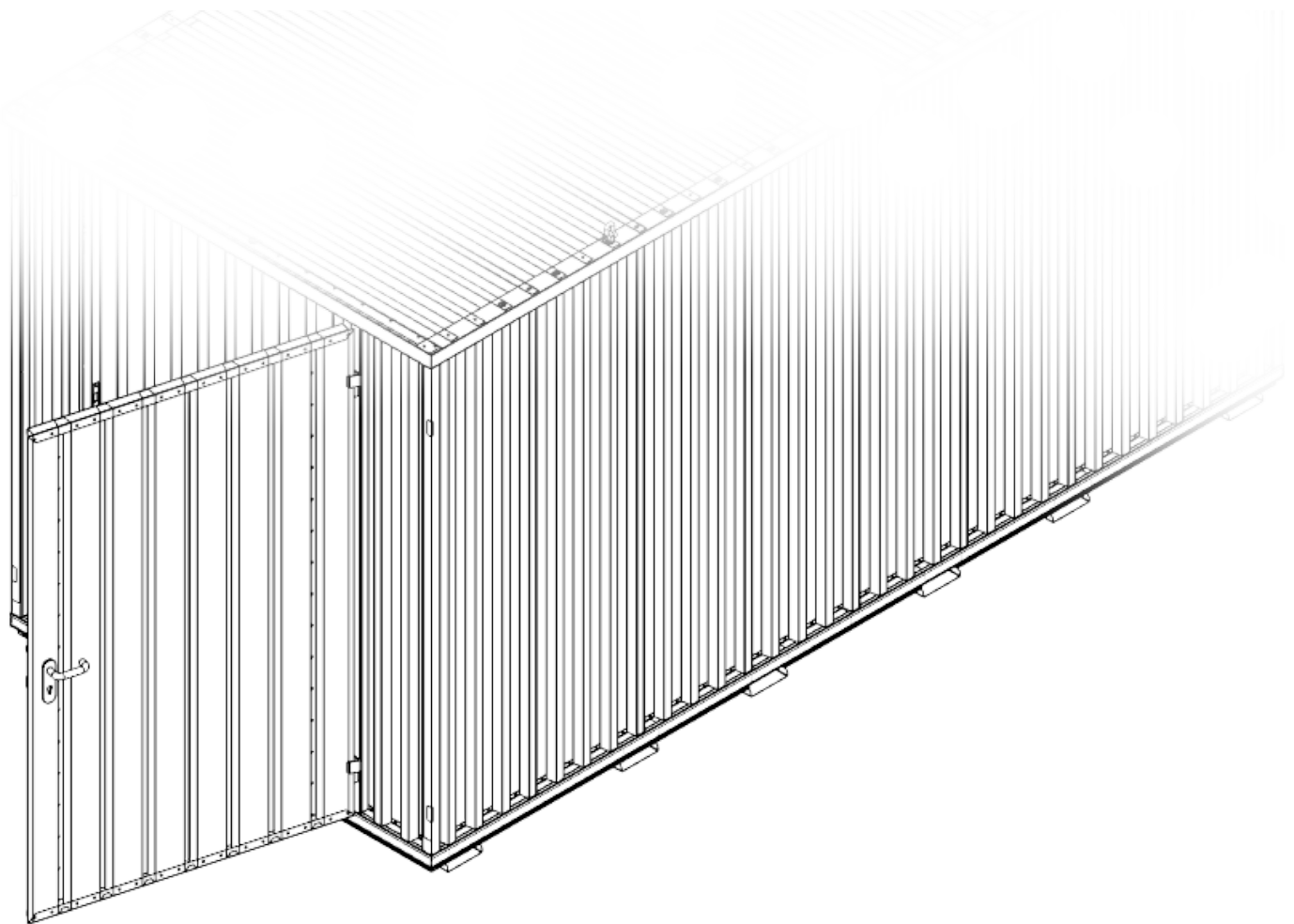
12



13



14



15

