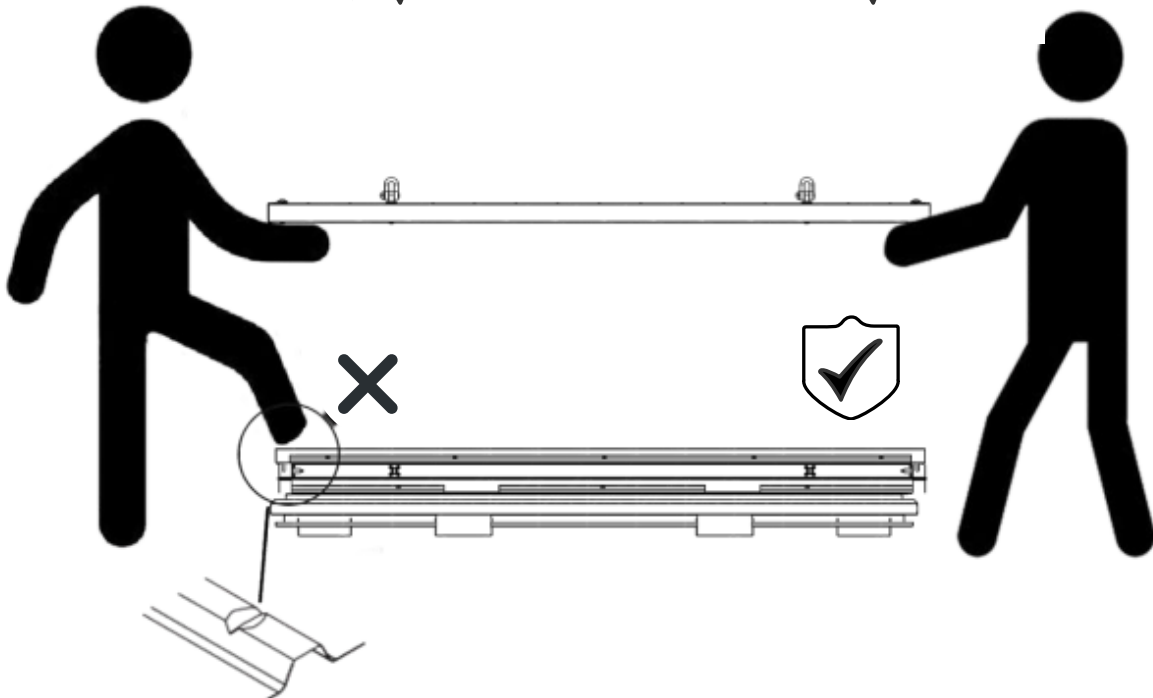
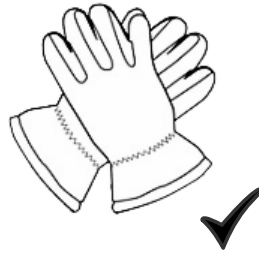
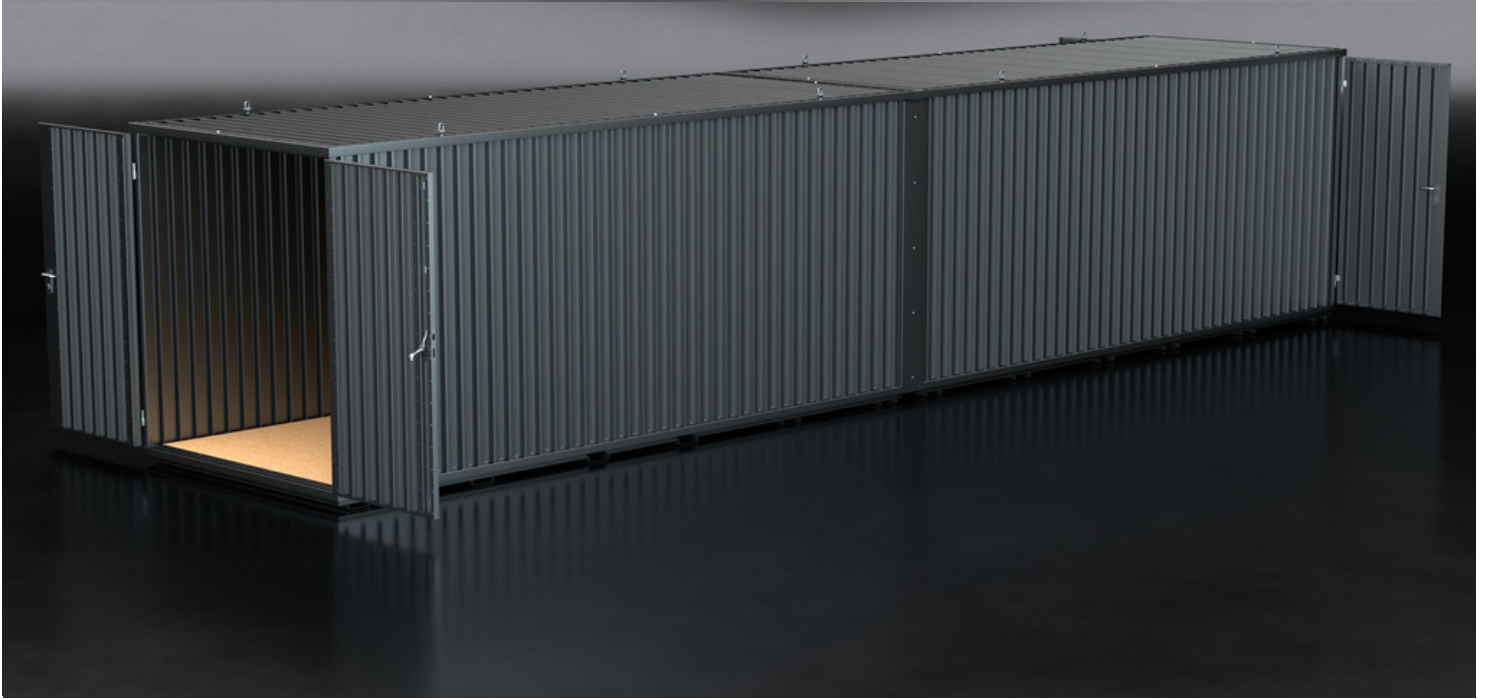


PRODUCT CODE:5050.110.330.331

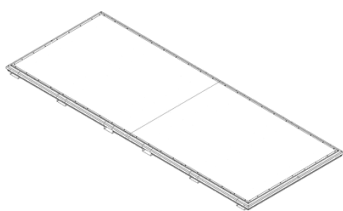
prefabase
Quick Build Solutions

Instructions and User Guide



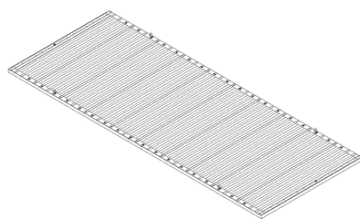
50.0110

2x



50.0510

2x



306.0110

1x



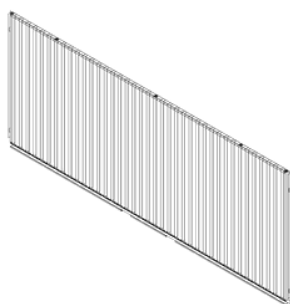
306.0510

1x



50.0410

4x



0330

2x



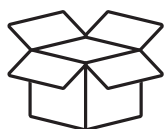
306.40.05

2x

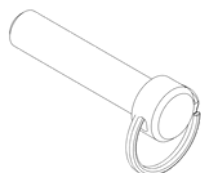


306.40.04

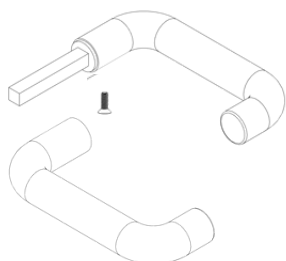
2x



24x



2x



10x



10x



10x



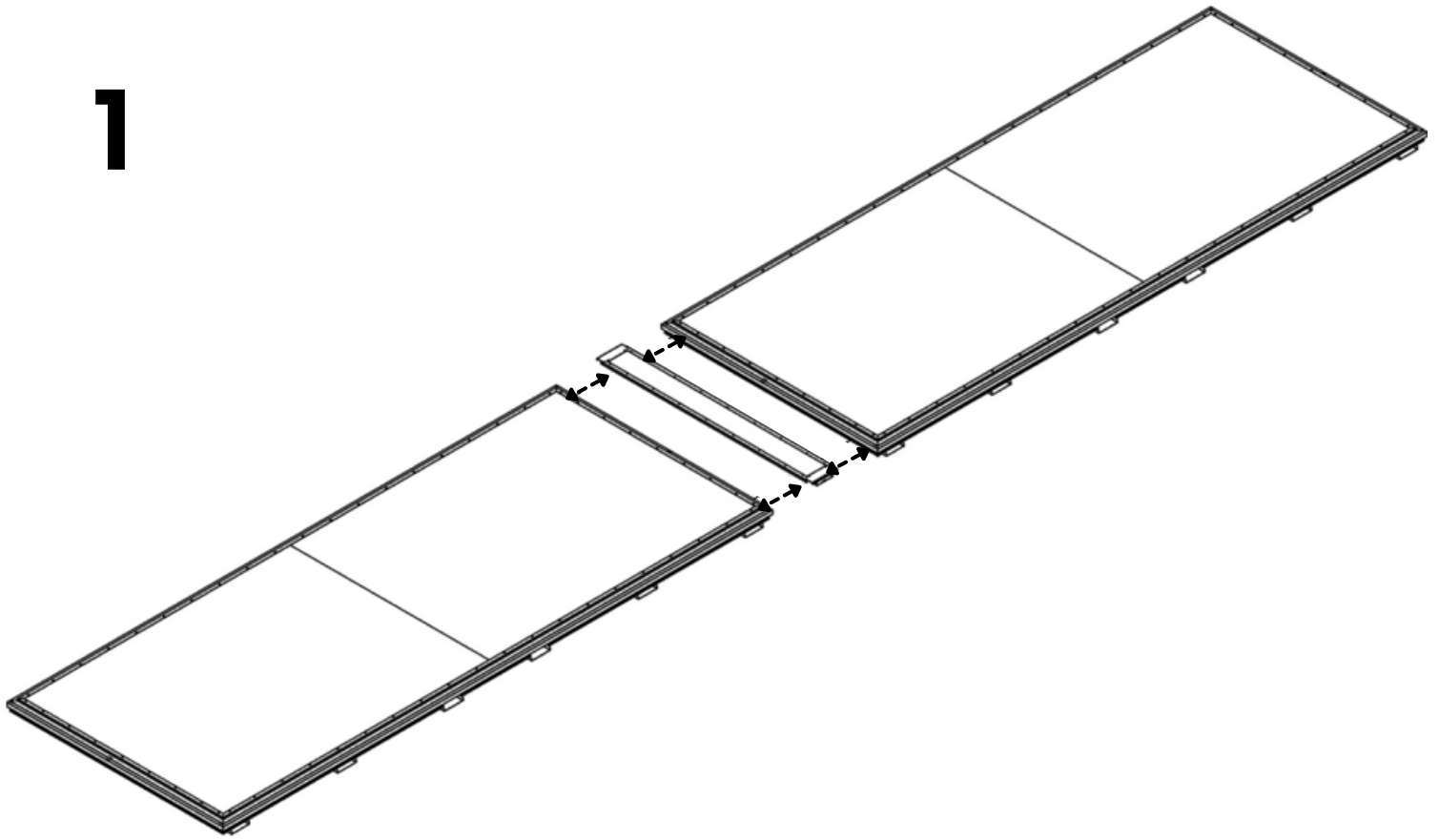
1x



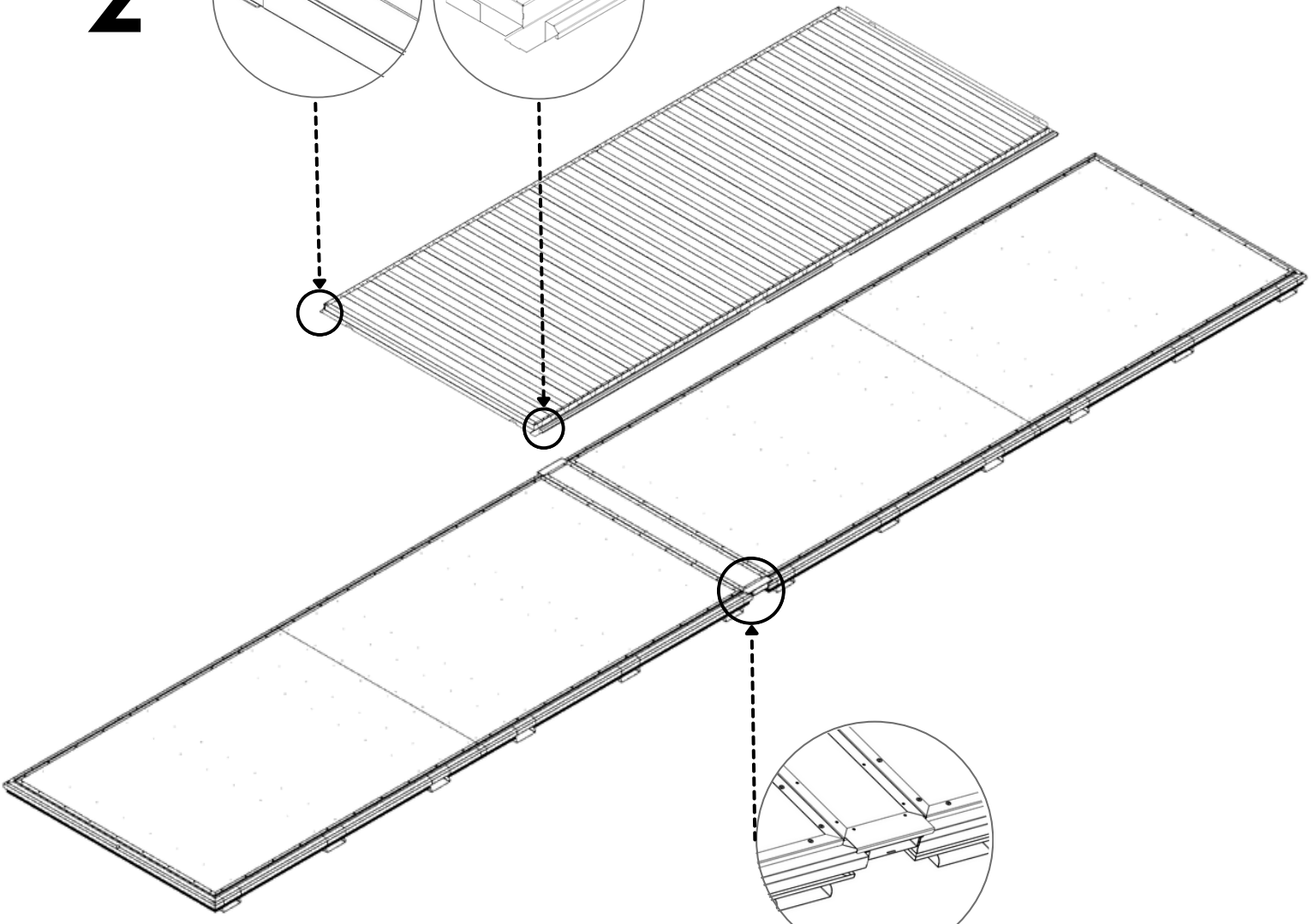
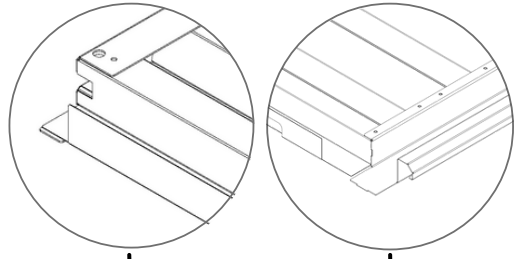
2x

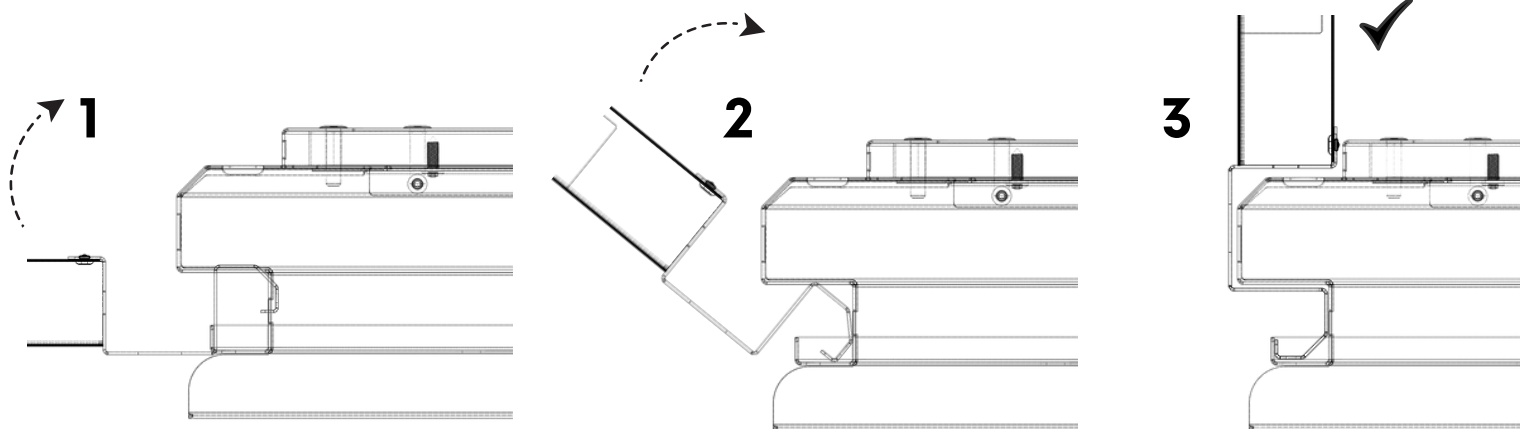


1

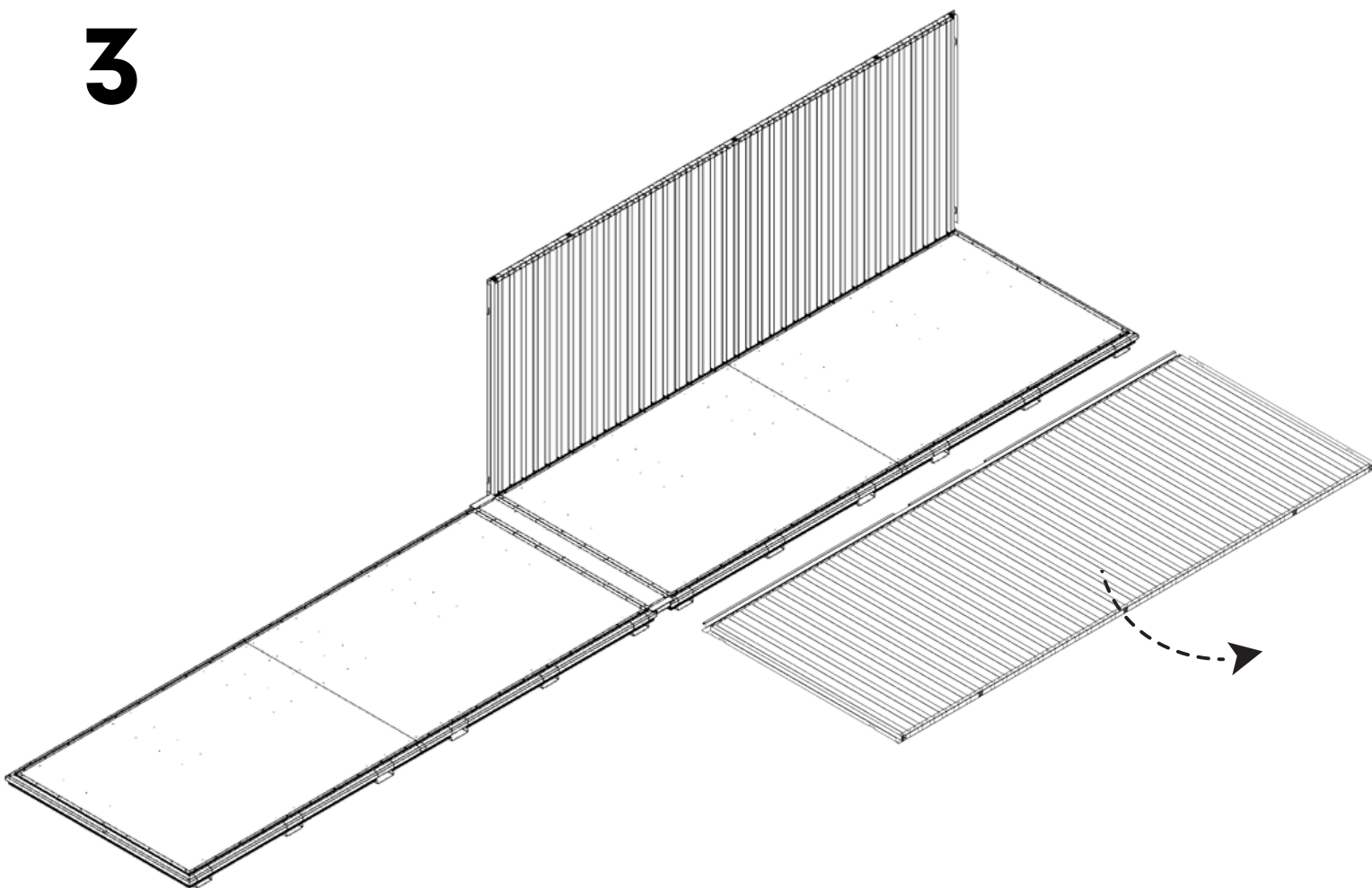


2

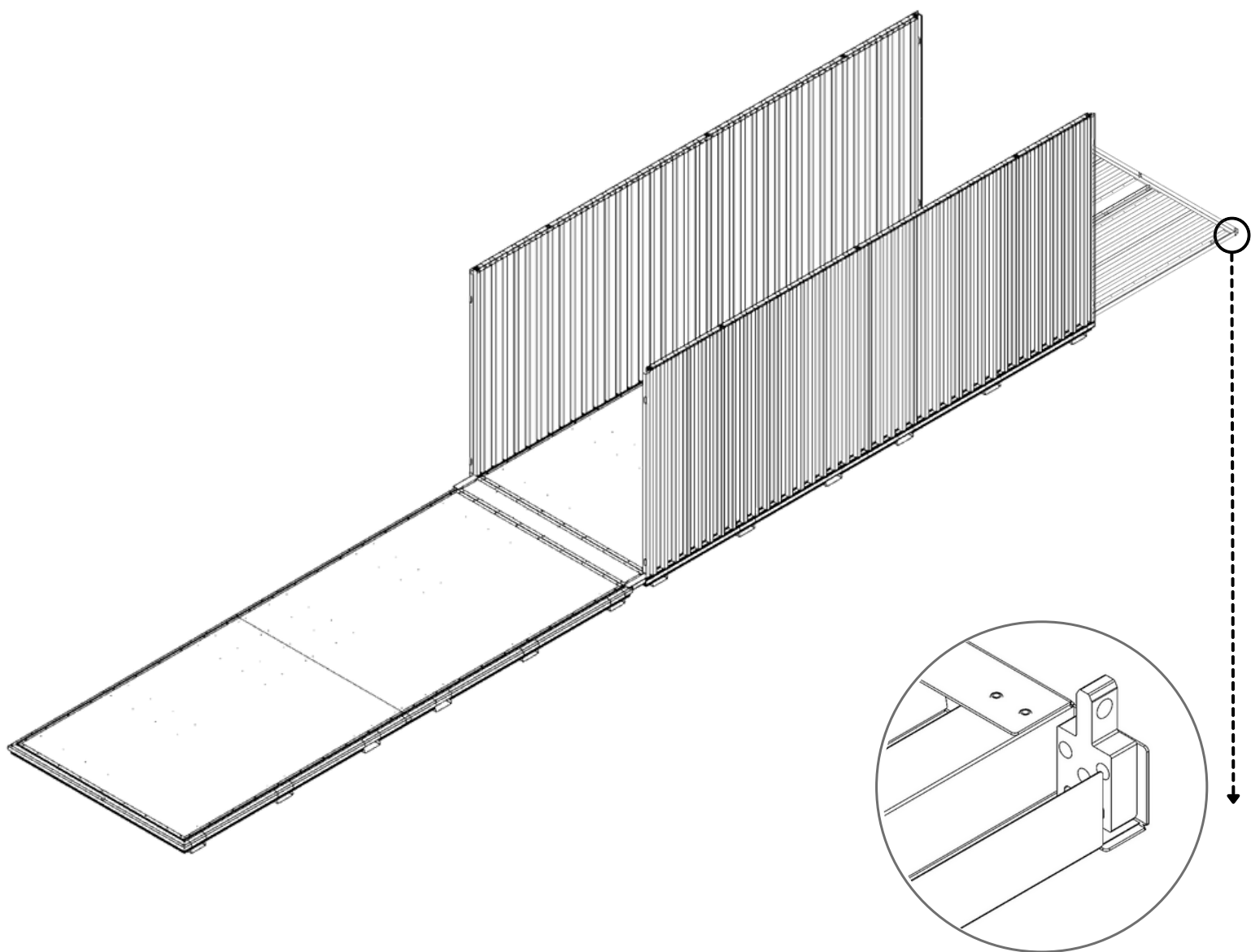




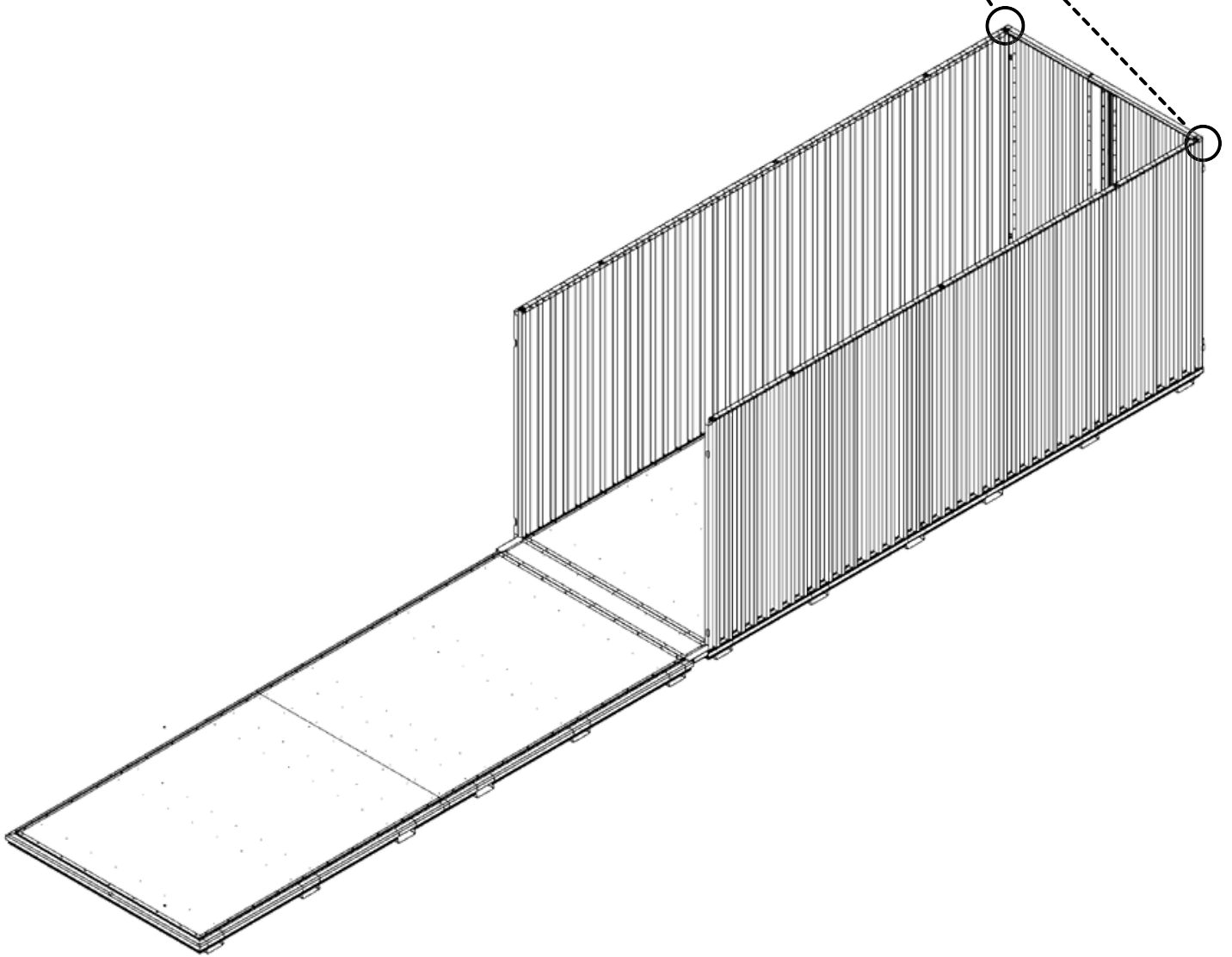
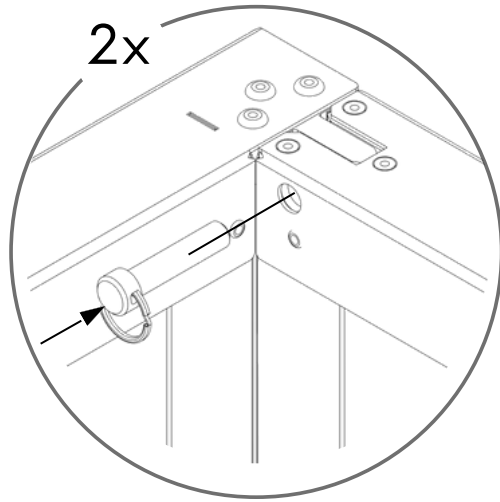
3



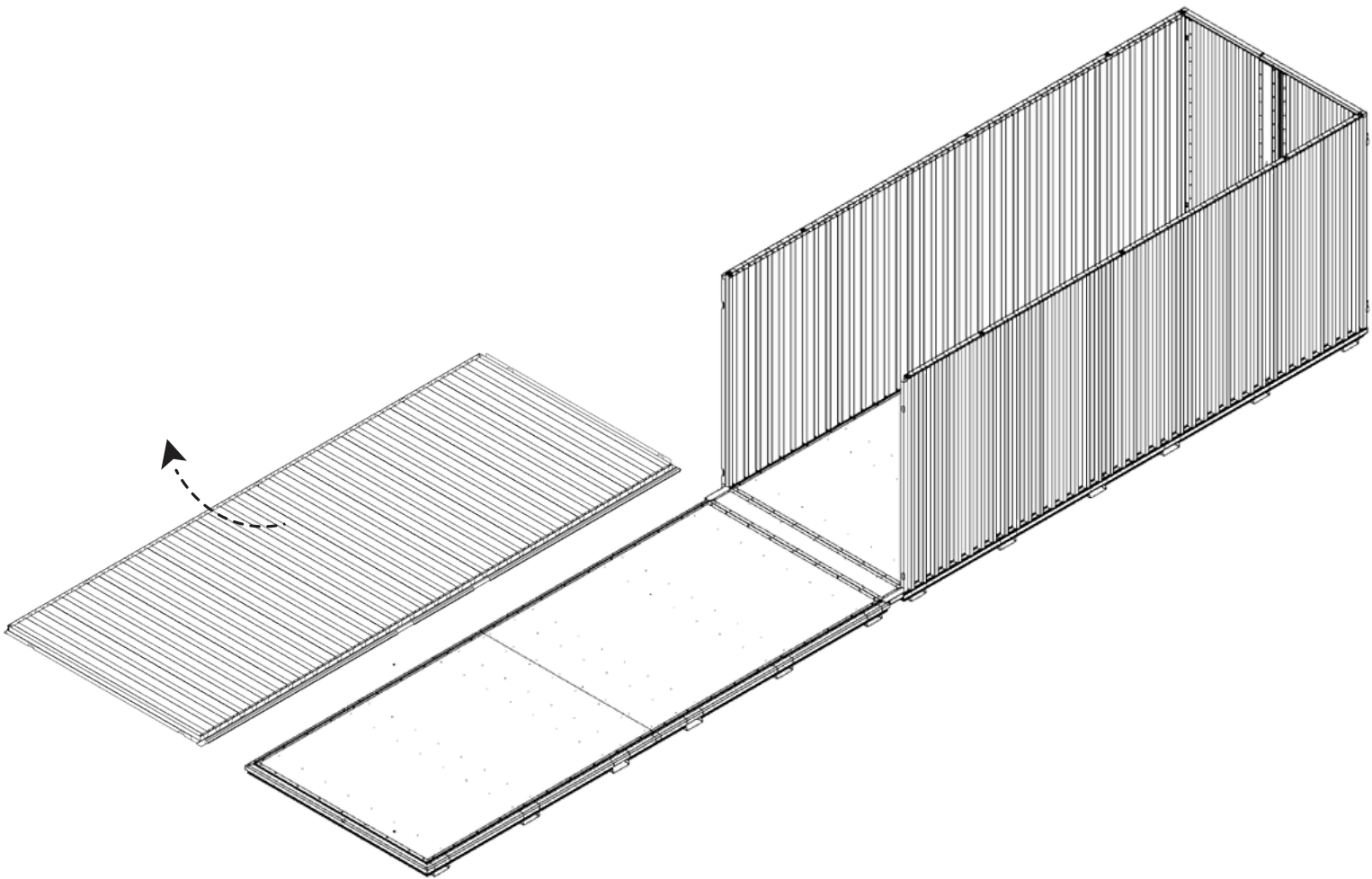
4



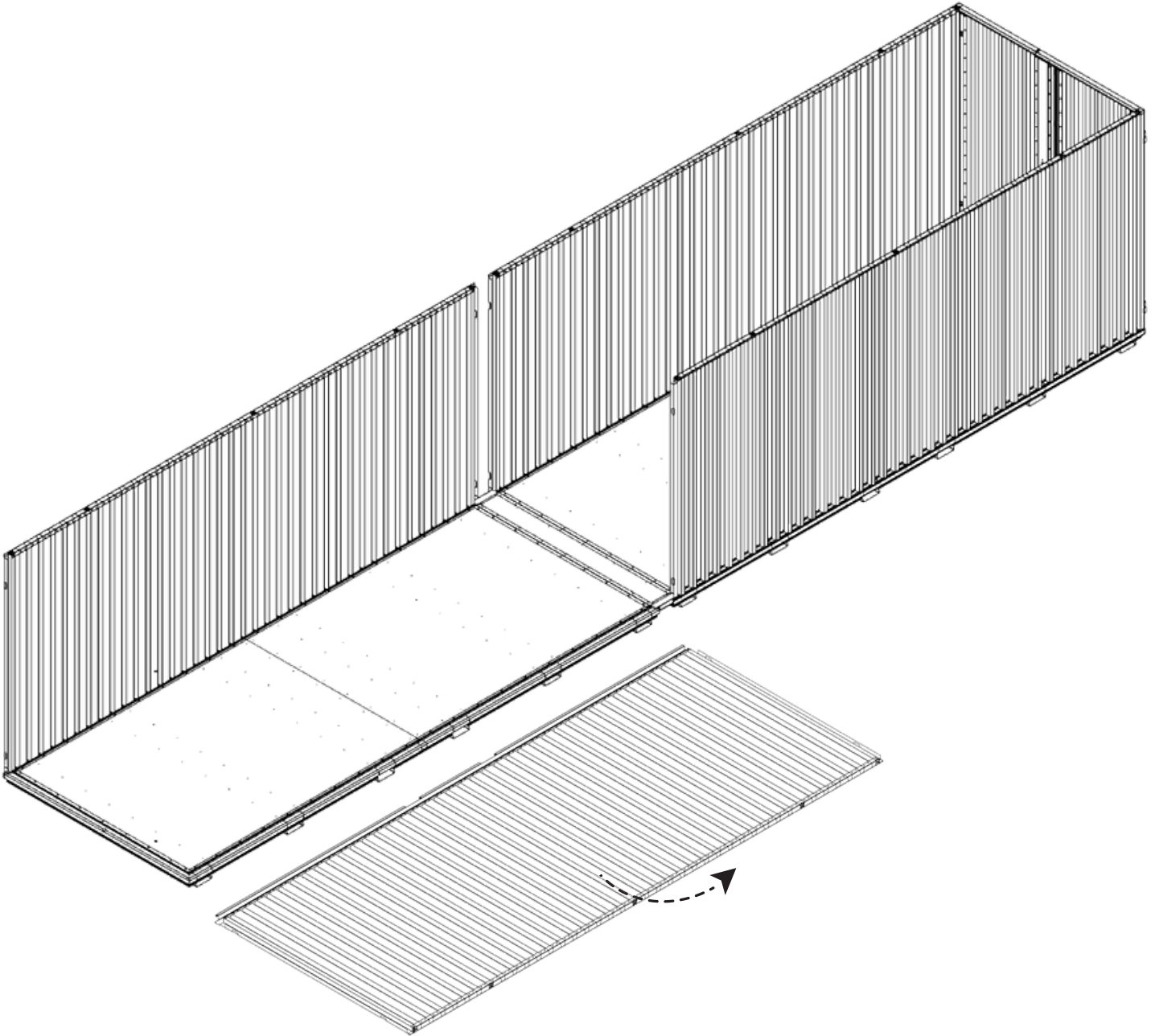
4.1



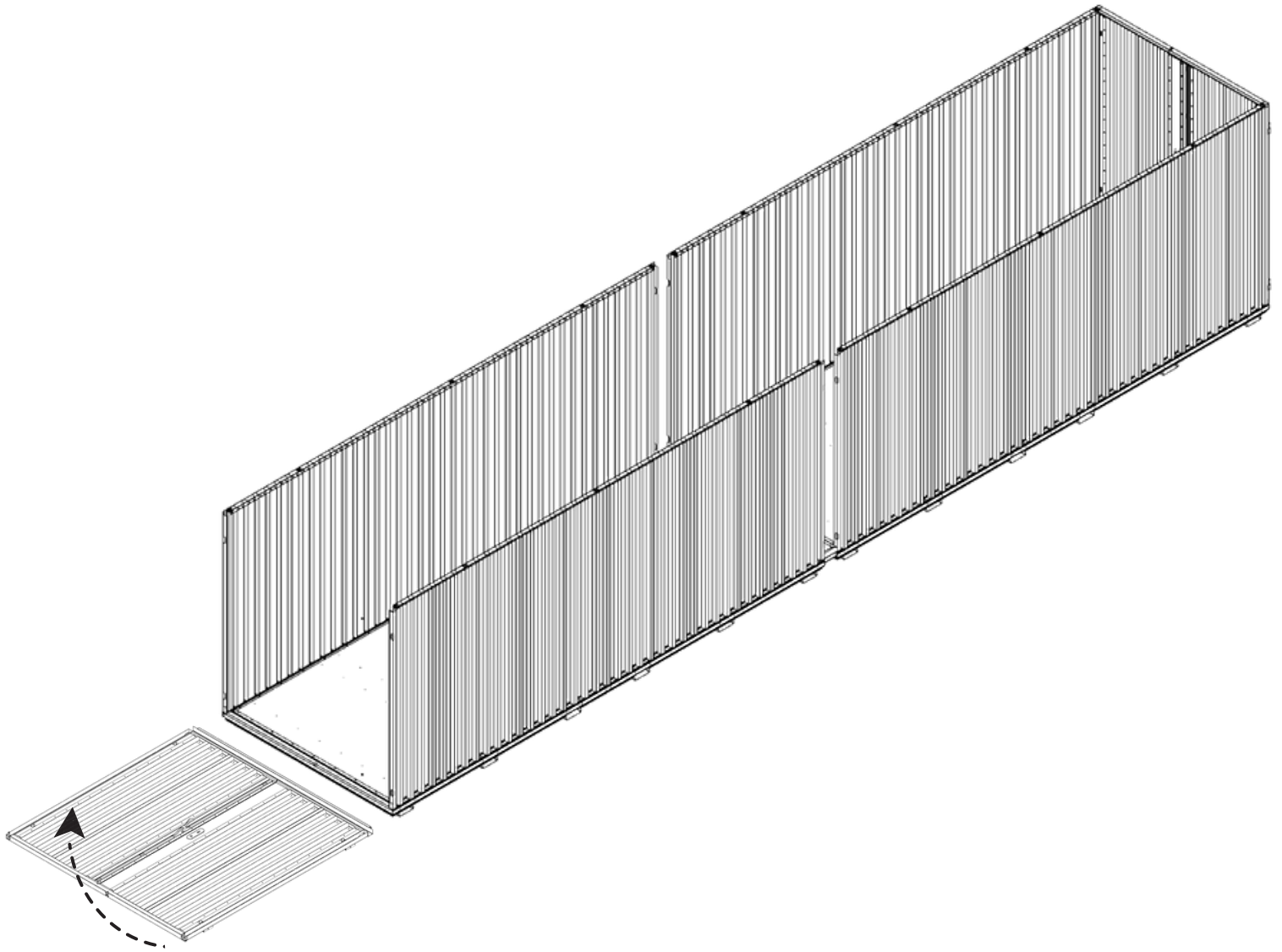
5



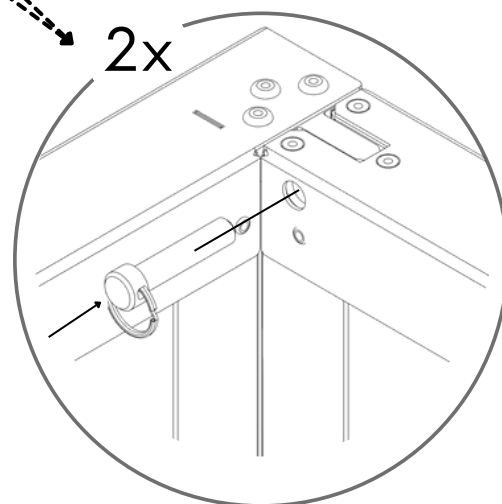
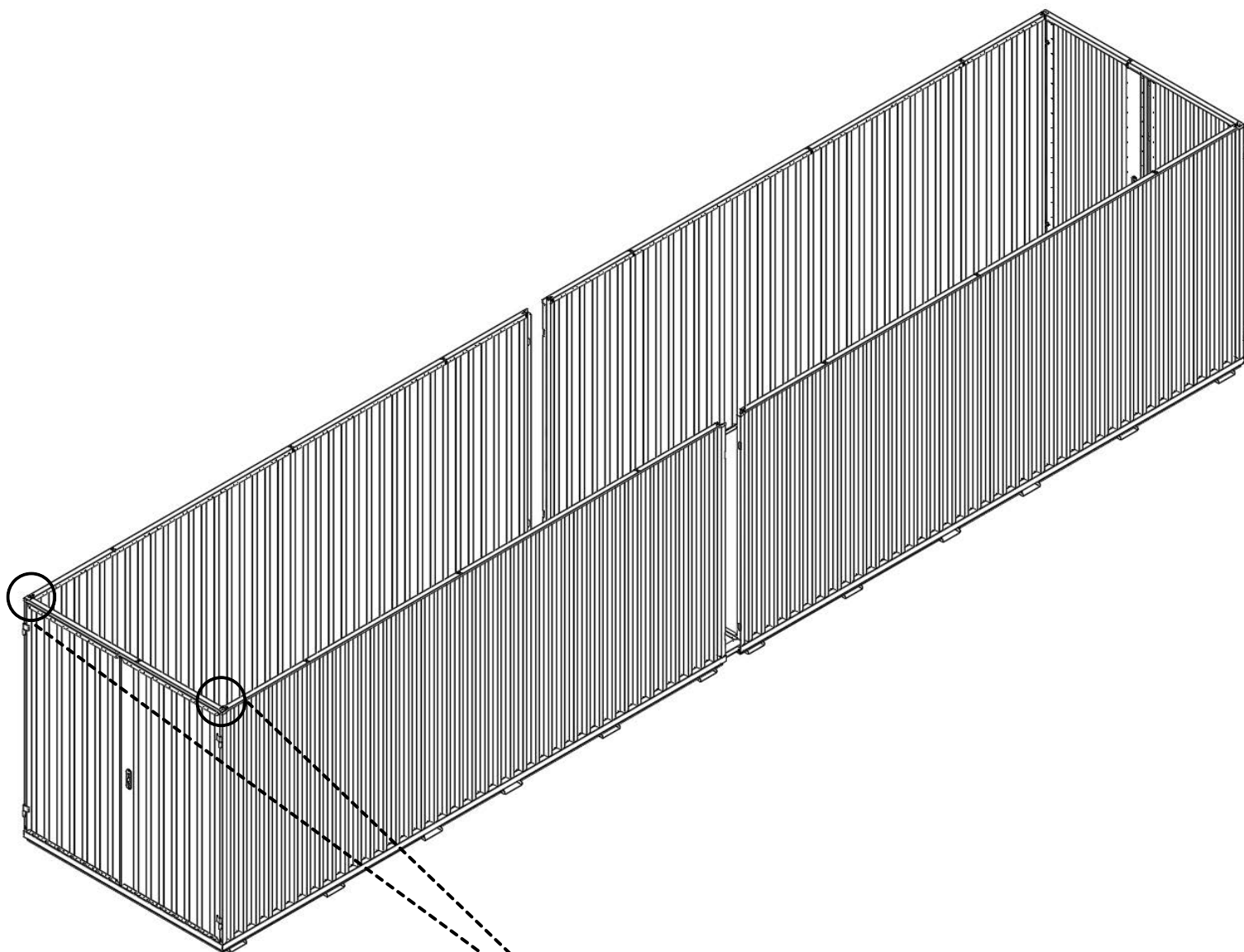
6



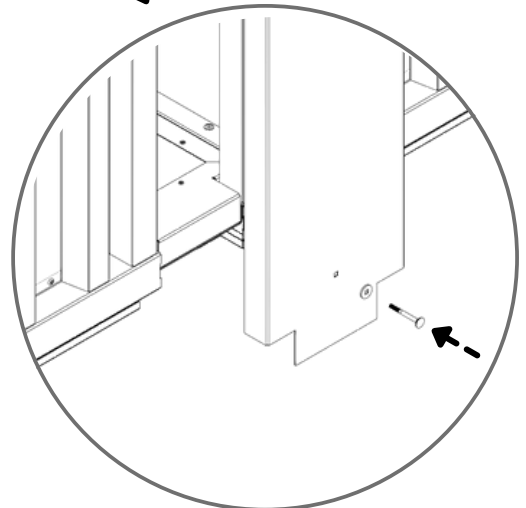
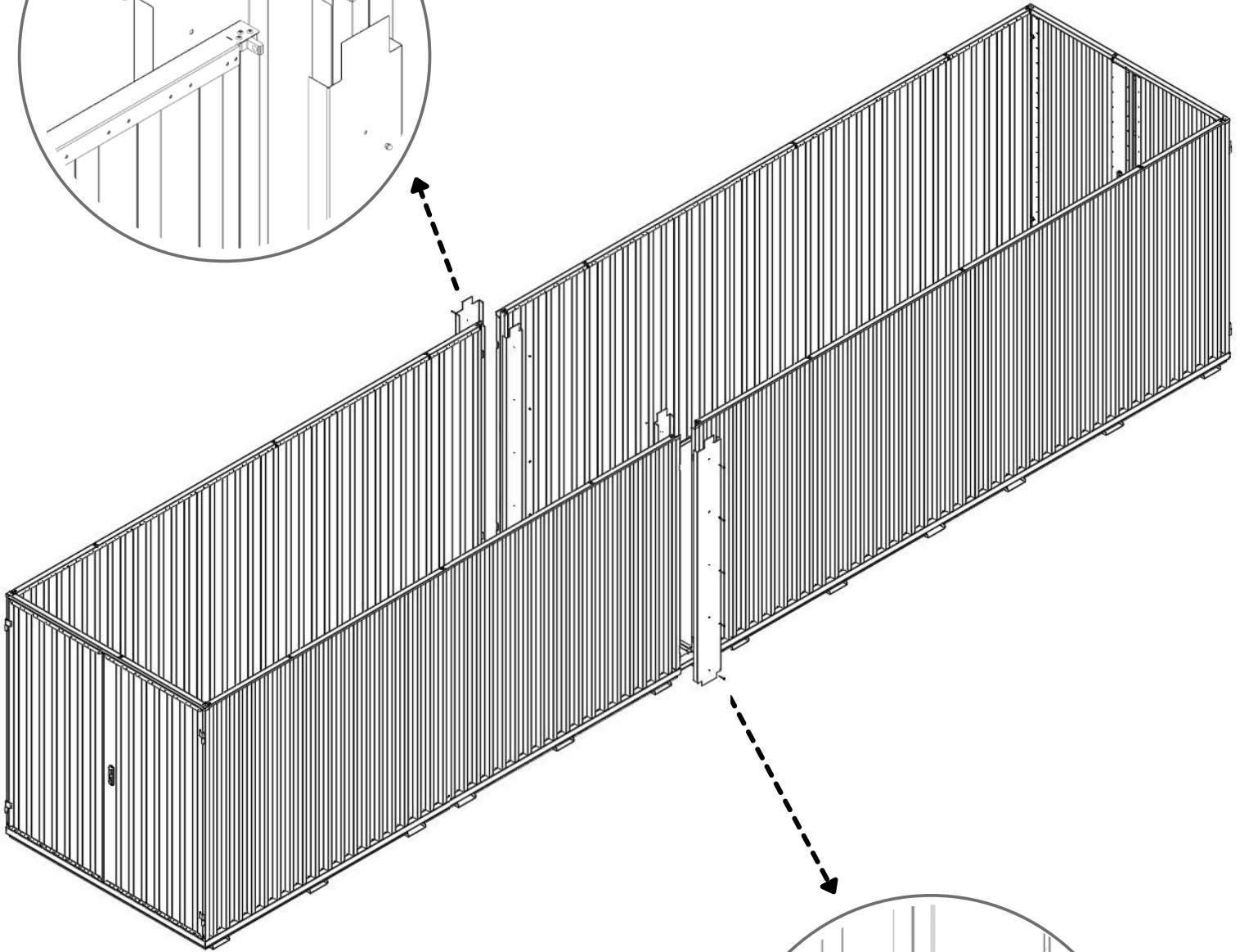
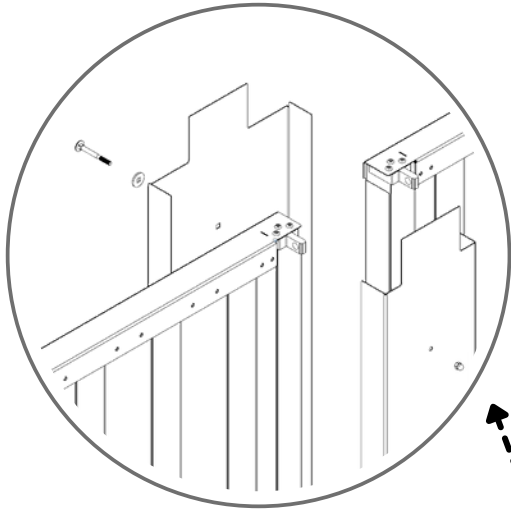
7



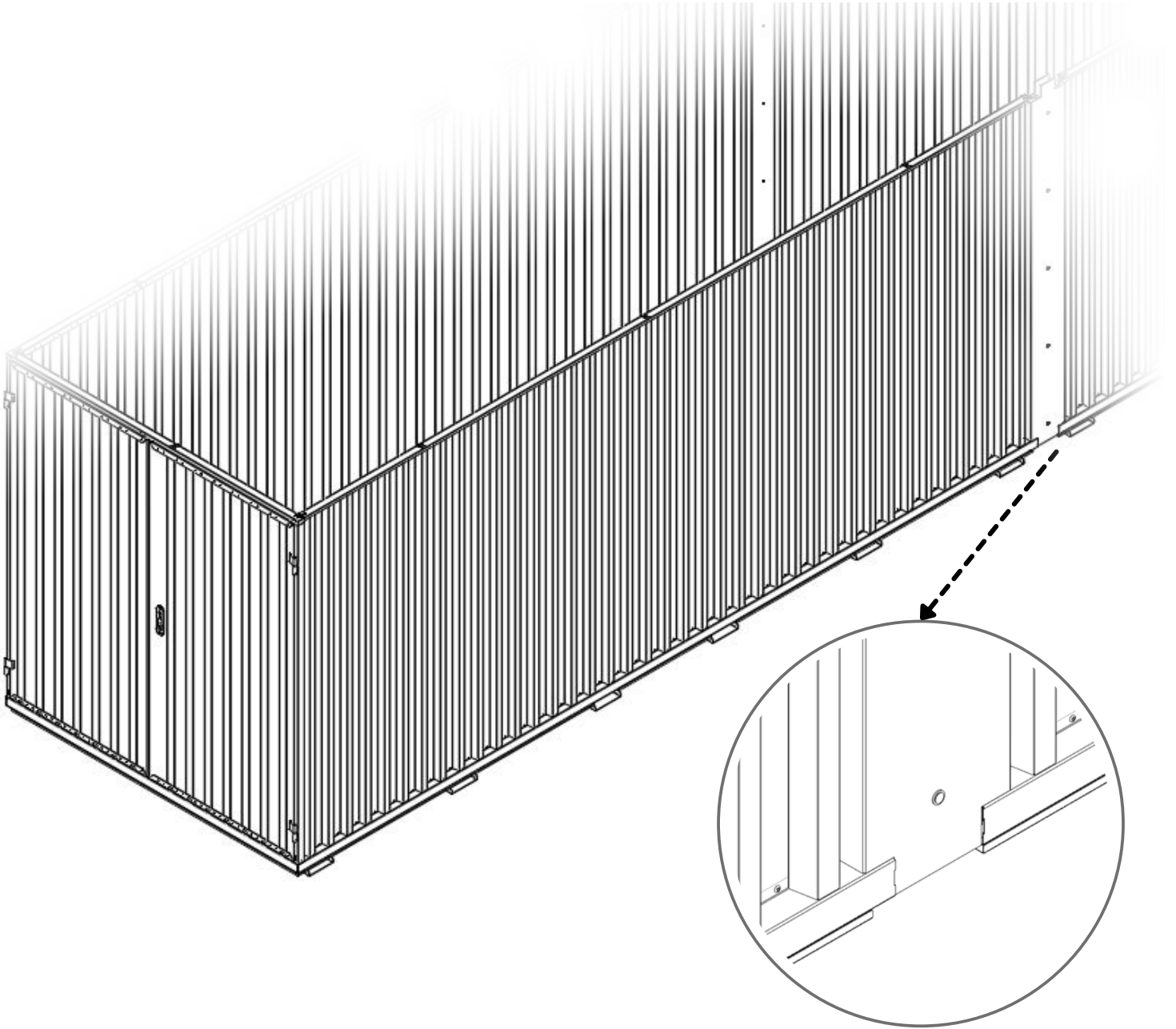
7.1



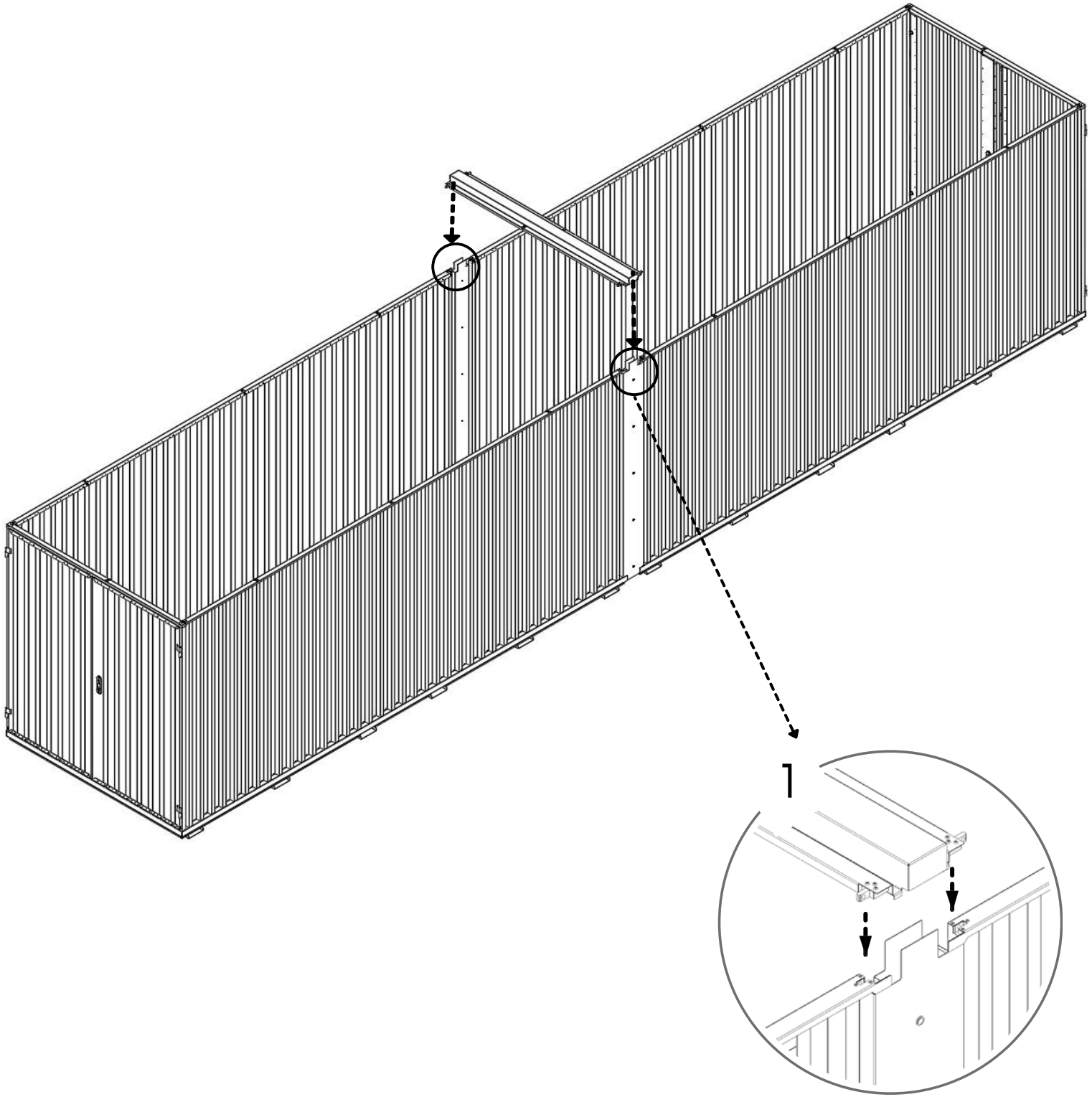
8



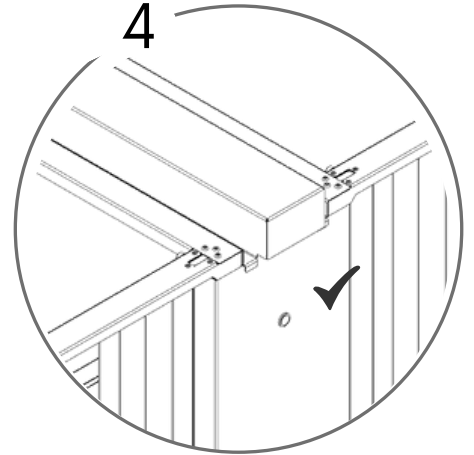
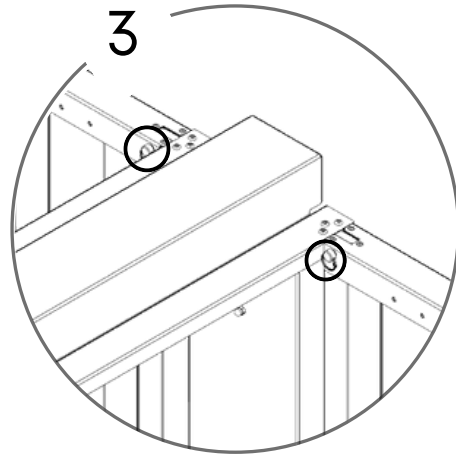
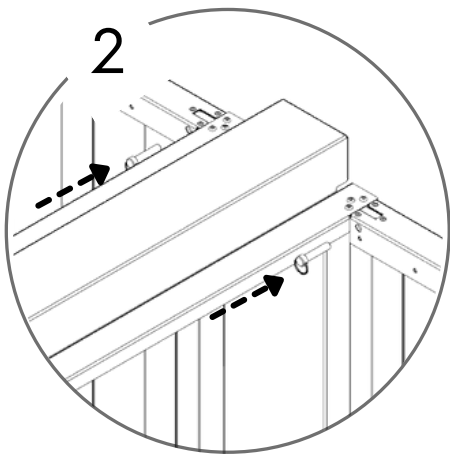
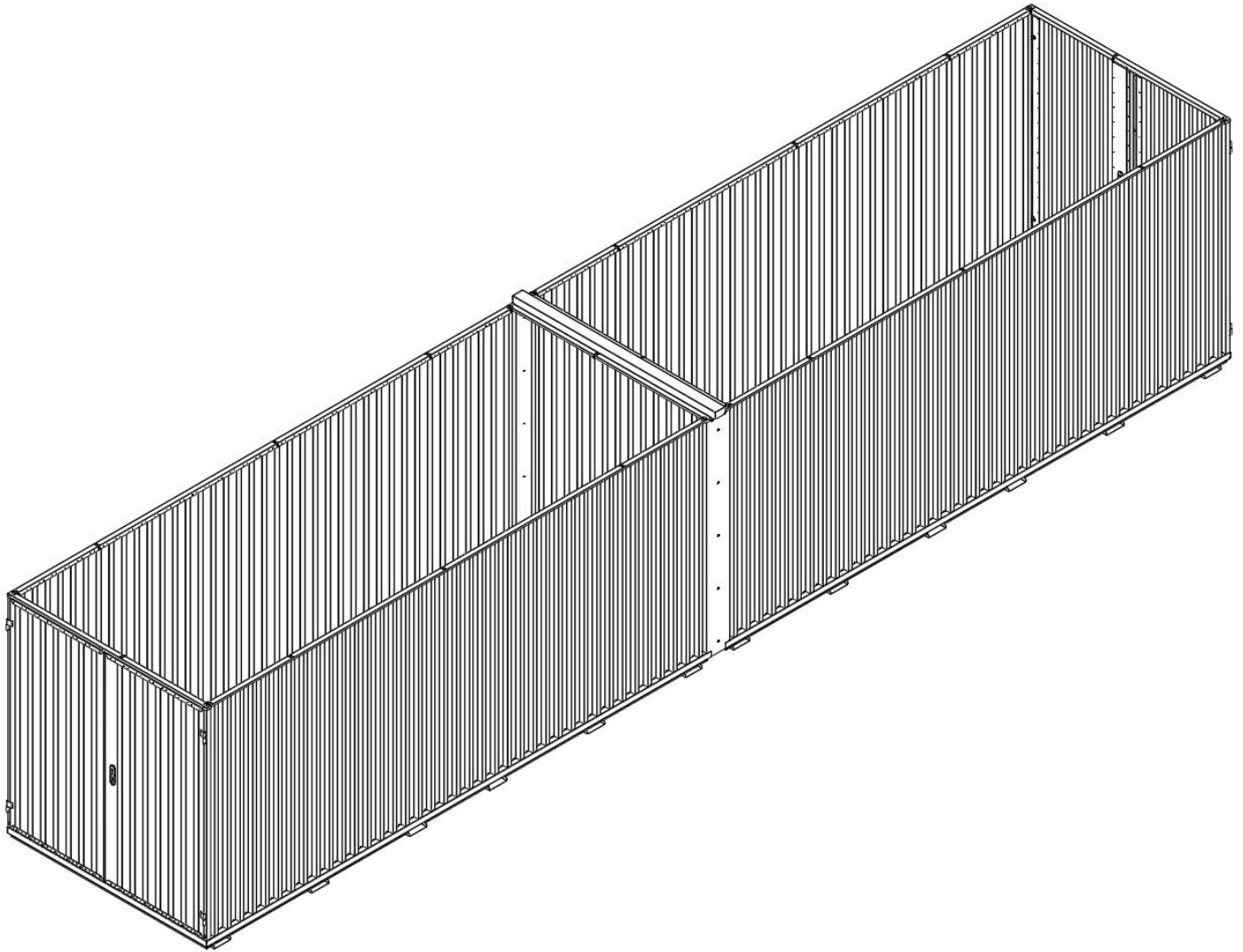
9











10

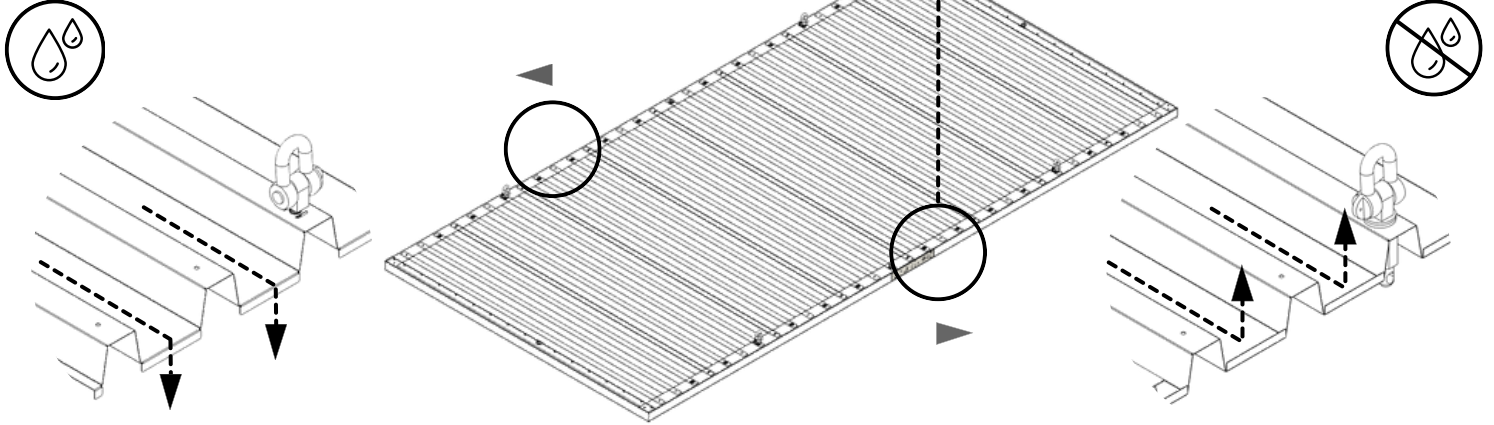


11

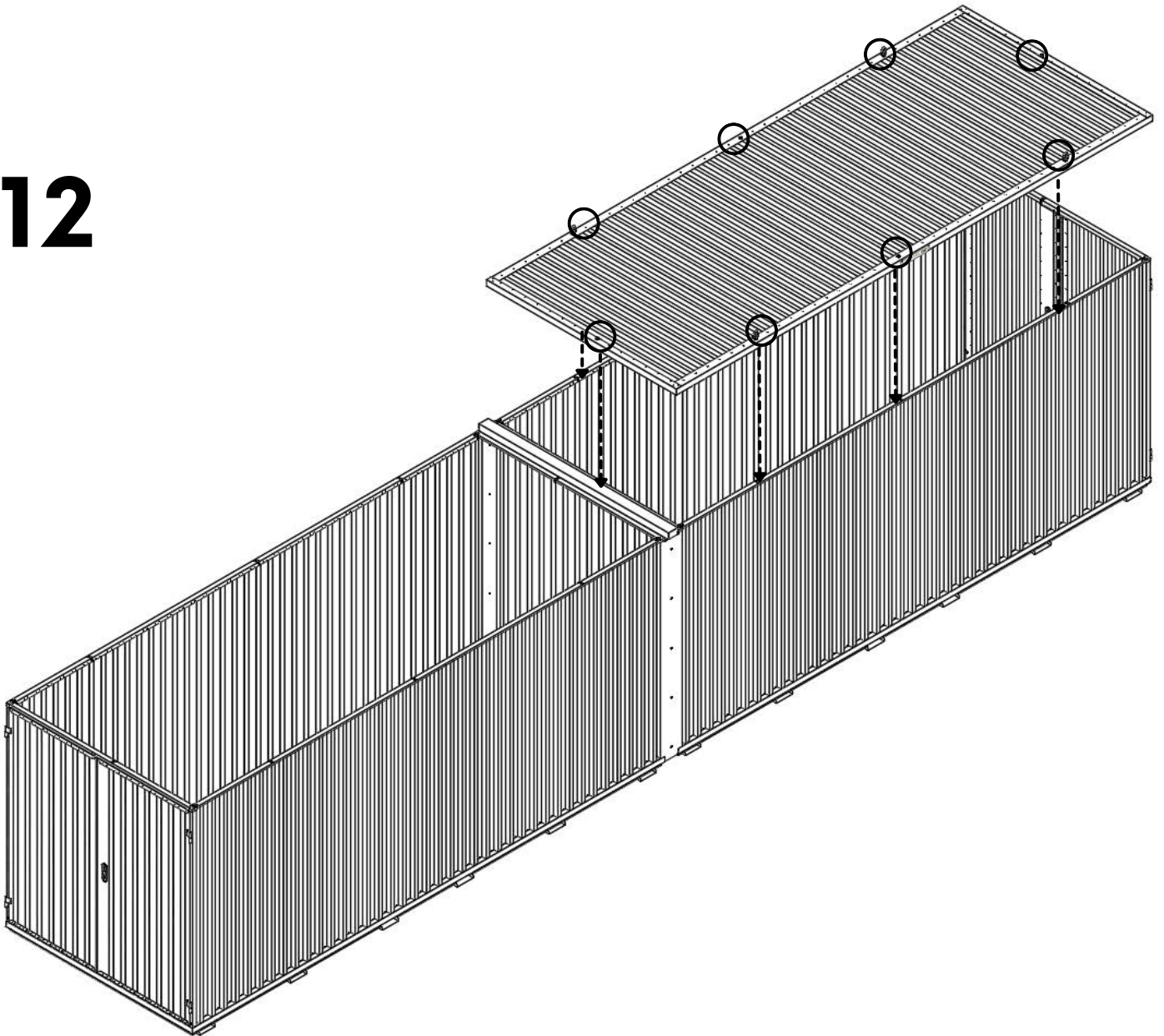




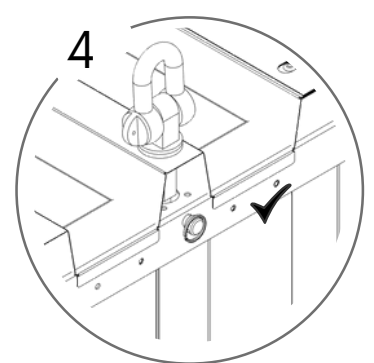
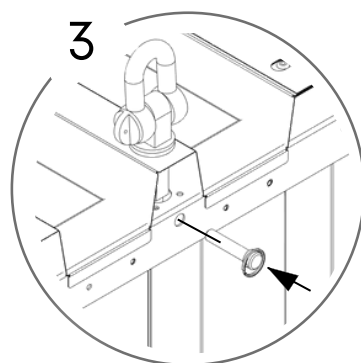
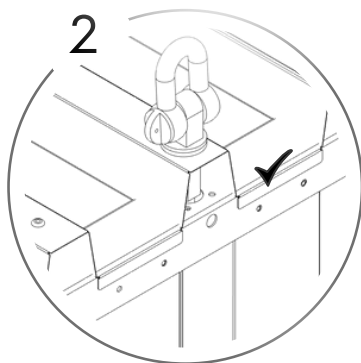
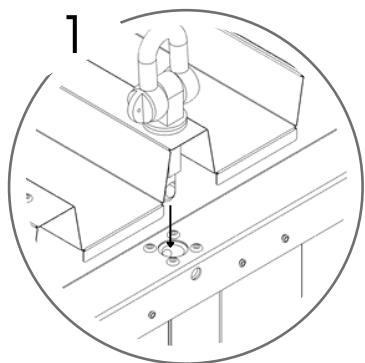
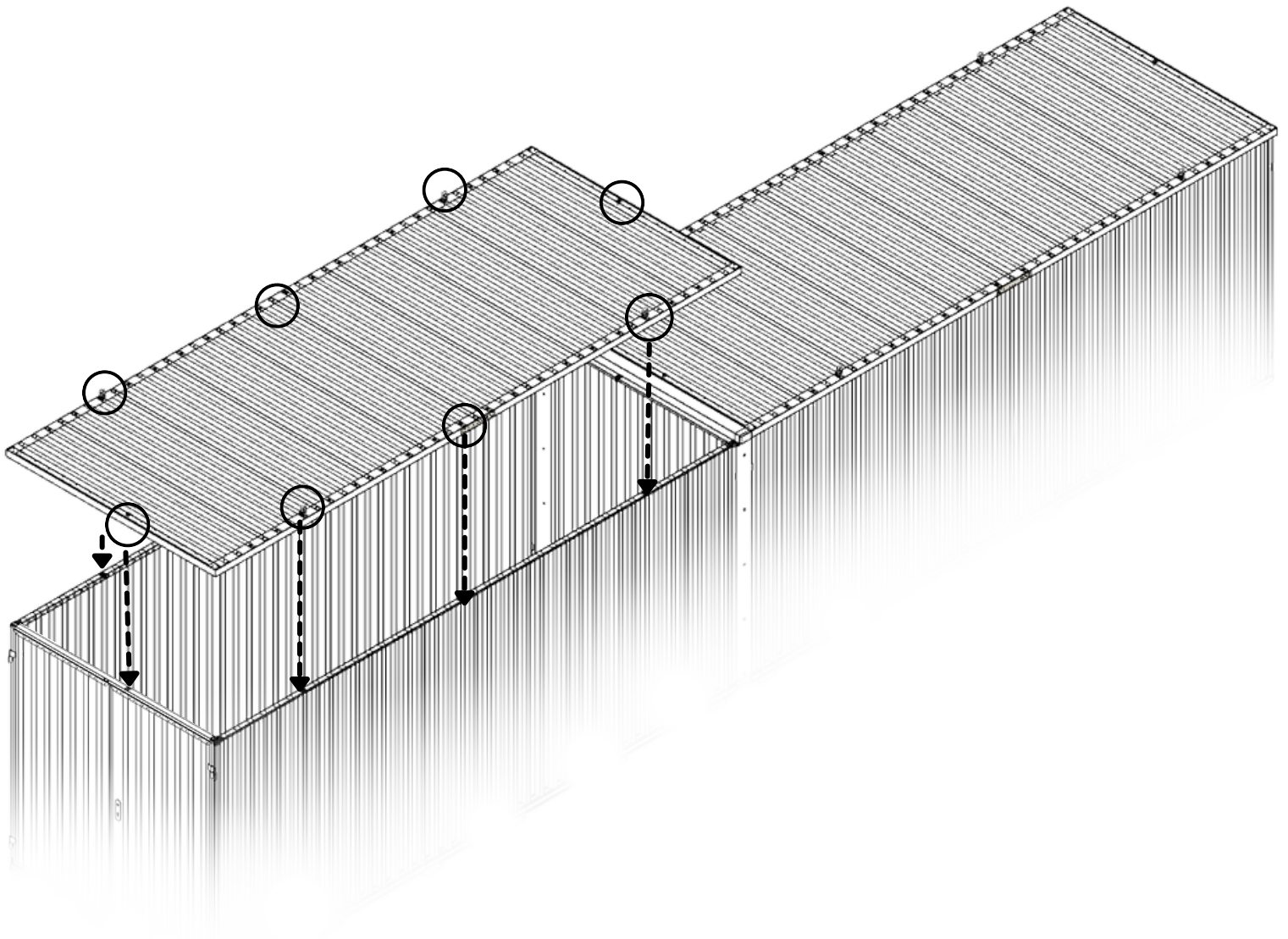
 969 KG	 1640 MM	Model Code: 5050.110.330.331 Production Tracking Code:/X09.1.5050.330.331	 9001	 14001	 50001			
---	--	---	---	--	--	---	---	---



12



13



14

