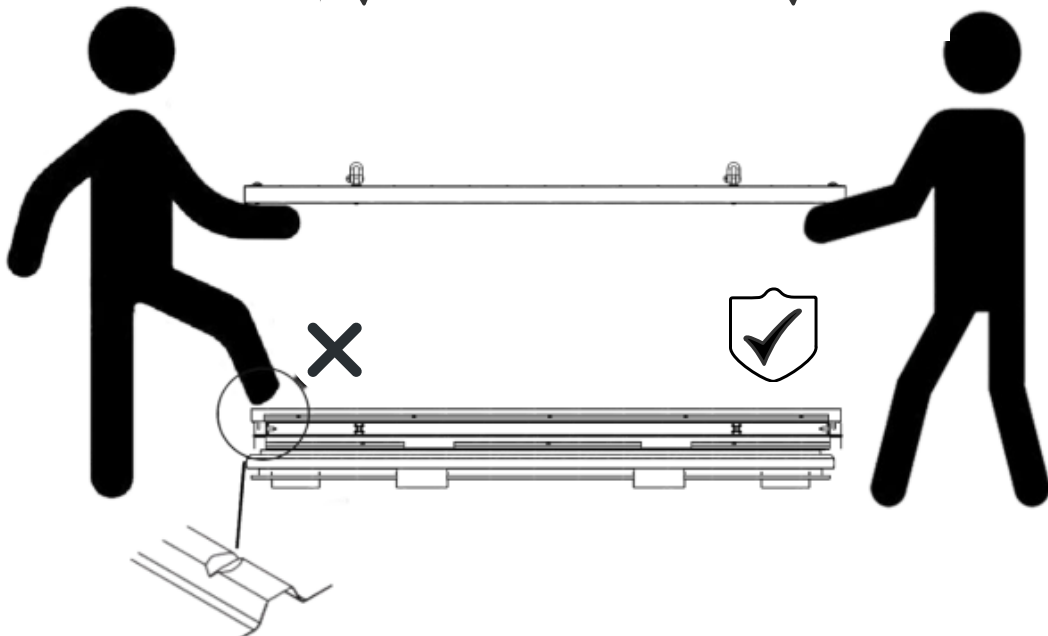
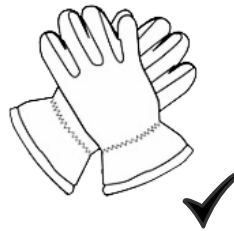
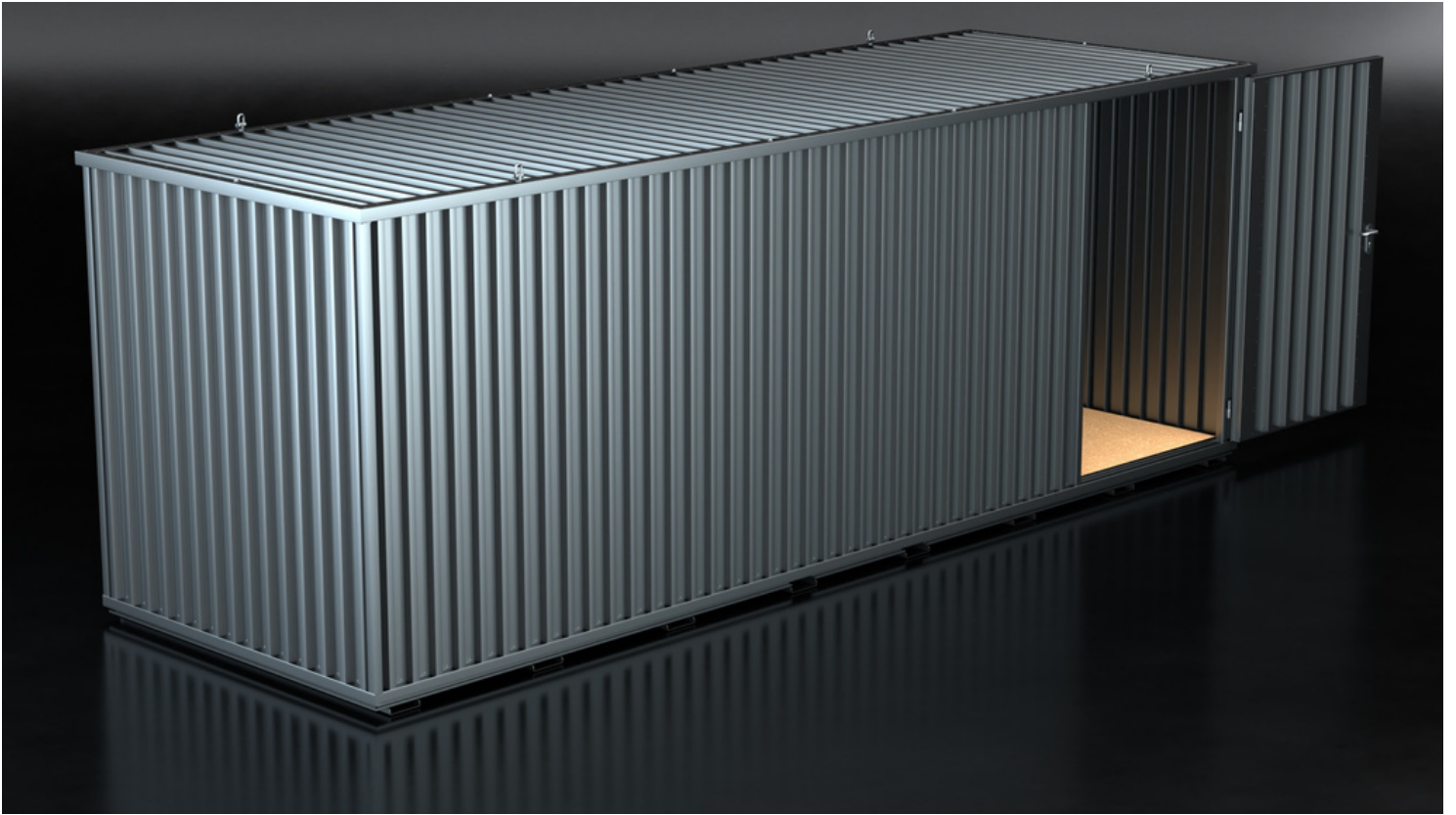


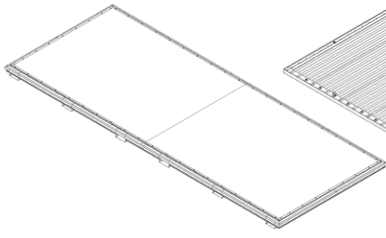
PRODUCT CODE:60.110.440

prefabase
Quick Build Solutions

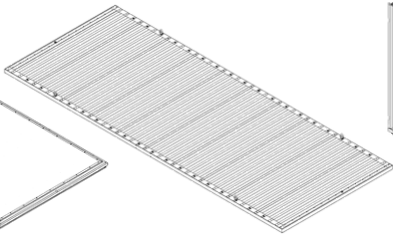
Instructions and User Guide



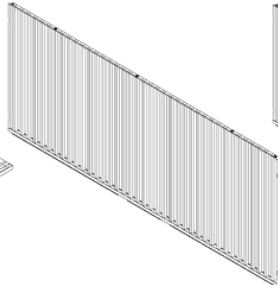
60.0110
1x



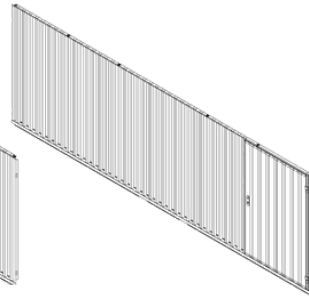
60.0510
1x



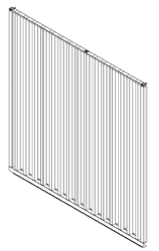
60.0410
1x



60.0440
1x



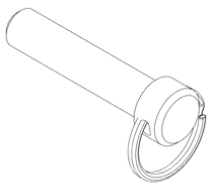
0310
2x



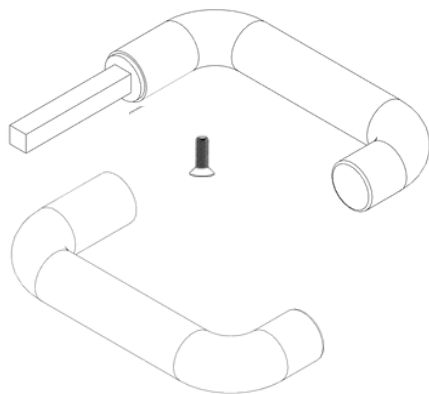
61.101
4x



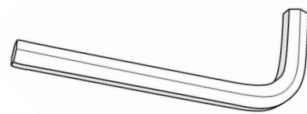
14x



1x



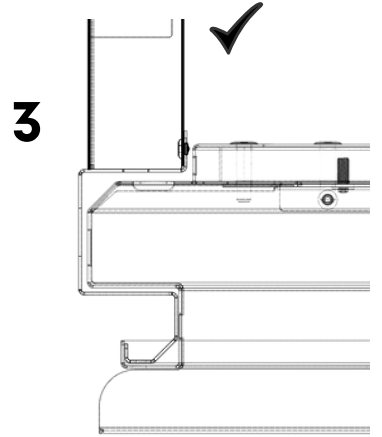
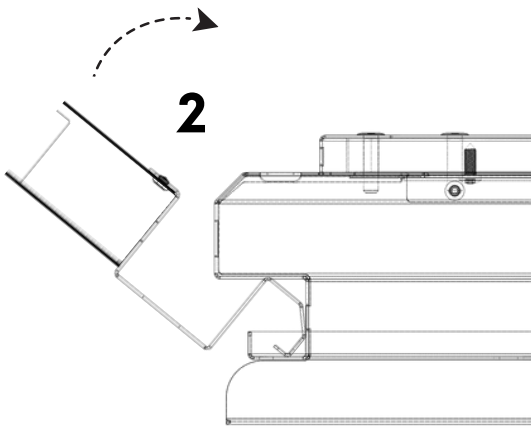
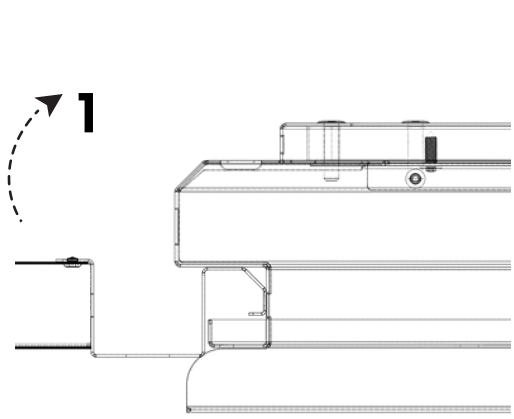
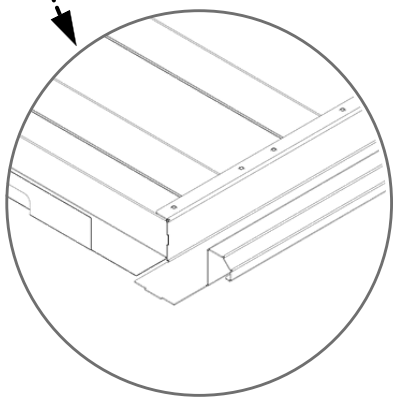
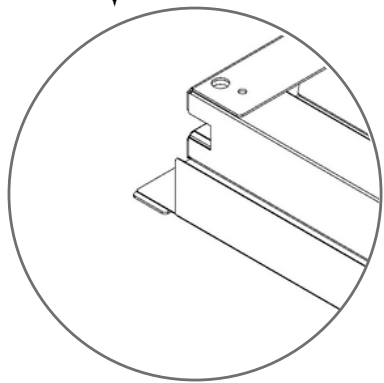
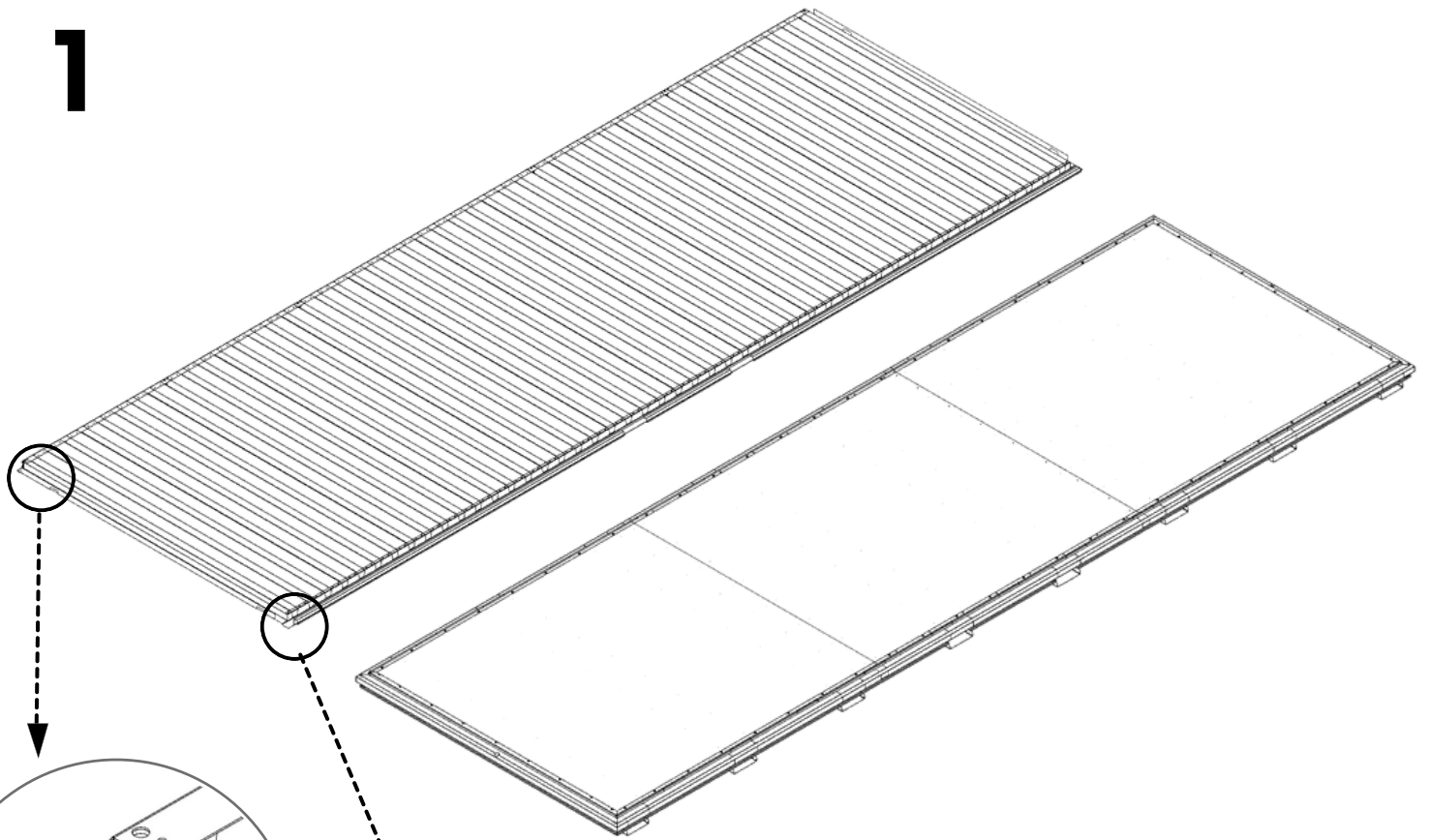
1x



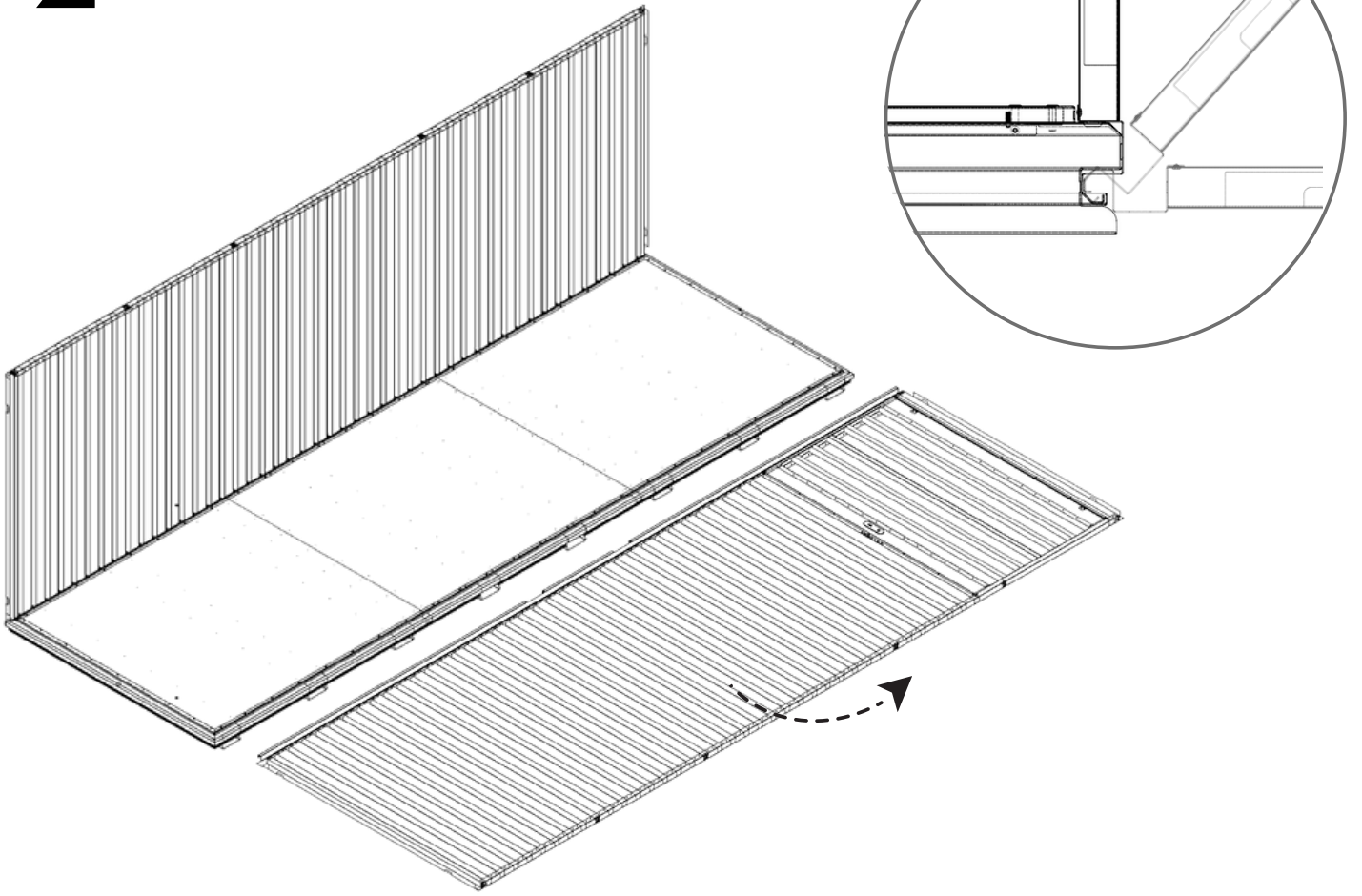
1x



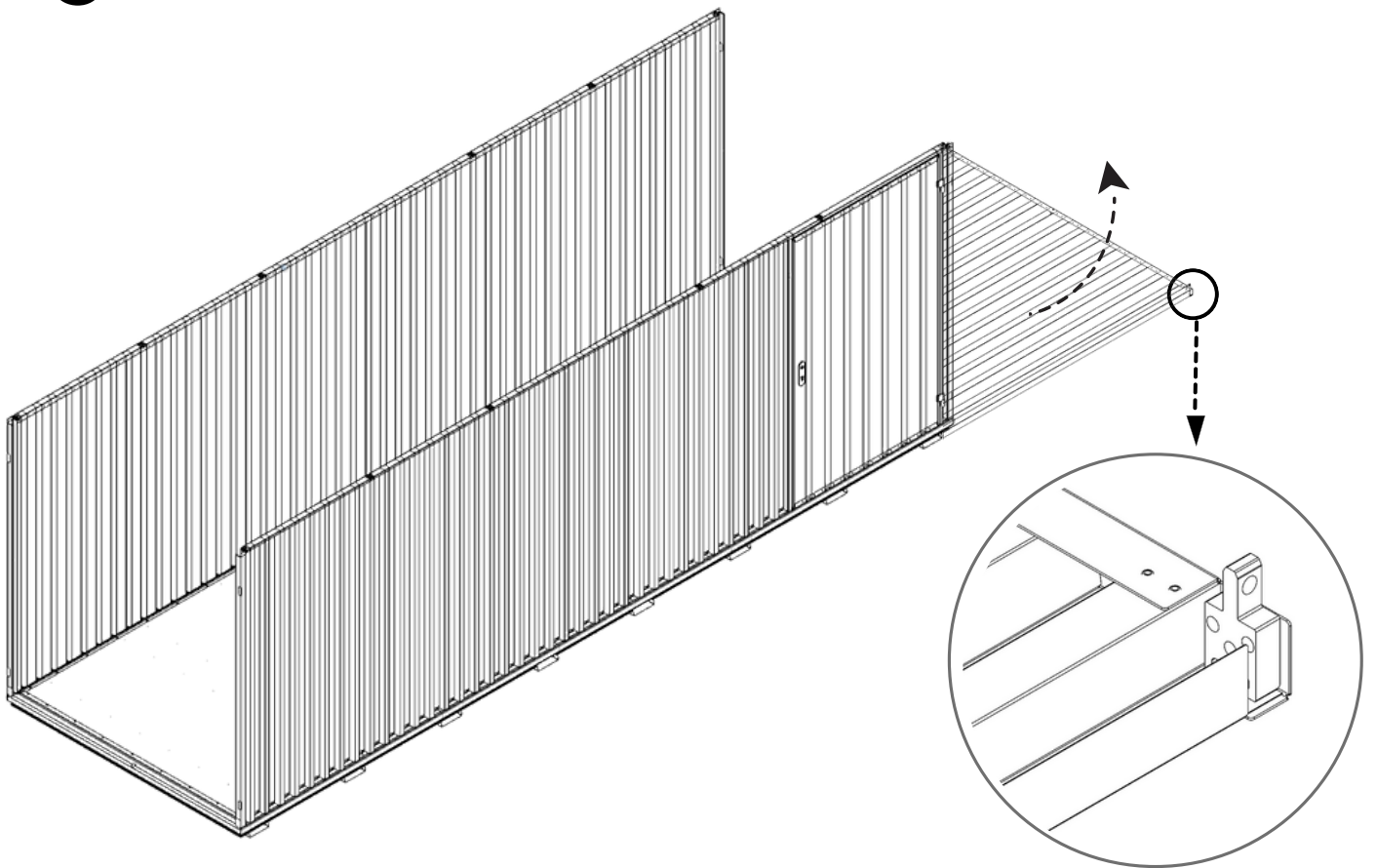
1



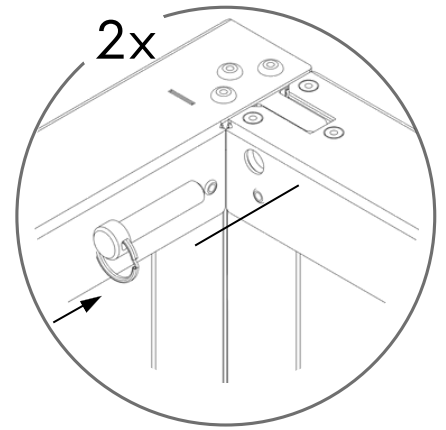
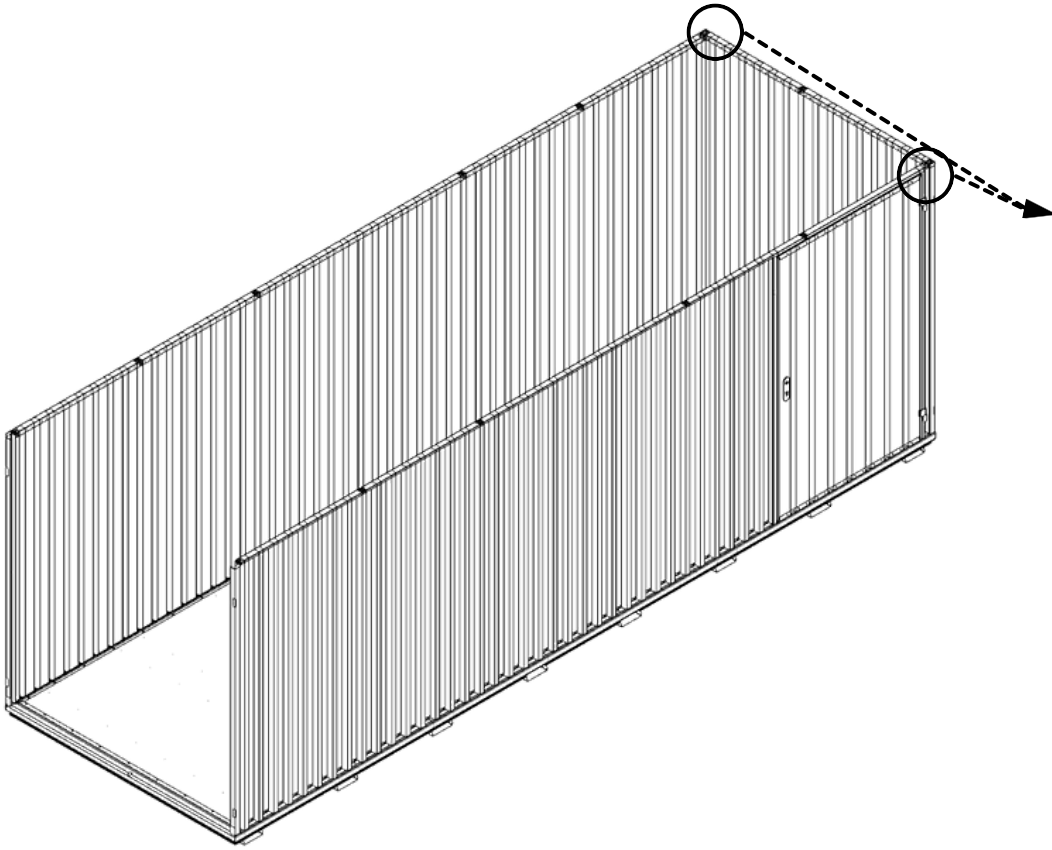
2



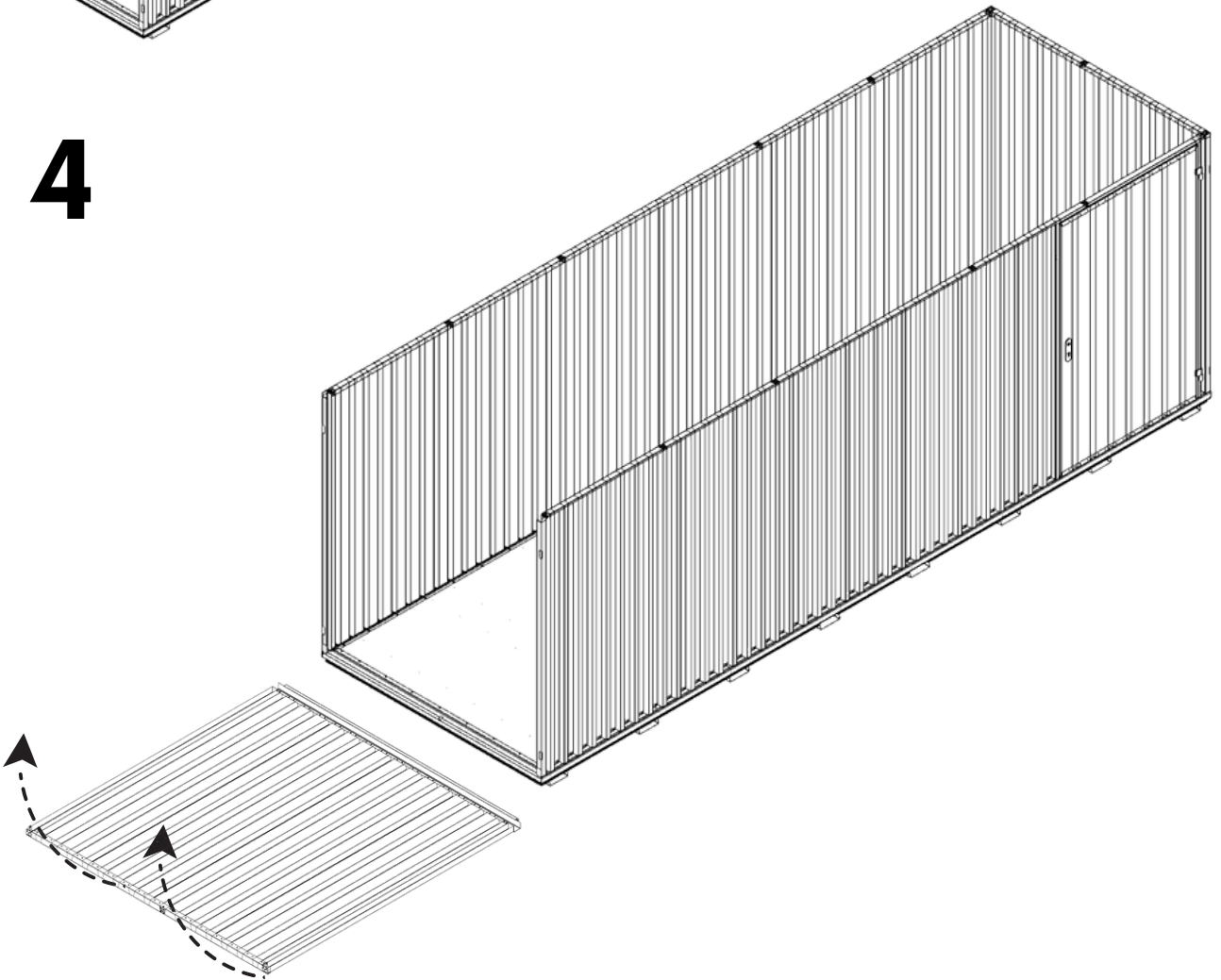
3



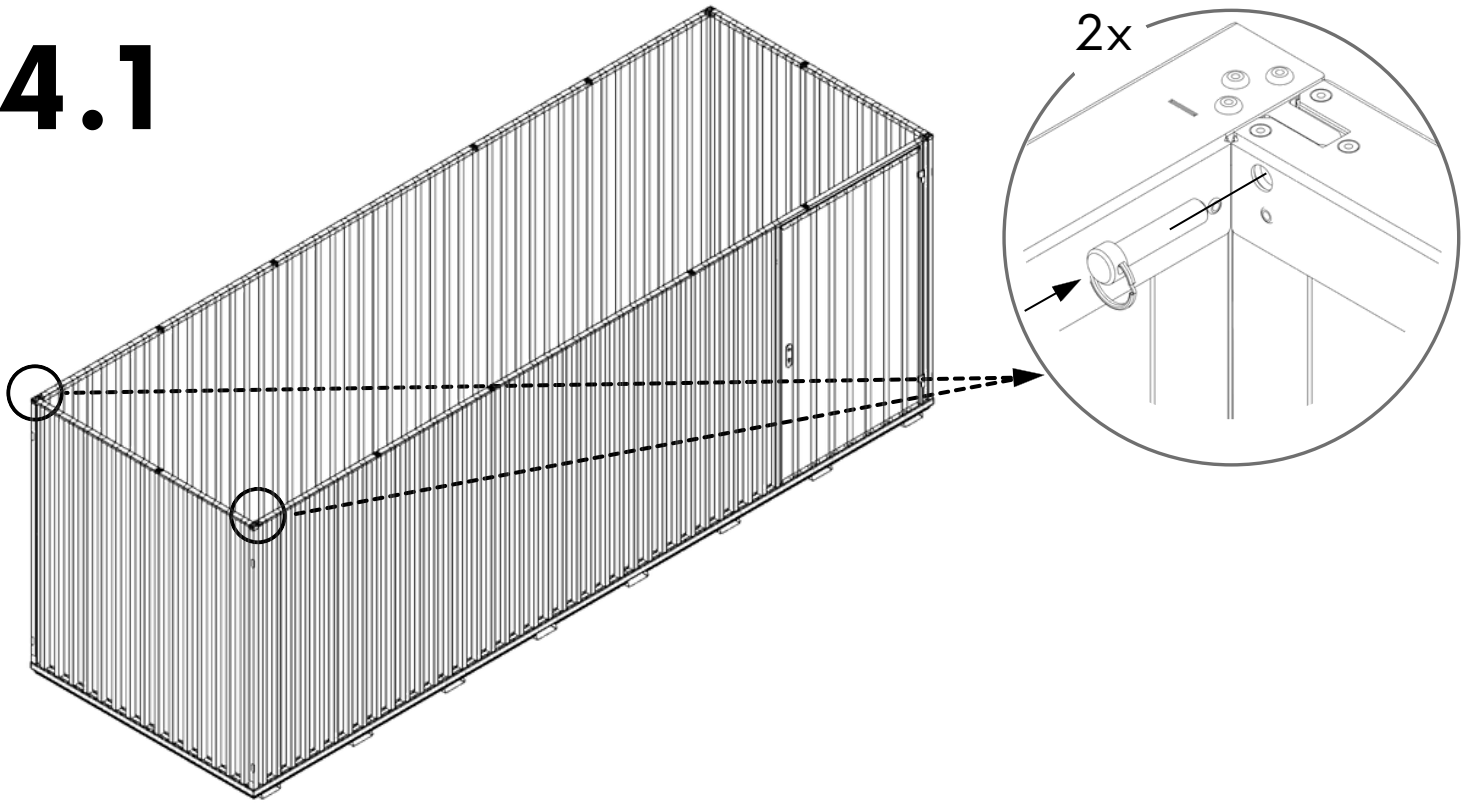
3.1











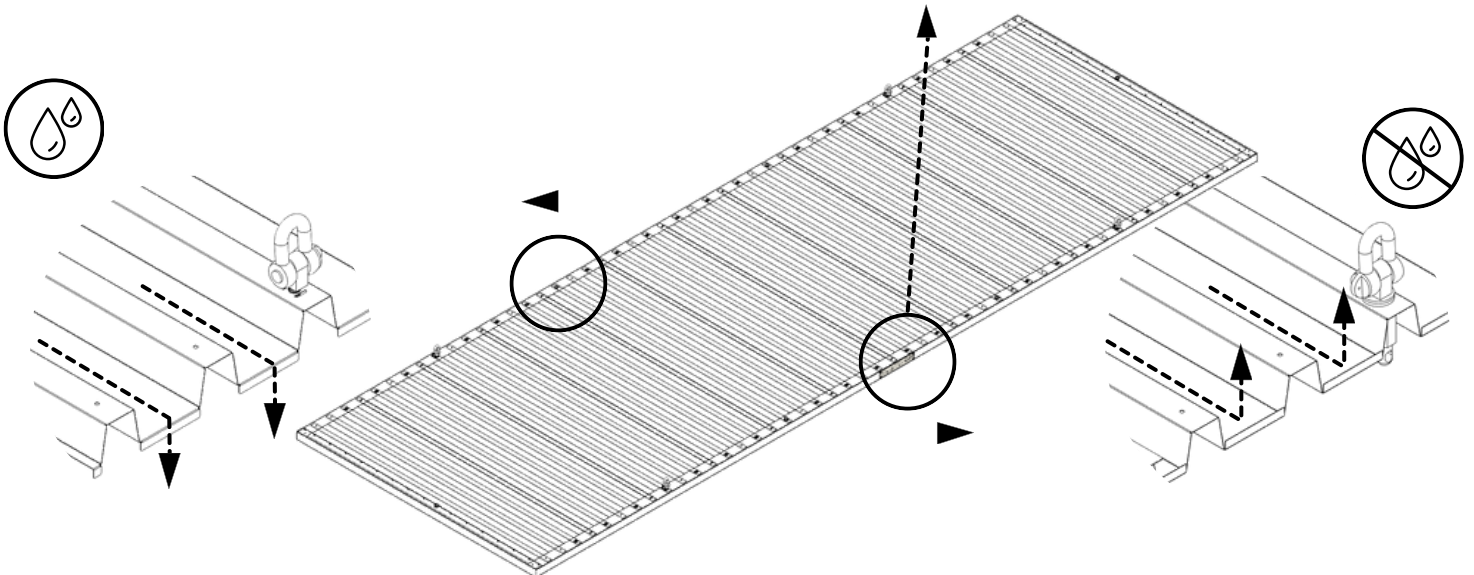
4



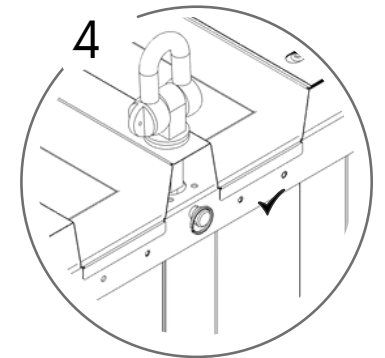
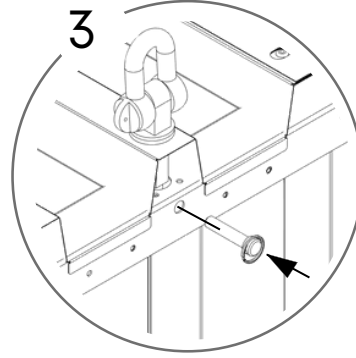
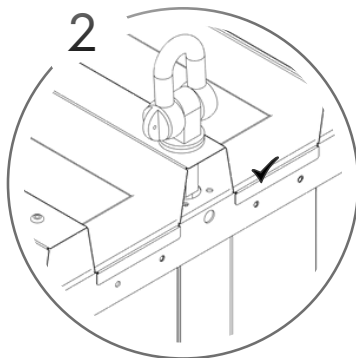
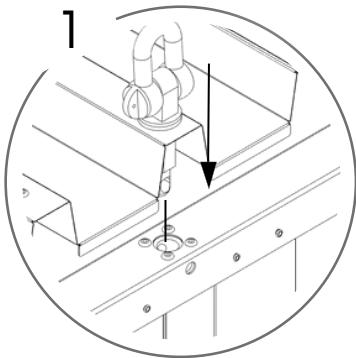
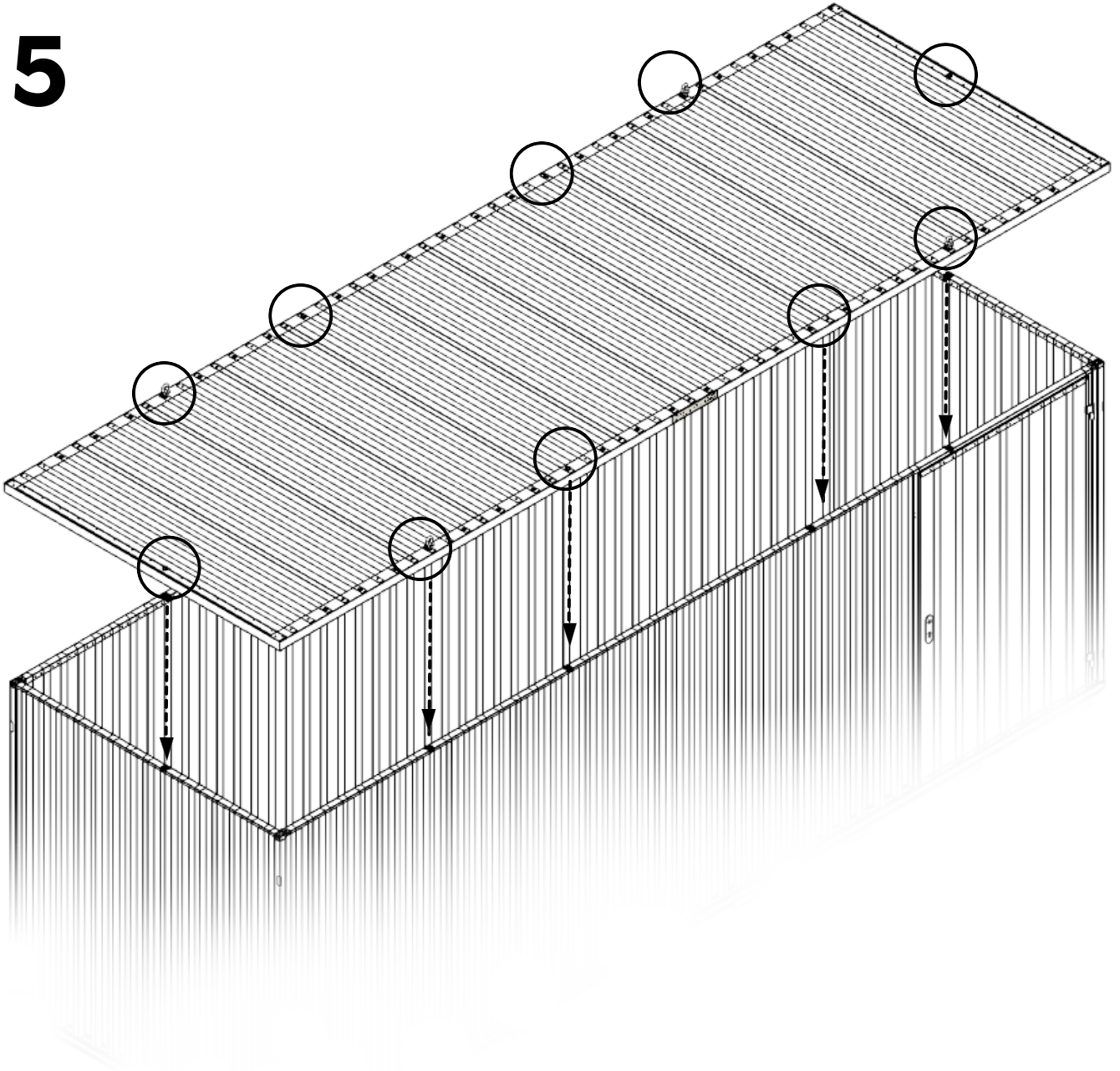
4.1



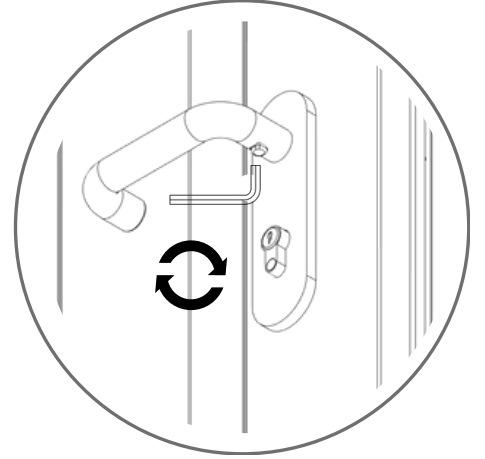
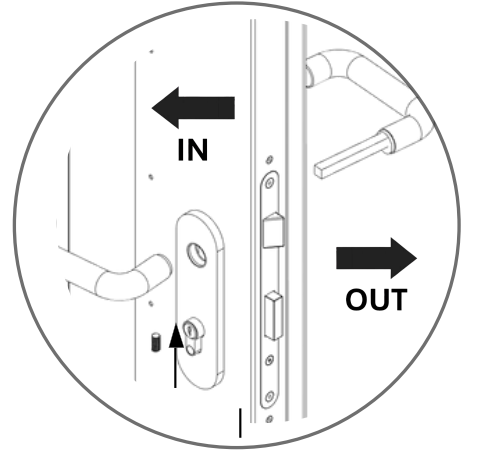
 579 KG	 1640 MM	Model Code: 60.110.440 Production Tracking Code: /X09.1.60.440  9001  14001  50001	 	
---	--	--	---	---



5



6



7

