

PRODUCT CODE: 20.110.330

prefabase
Quick Build Solutions

Instructions and User Guide



20.0110
1x

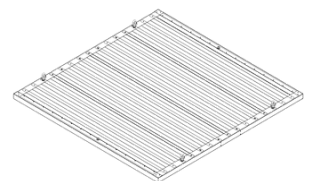
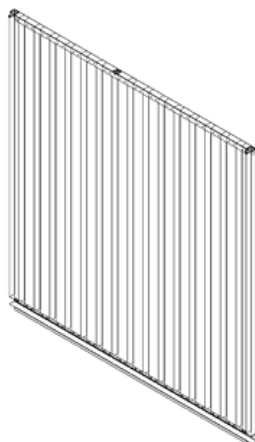
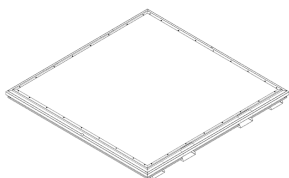
20.0410
2x

0310
1x

0210/0320/0330
1x

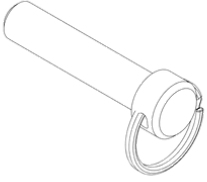
20.0510
1x

0099.61.101
2x

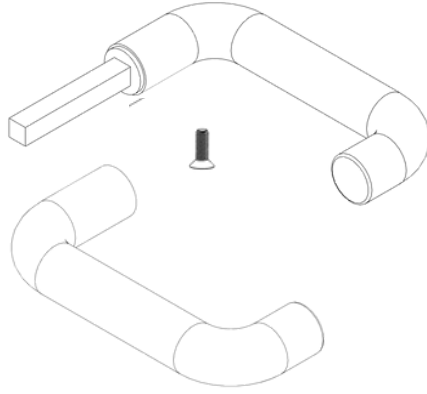




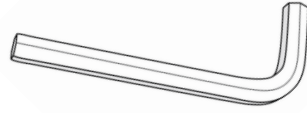
10x



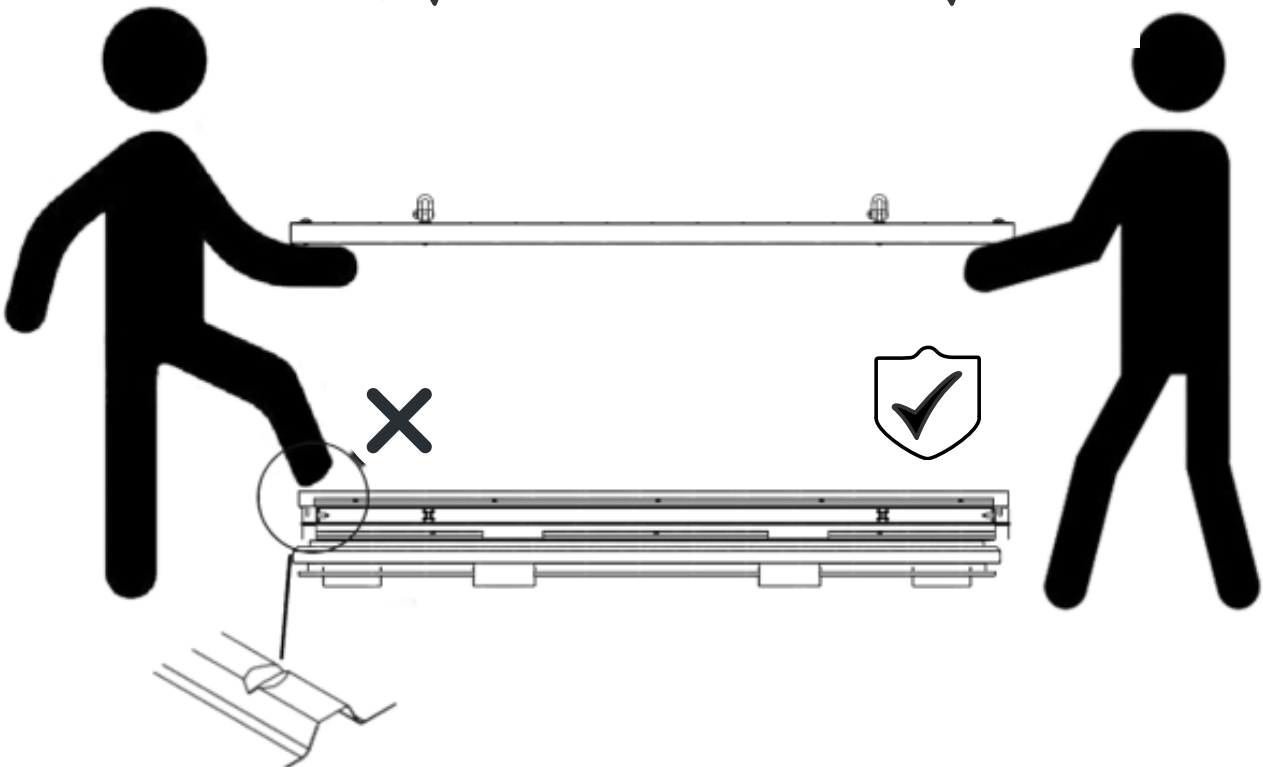
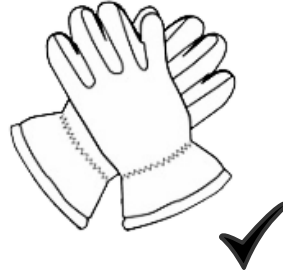
1x



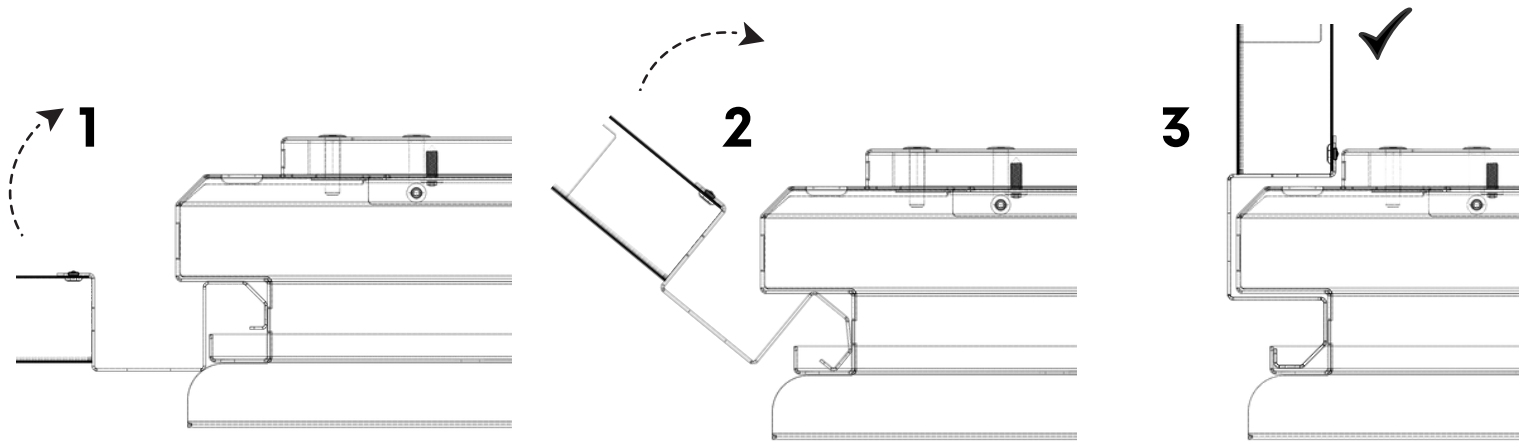
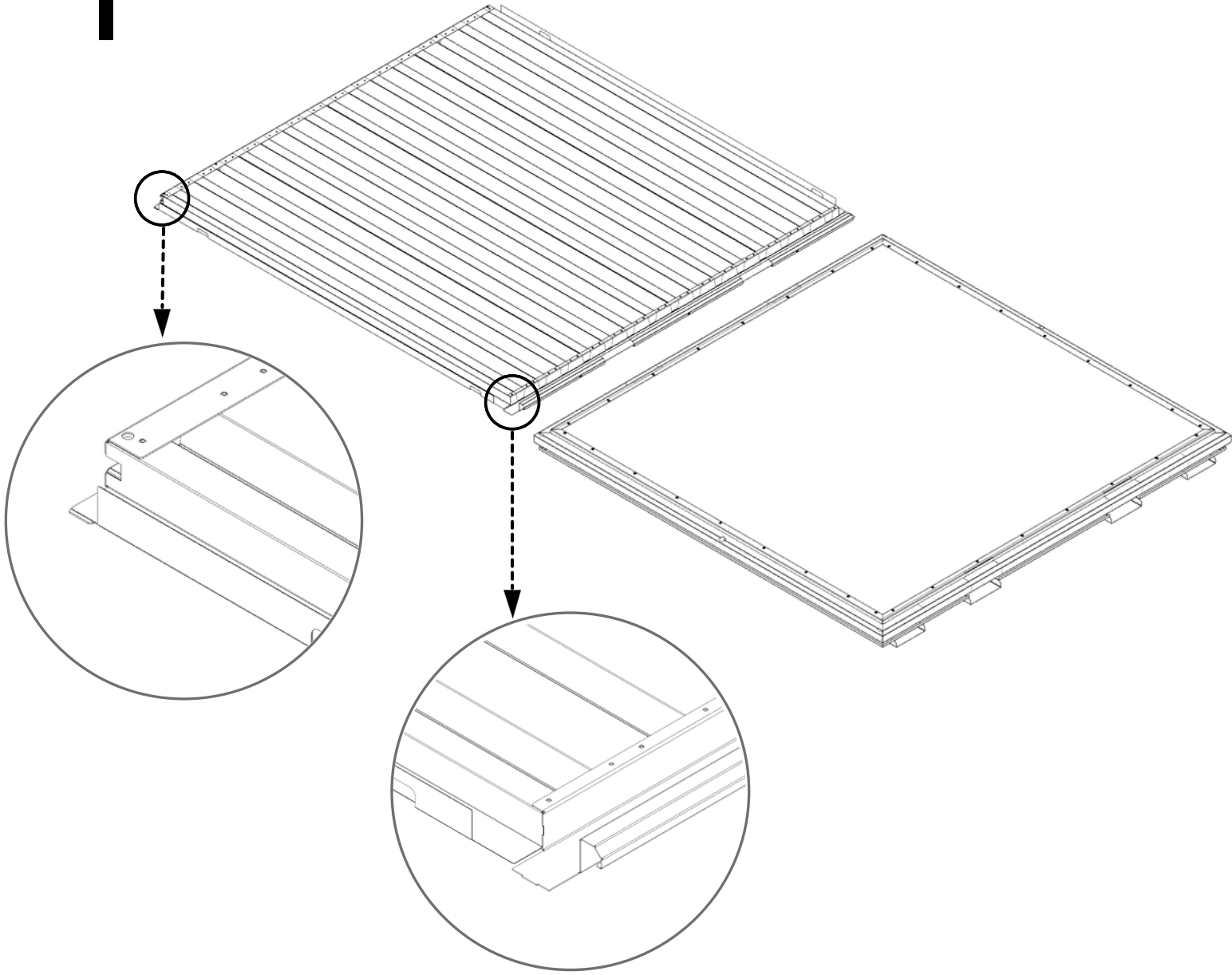
1x



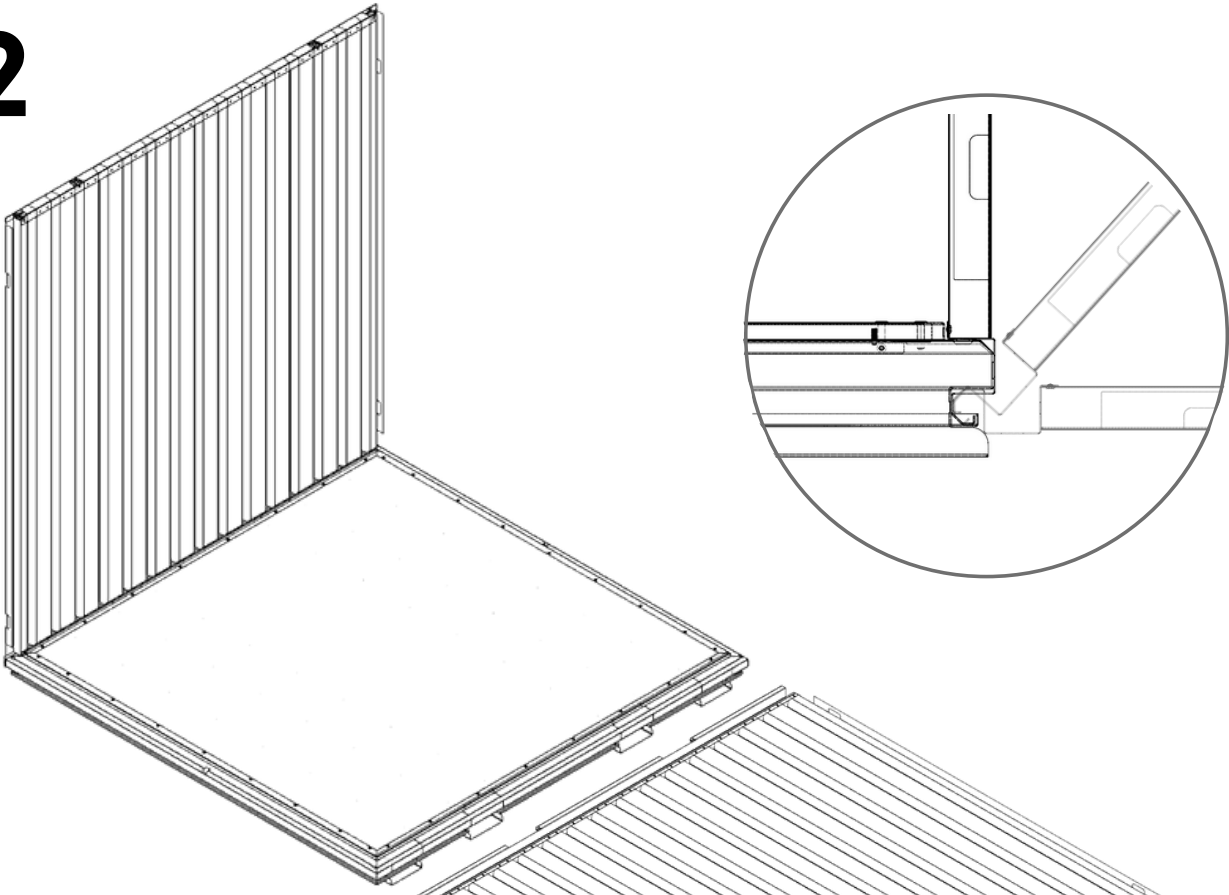
1x



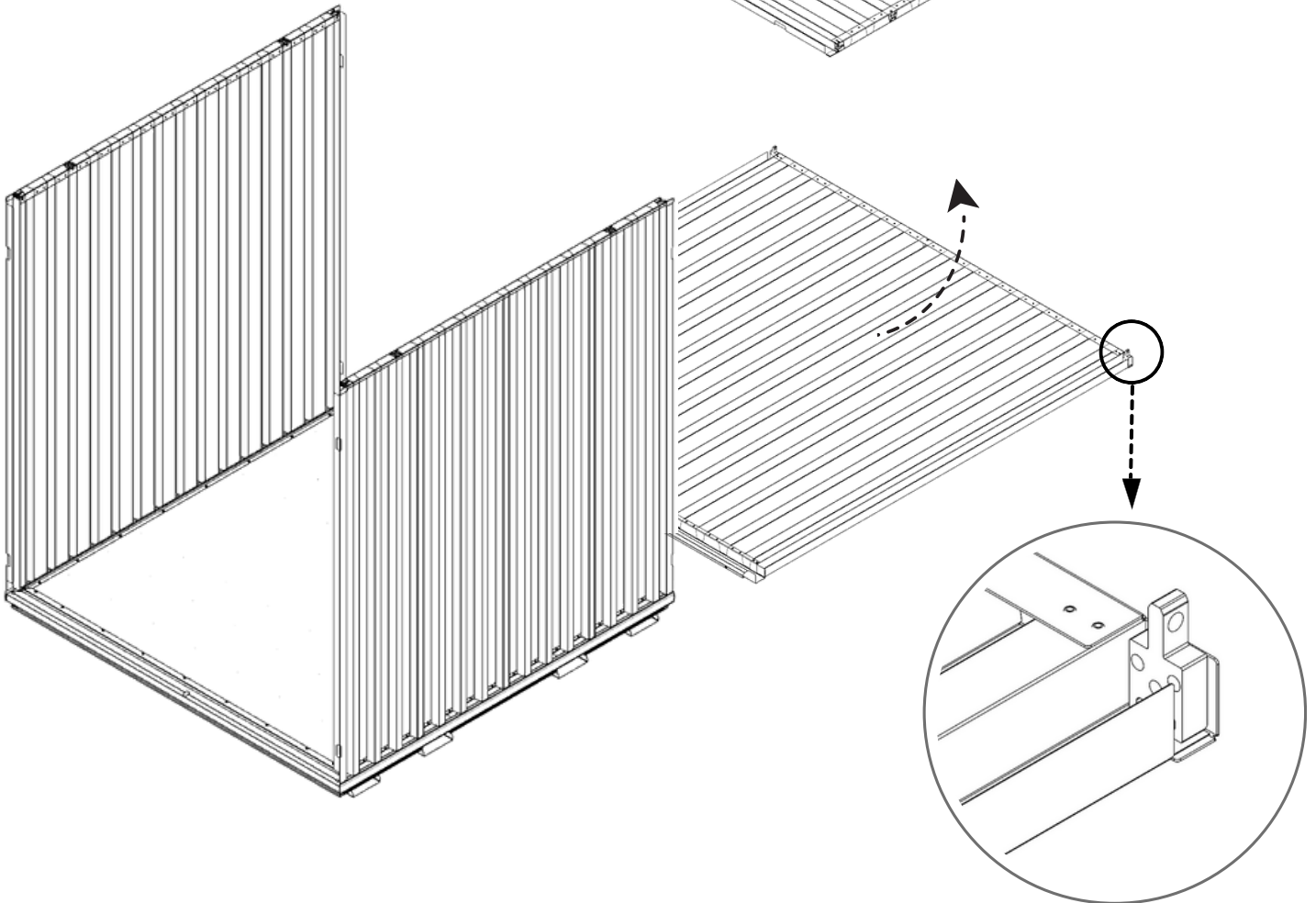
1



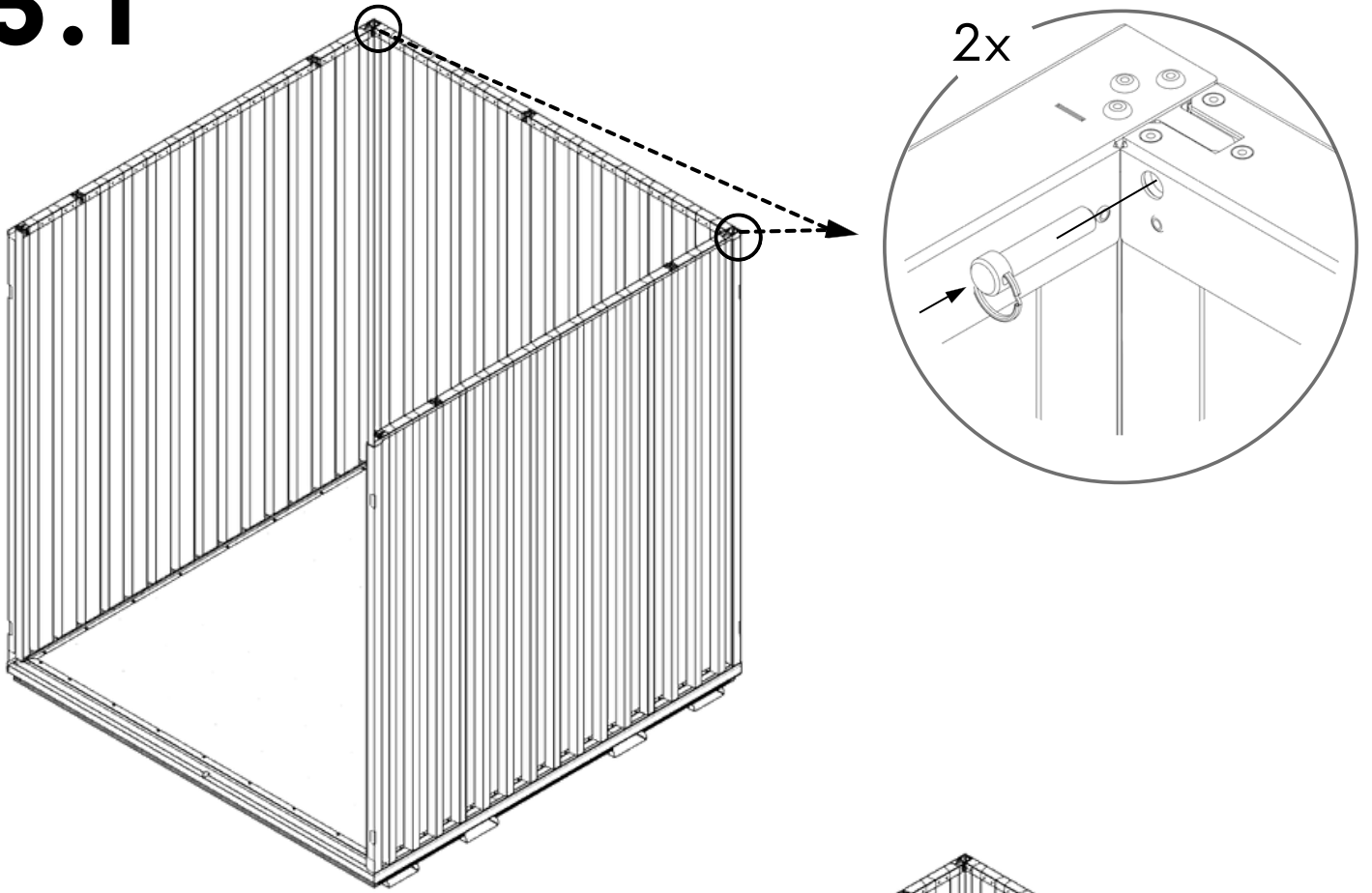
2



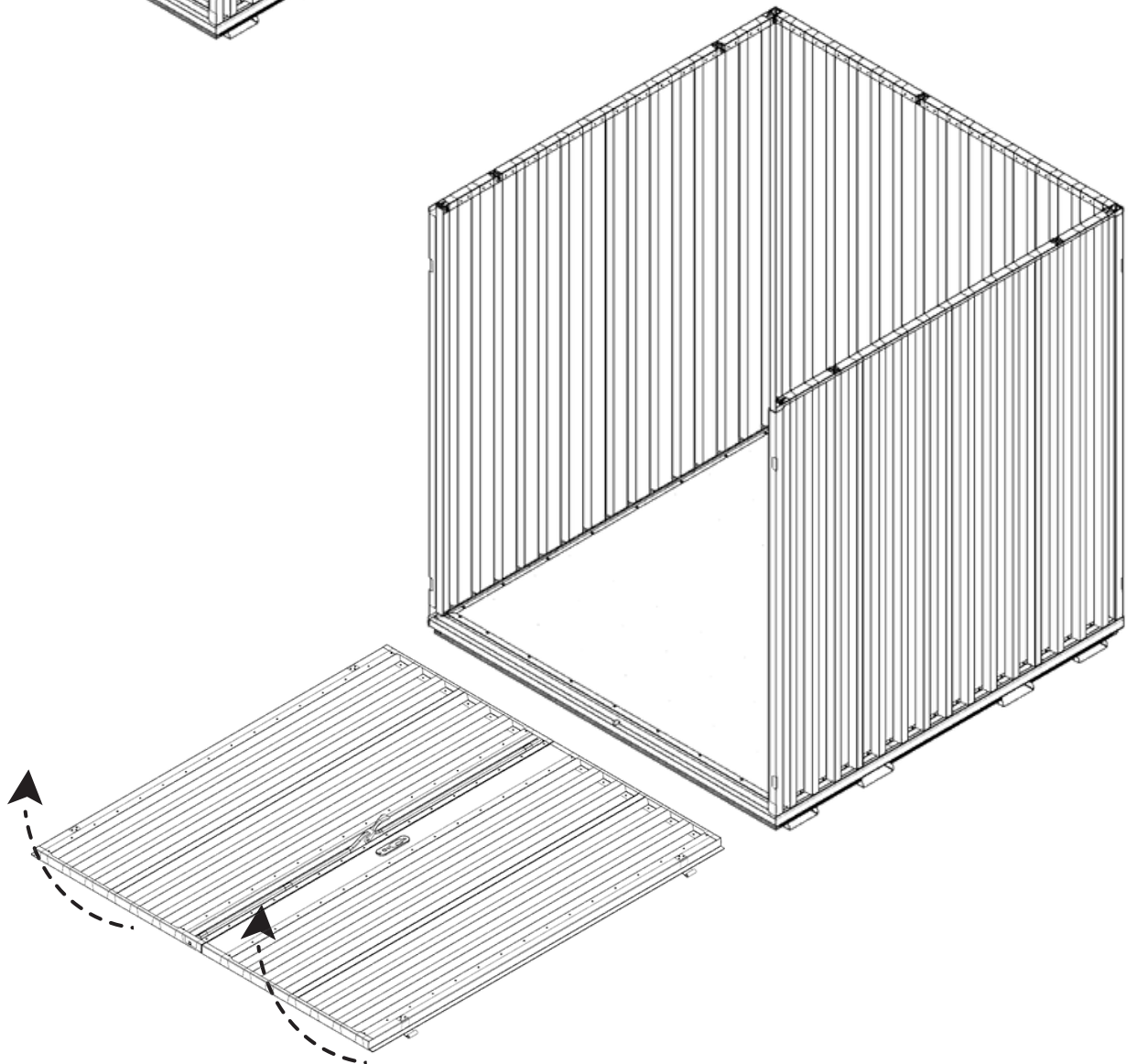
3



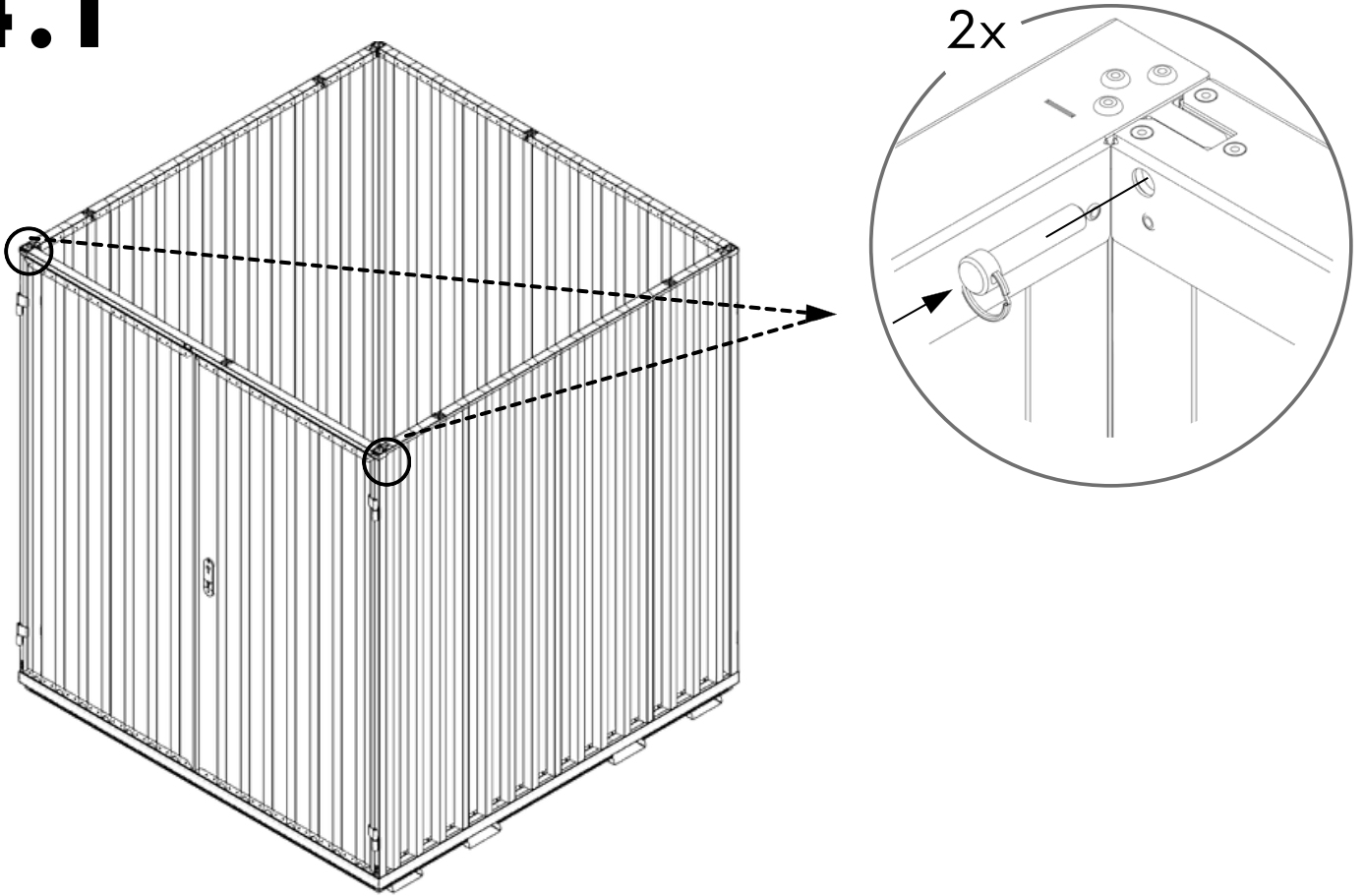
3.1












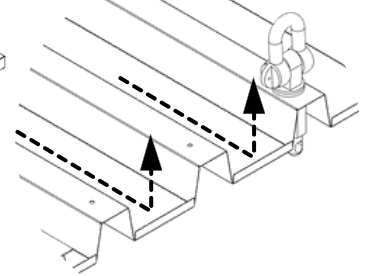
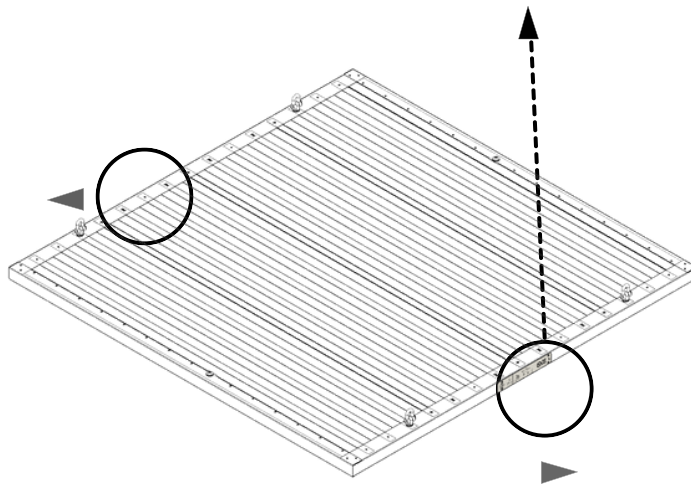
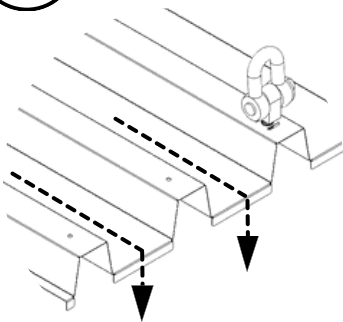
4



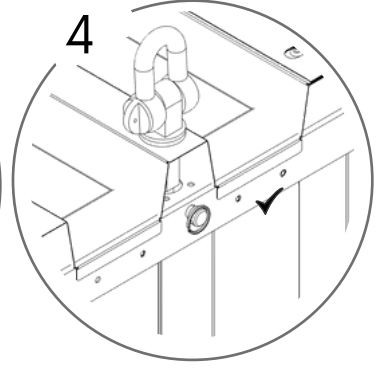
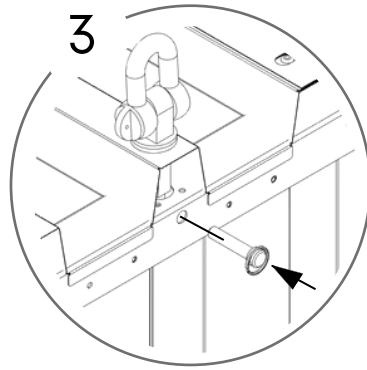
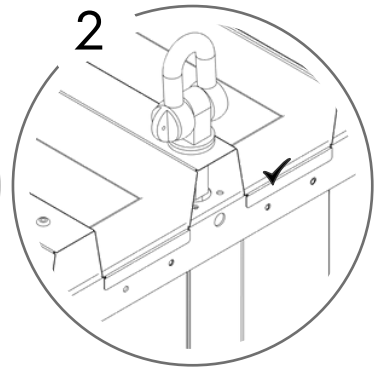
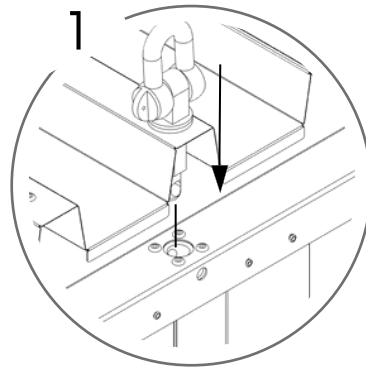
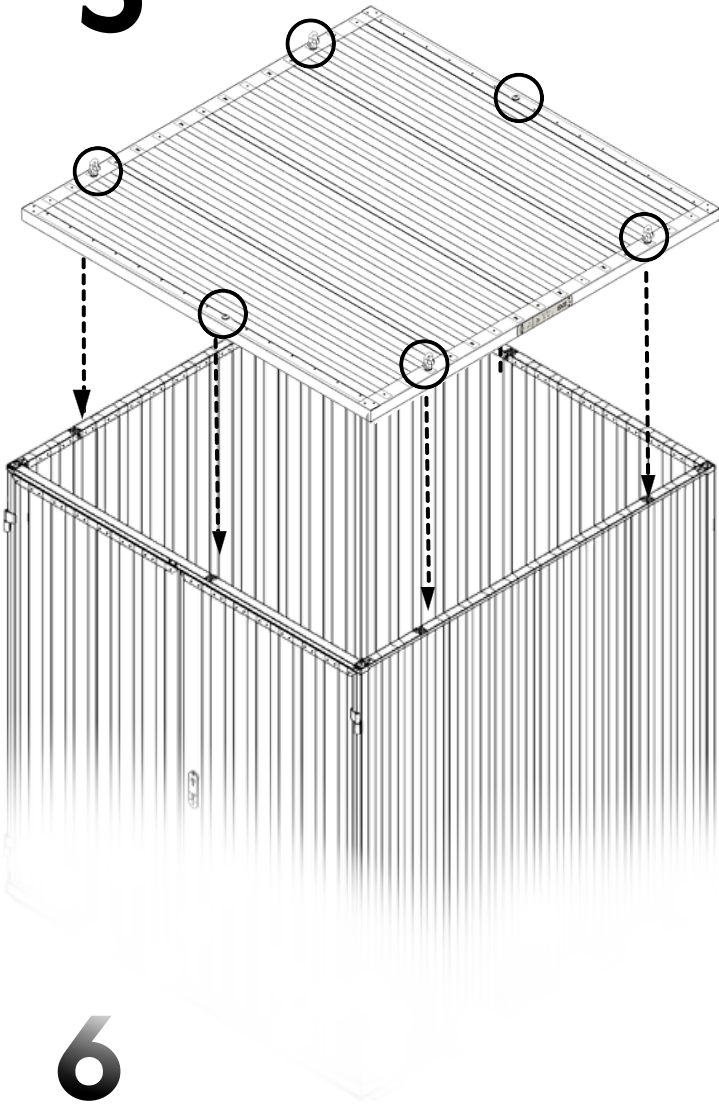
4.1



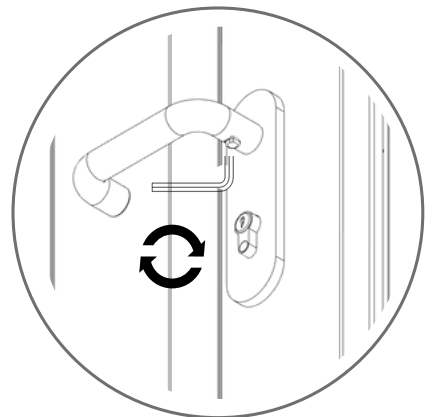
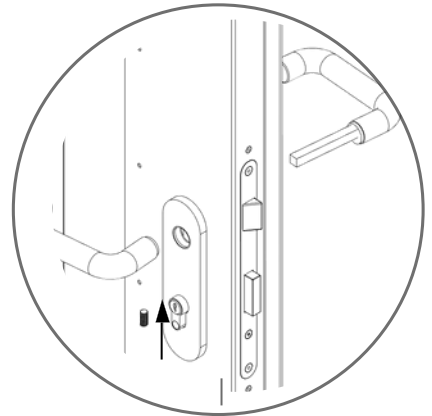
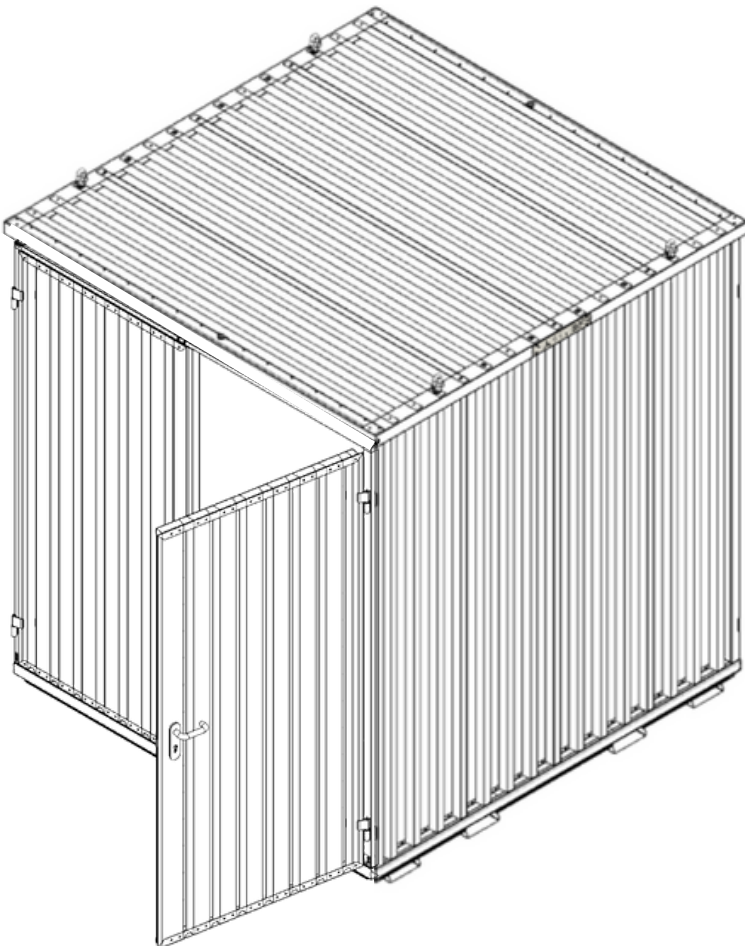
 337 KG	 3 TON	 1640 MM	Model Code: 30.110.420 Production Tracking Code:/X09.1.30.420  9001  14001  50001	  
-----------------------------------------------------------------------------------------------	----------------------------------------------------------------------------------------------	------------------------------------------------------------------------------------------------	----------------------------------------------------------------------------------------------------------------------------------------------------------------------------------------------------------------------------------------------------------------------------------------------------------------------------------------------------------------	-------------------------------------------------------------------------------------------------------------------------------------------------------------------------------------------------------------------------------------------------------------------



5



6



7

