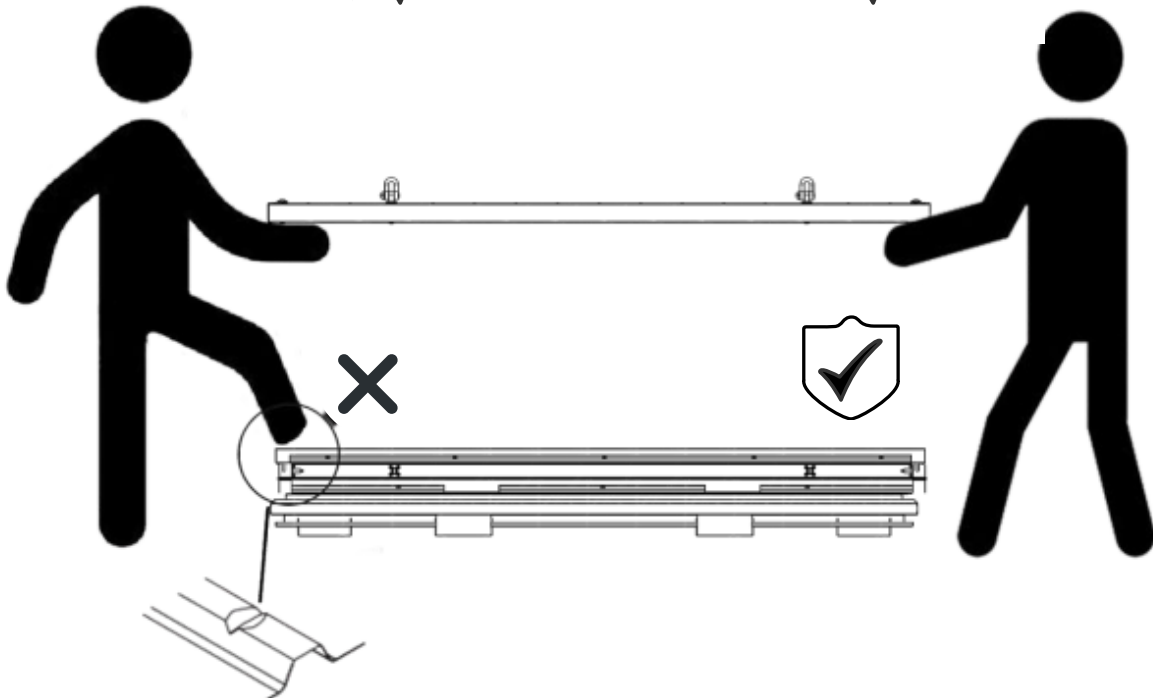
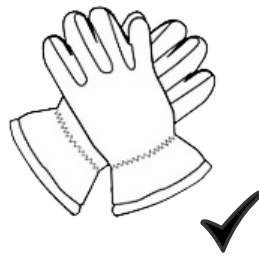
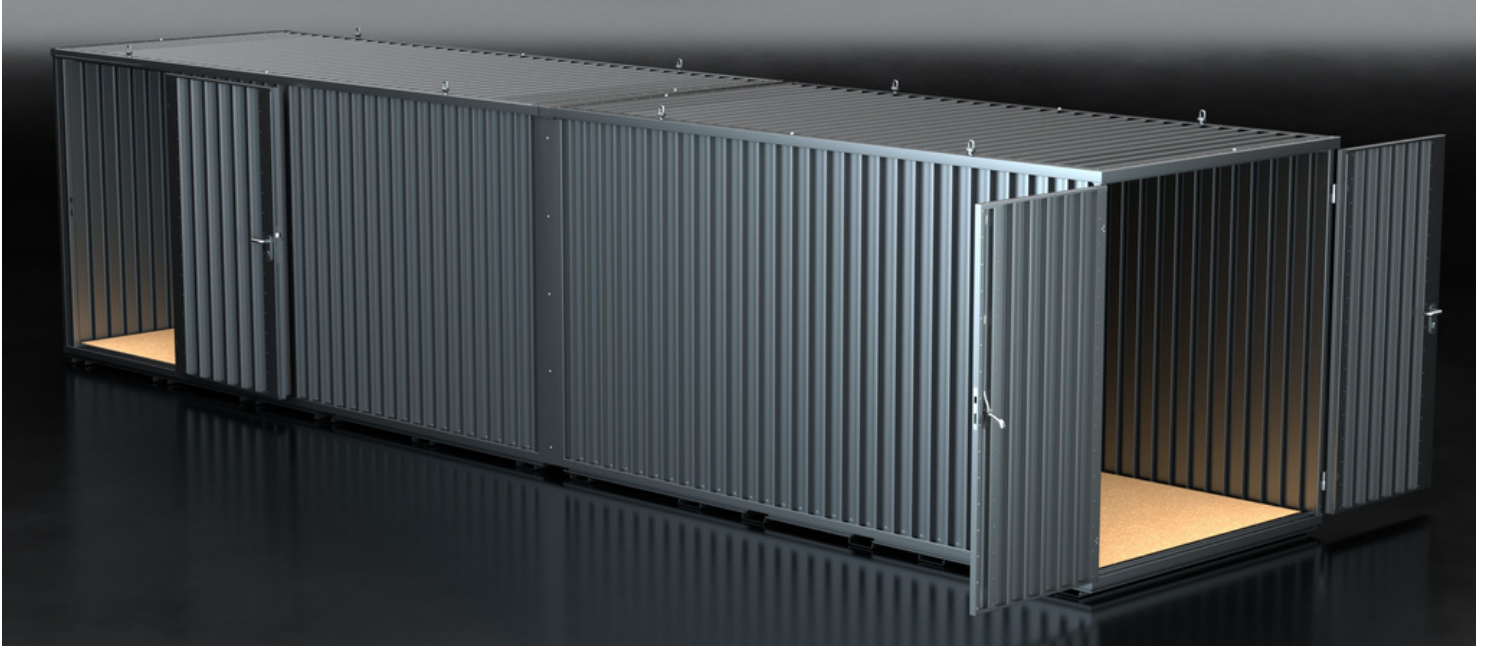


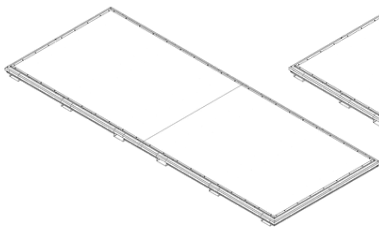
PRODUCT CODE:5040.110.450.330

**prefabase**  
Quick Build Solutions

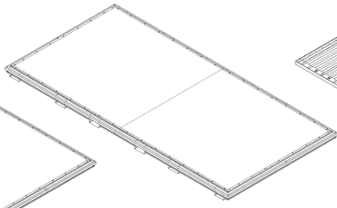
Instructions and User Guide



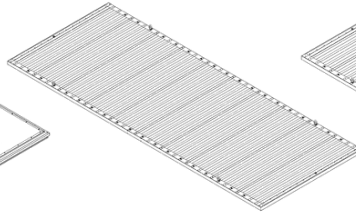
50.0110  
1x



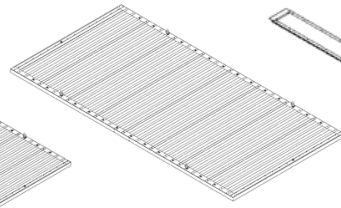
40.0110  
1x



50.0510  
1x



40.0510  
1x



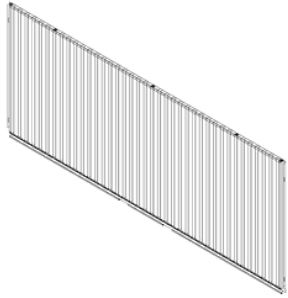
306.0110  
1x



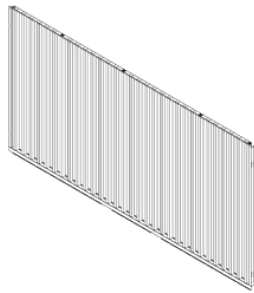
306.0510  
1x



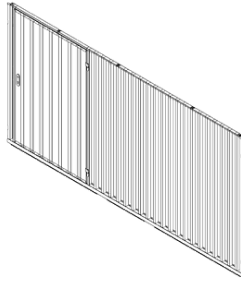
50.0410  
2x



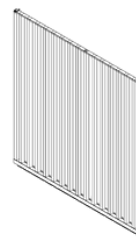
40.0410  
1x



40.0450  
1x



0310  
1x



0330  
1x



306.40.05  
2x



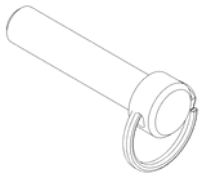
306.40.04  
2x



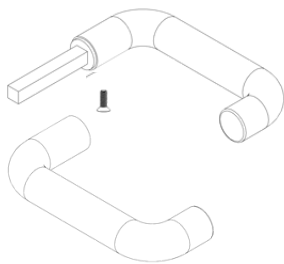
61.101  
2x



24x



2x



10x



10x



10x



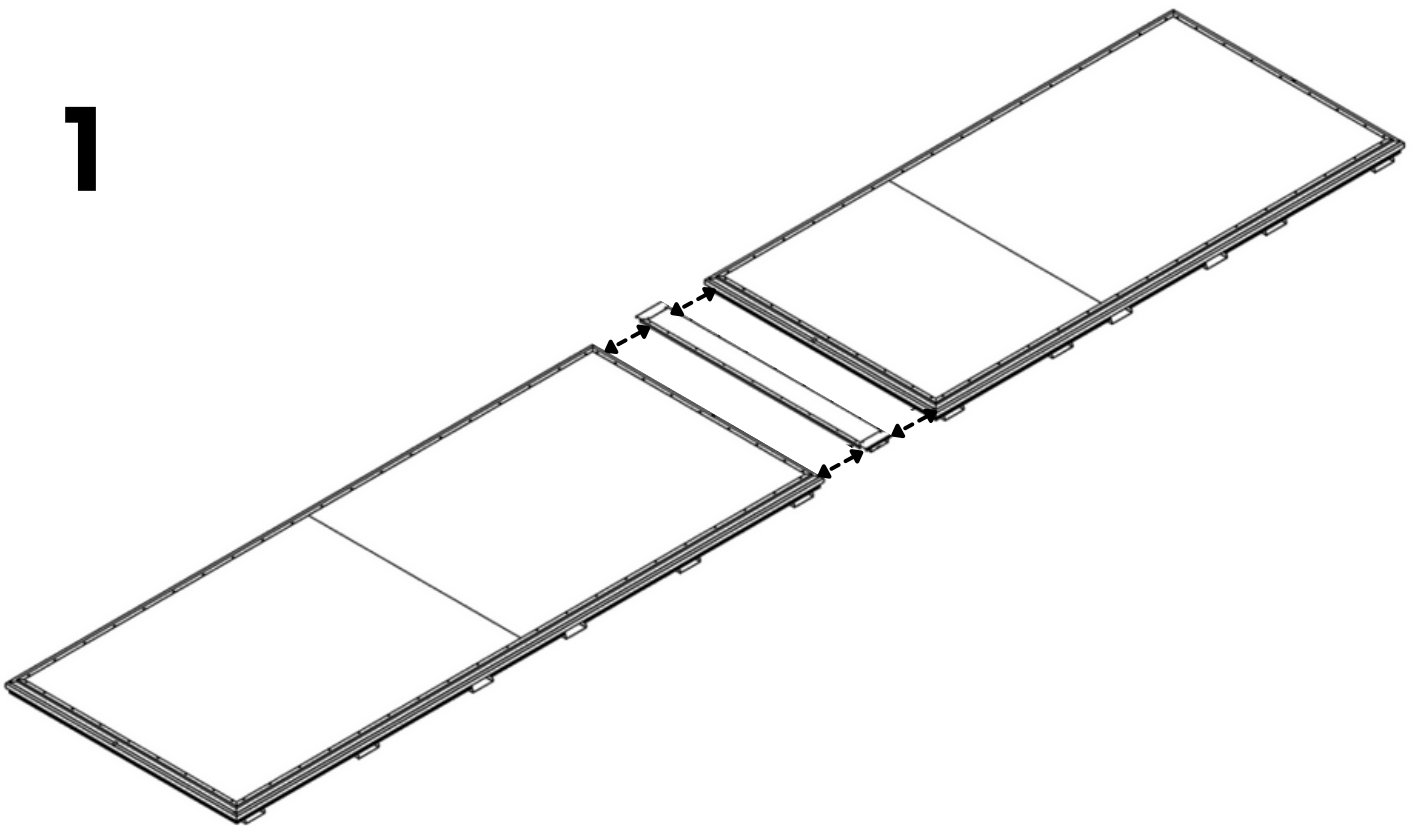
1x



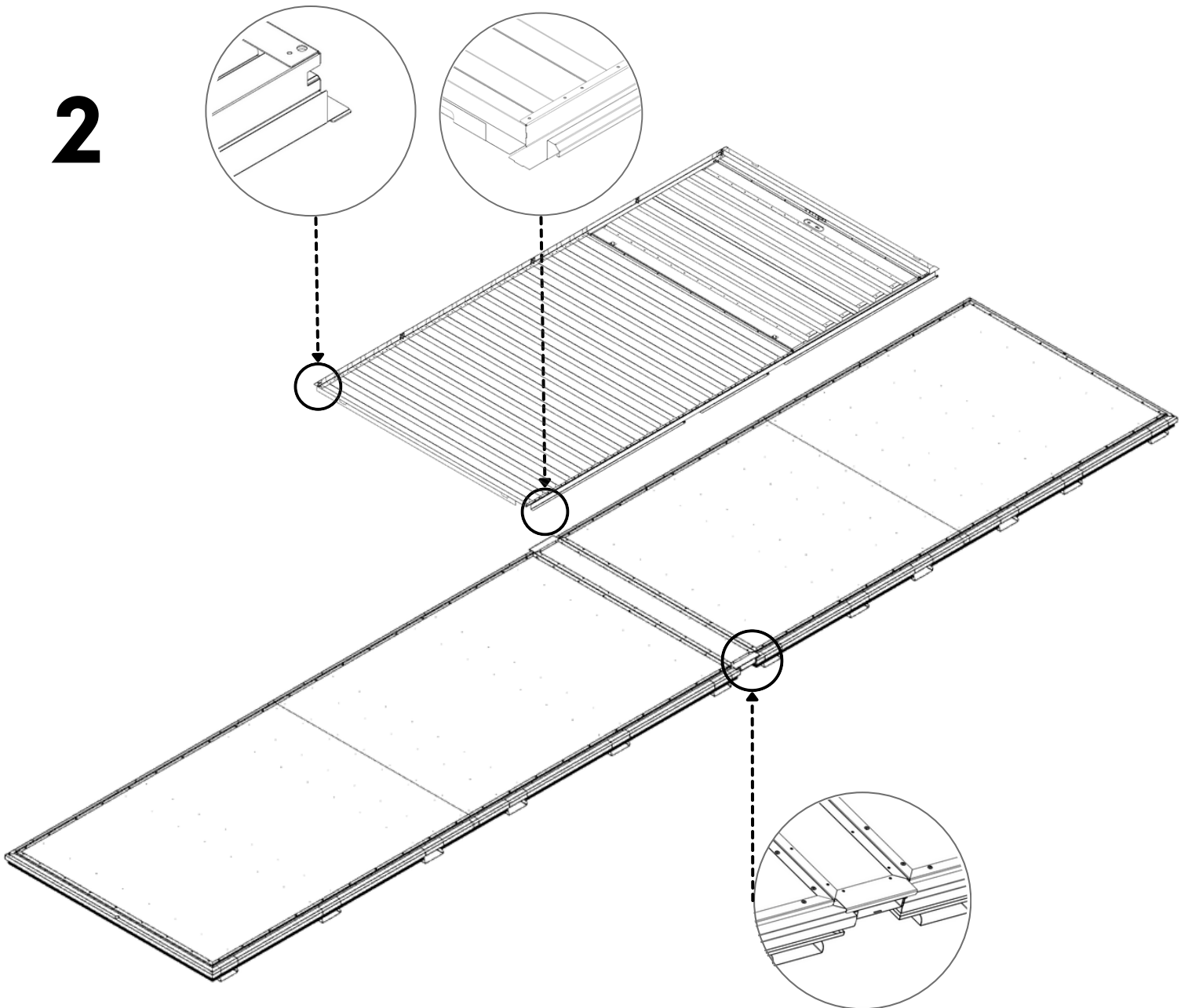
2x

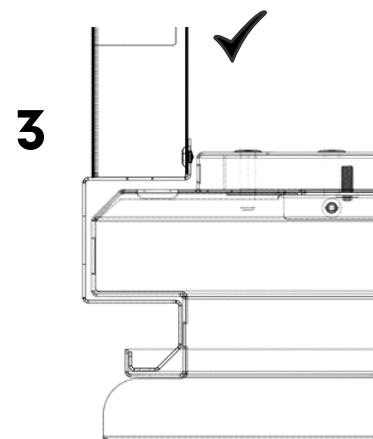
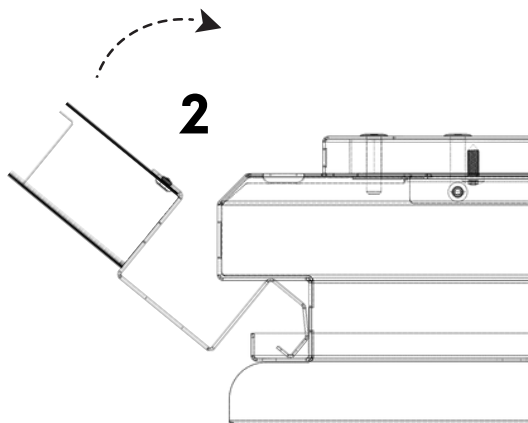
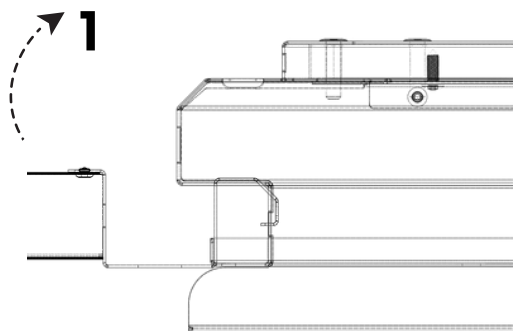


**1**

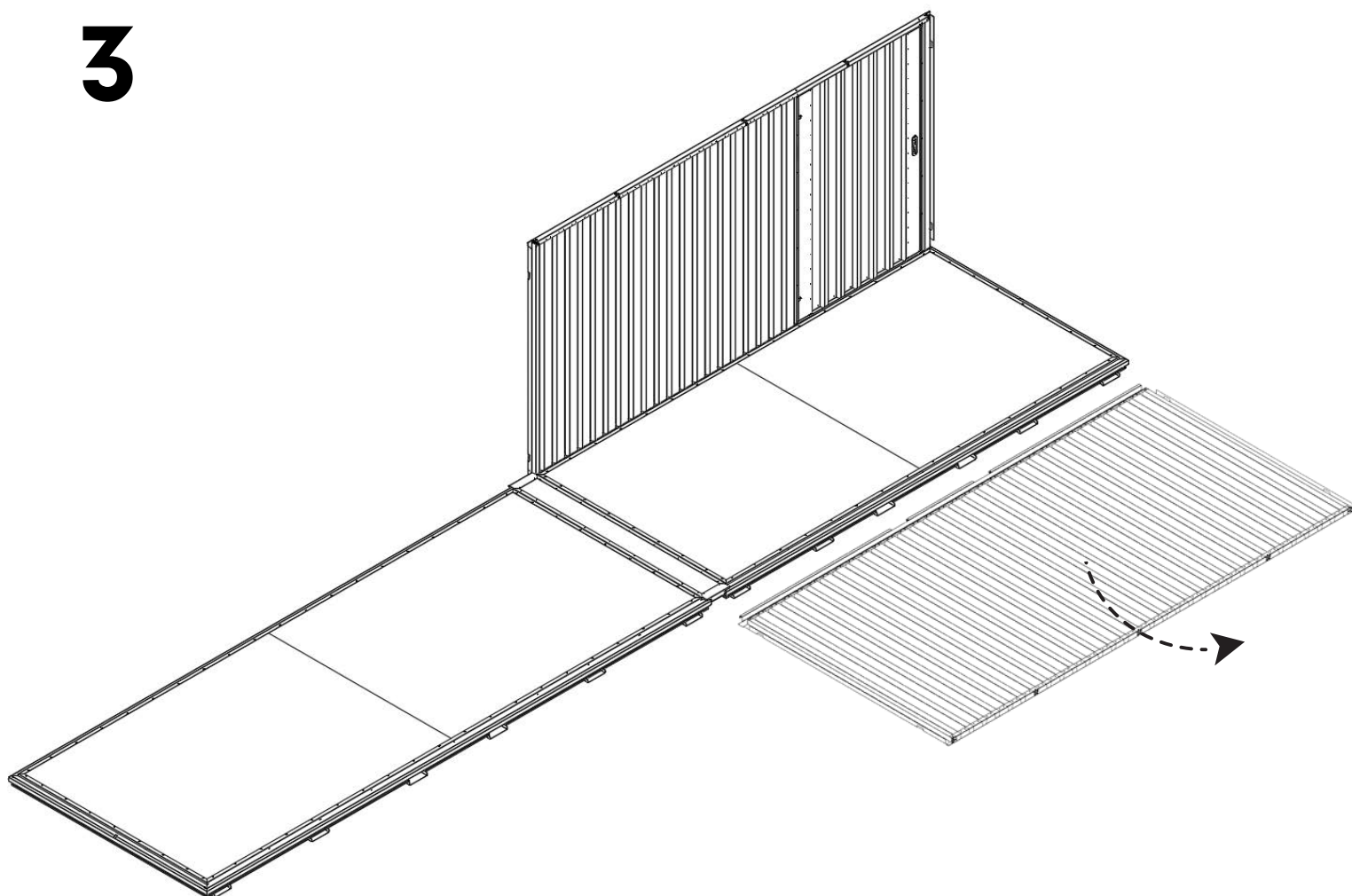


**2**

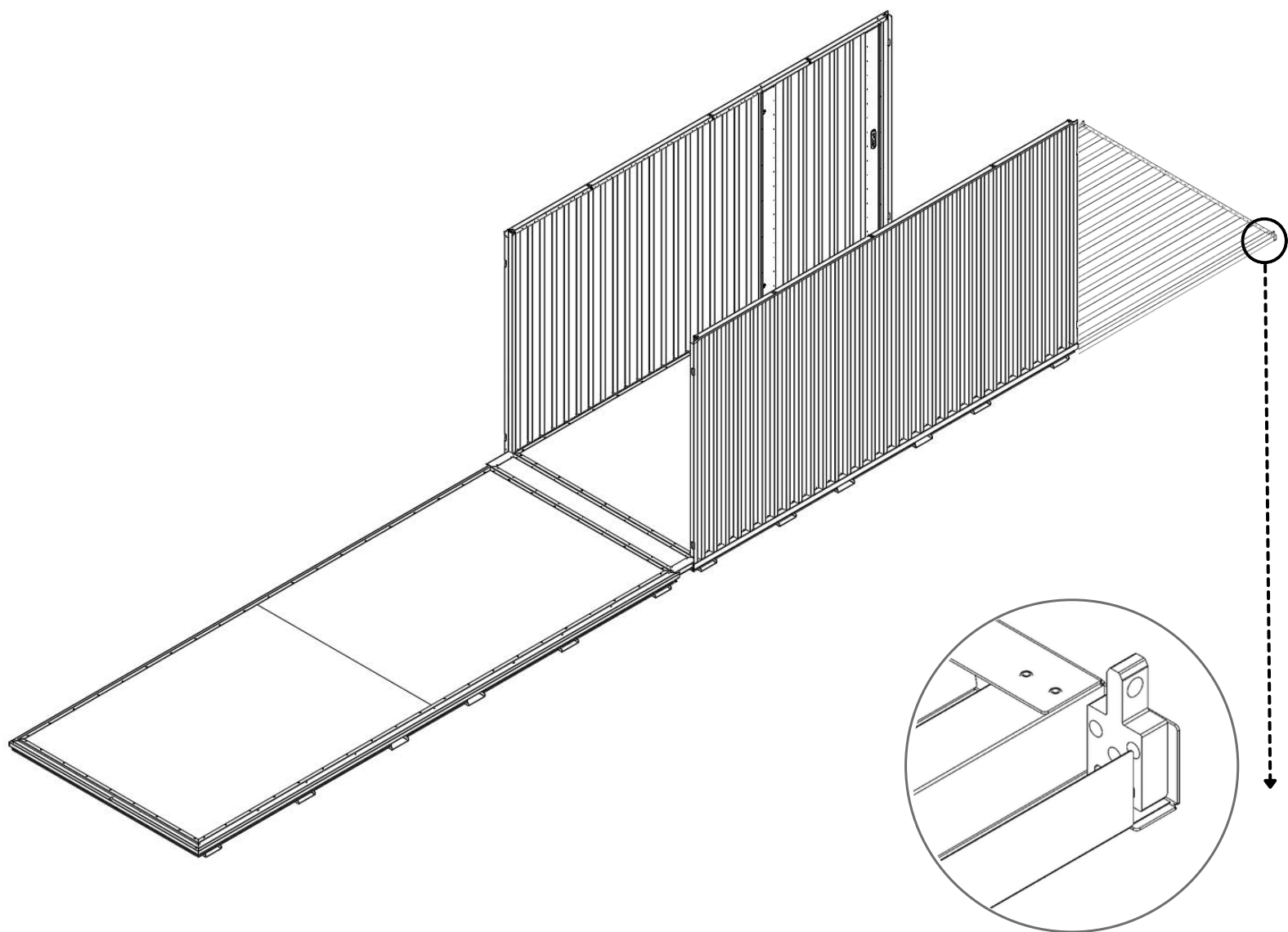




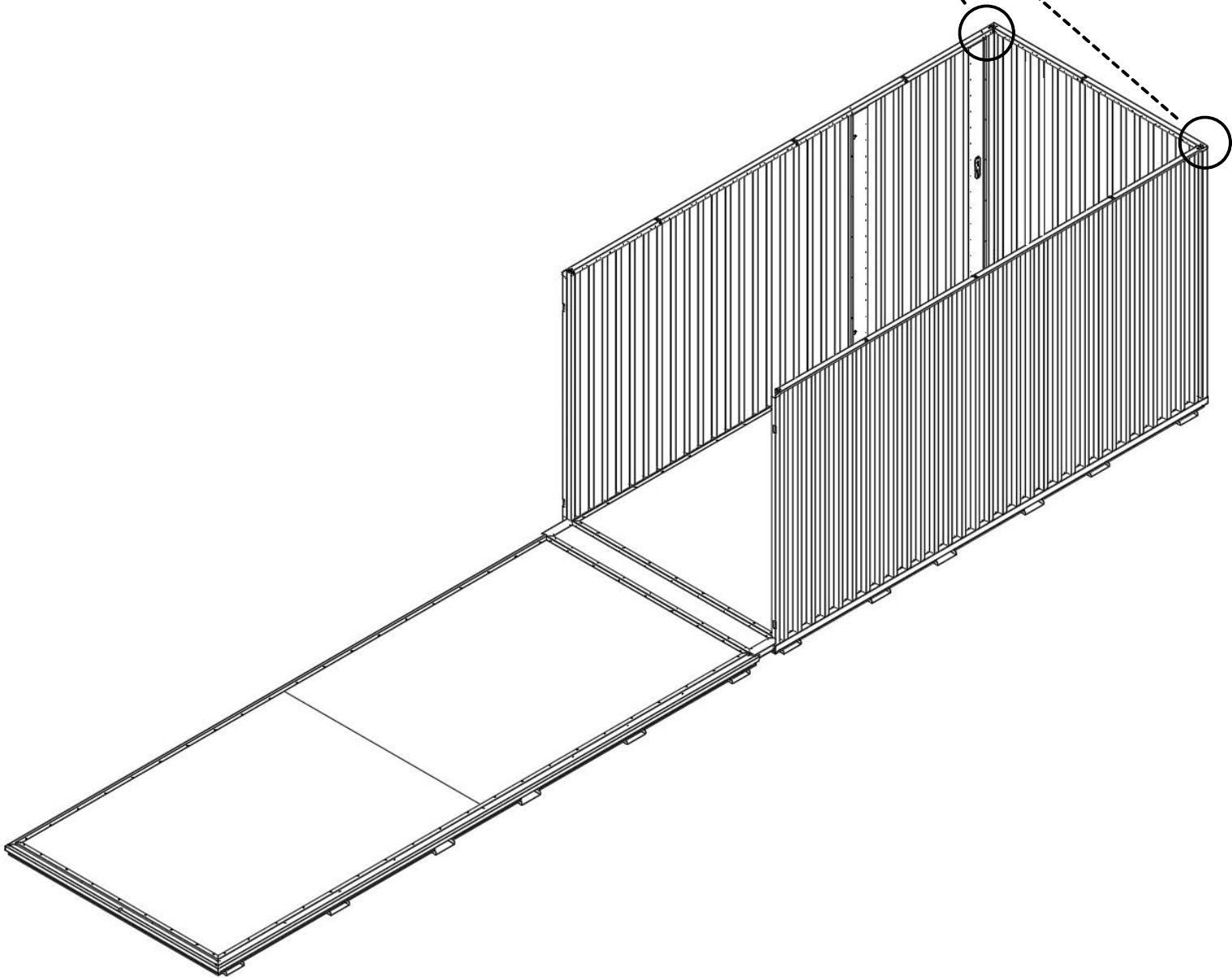
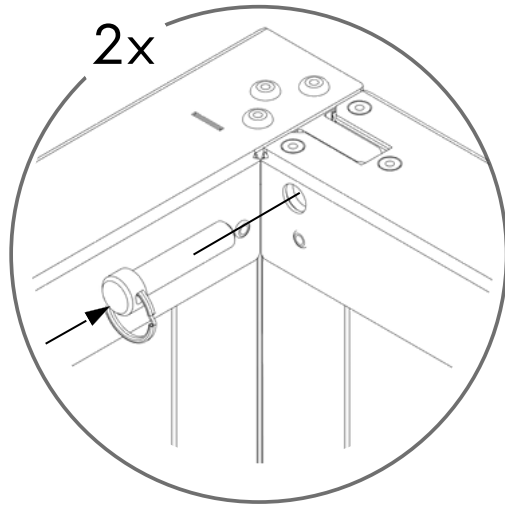
**3**



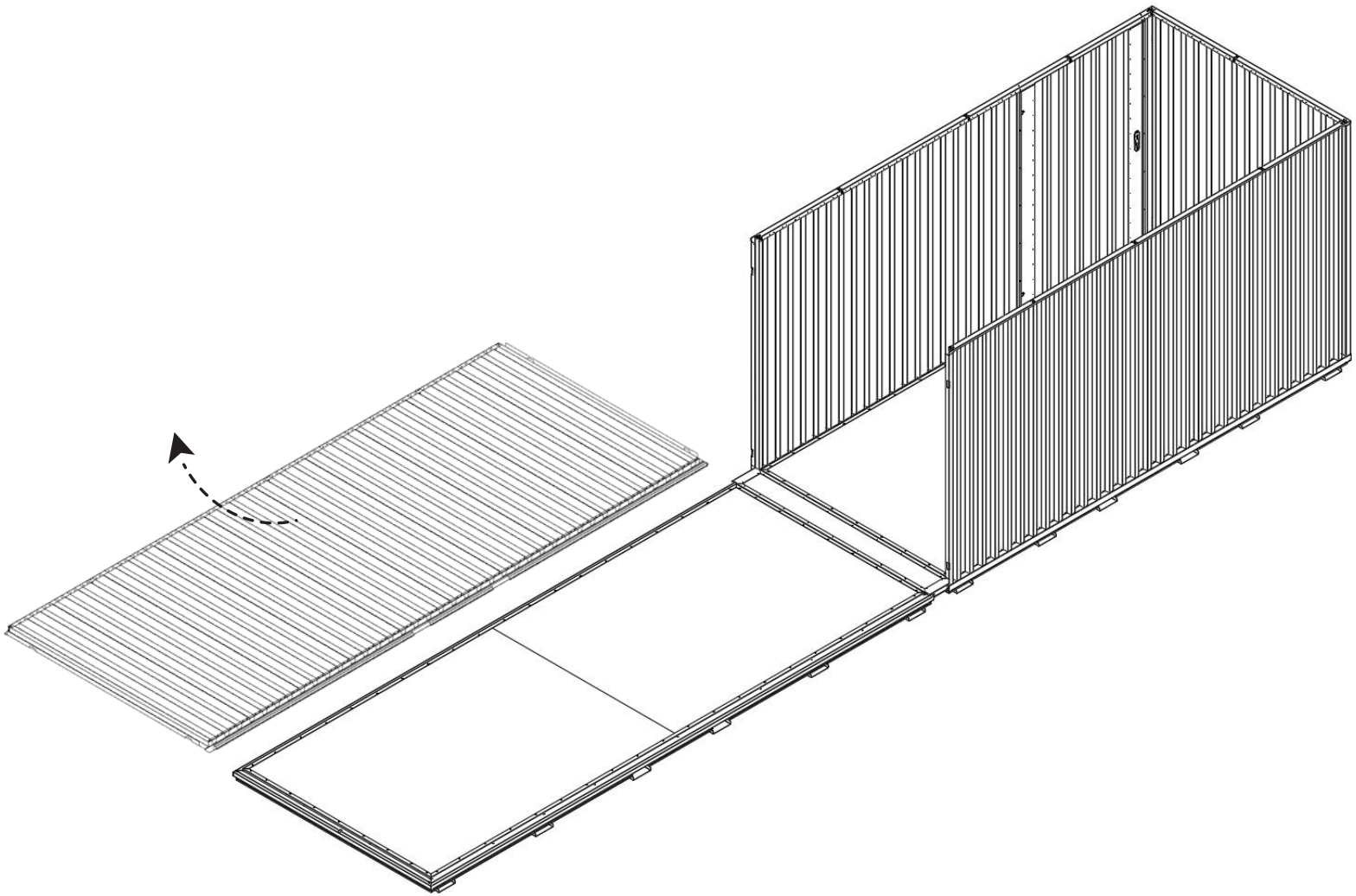
4



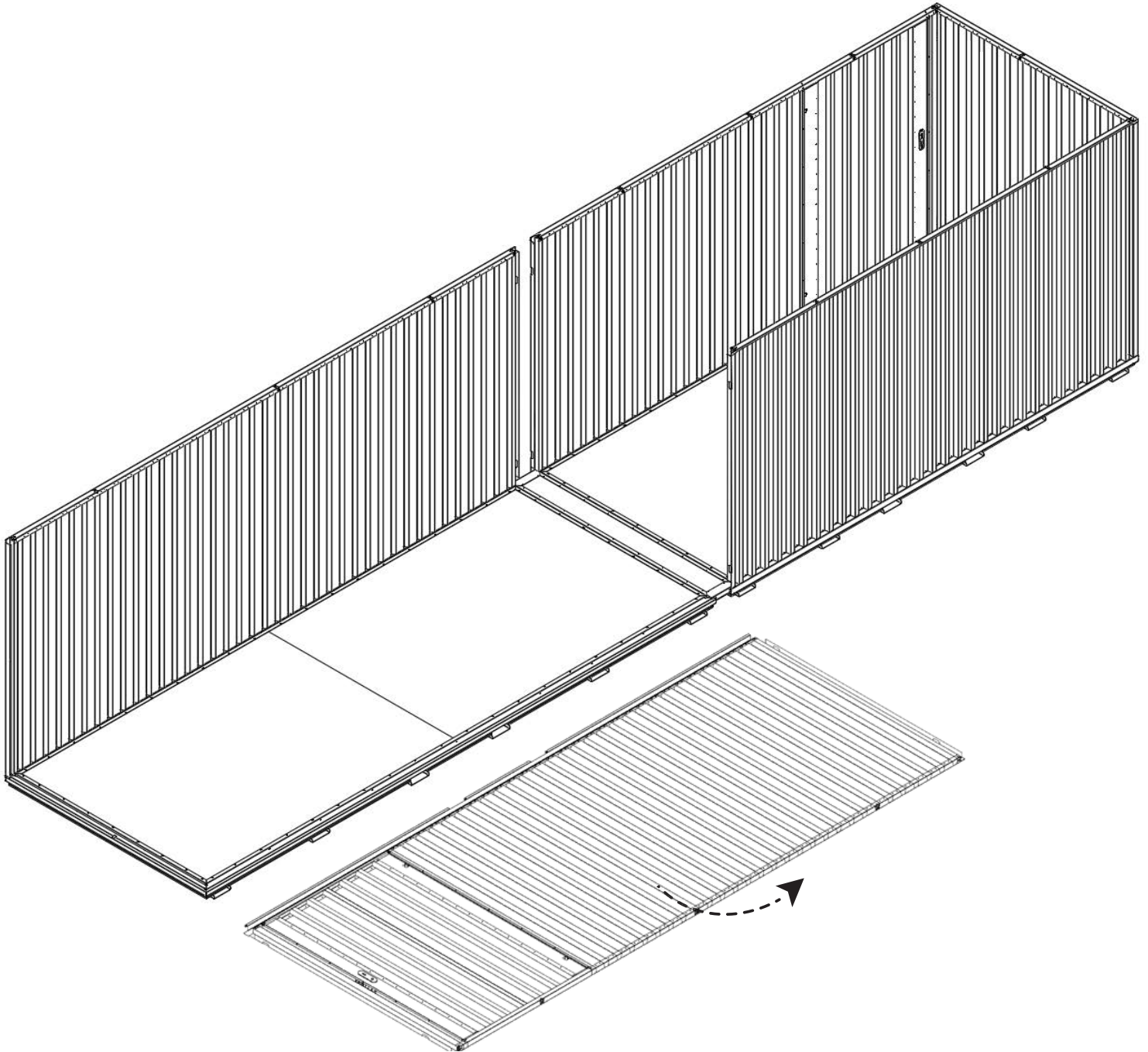
# 4.1



5

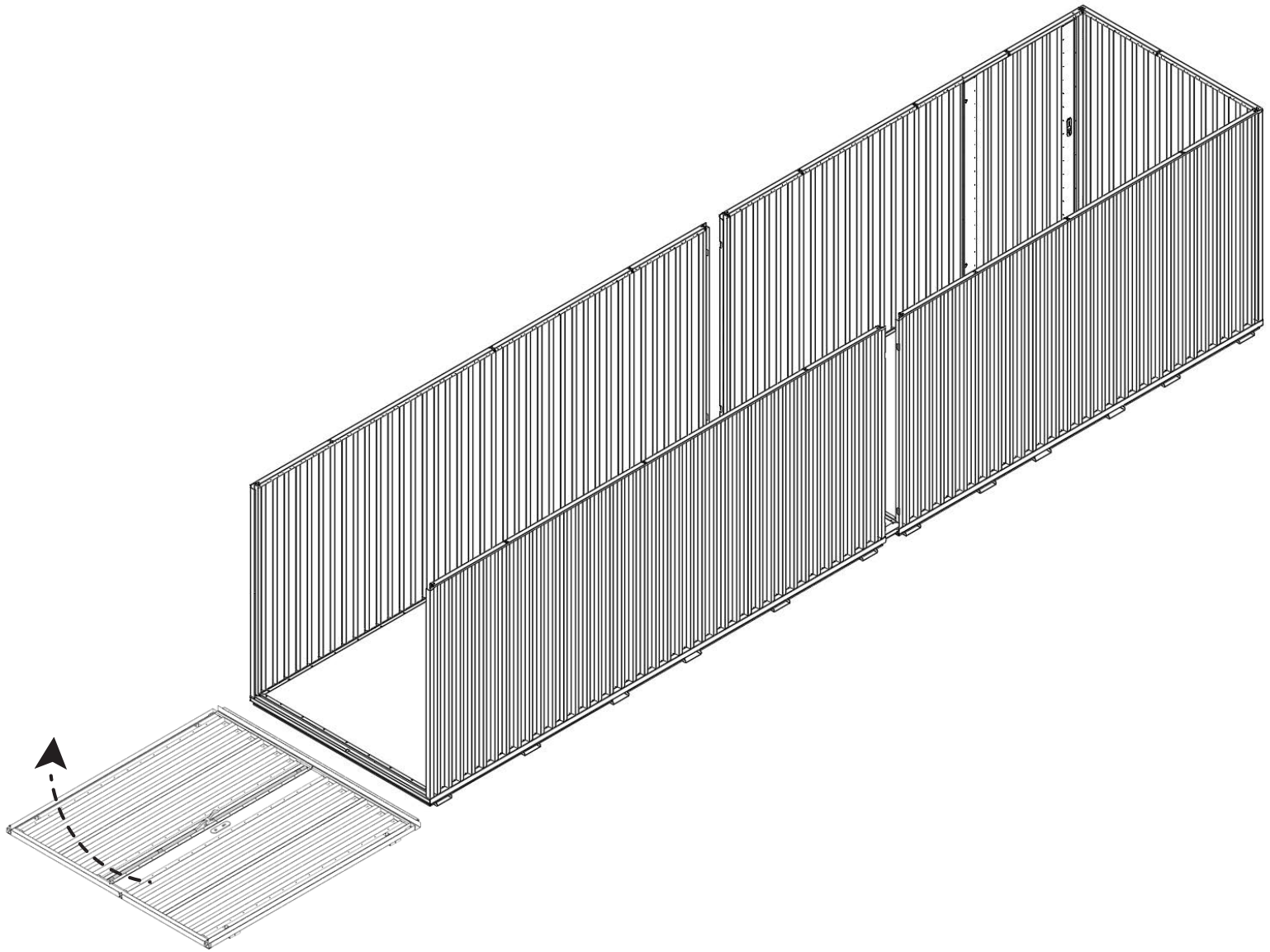


6

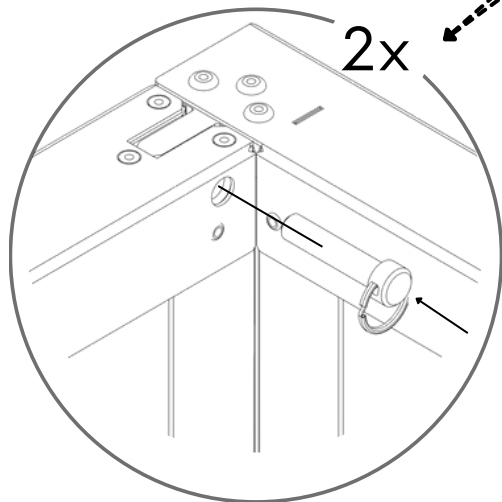
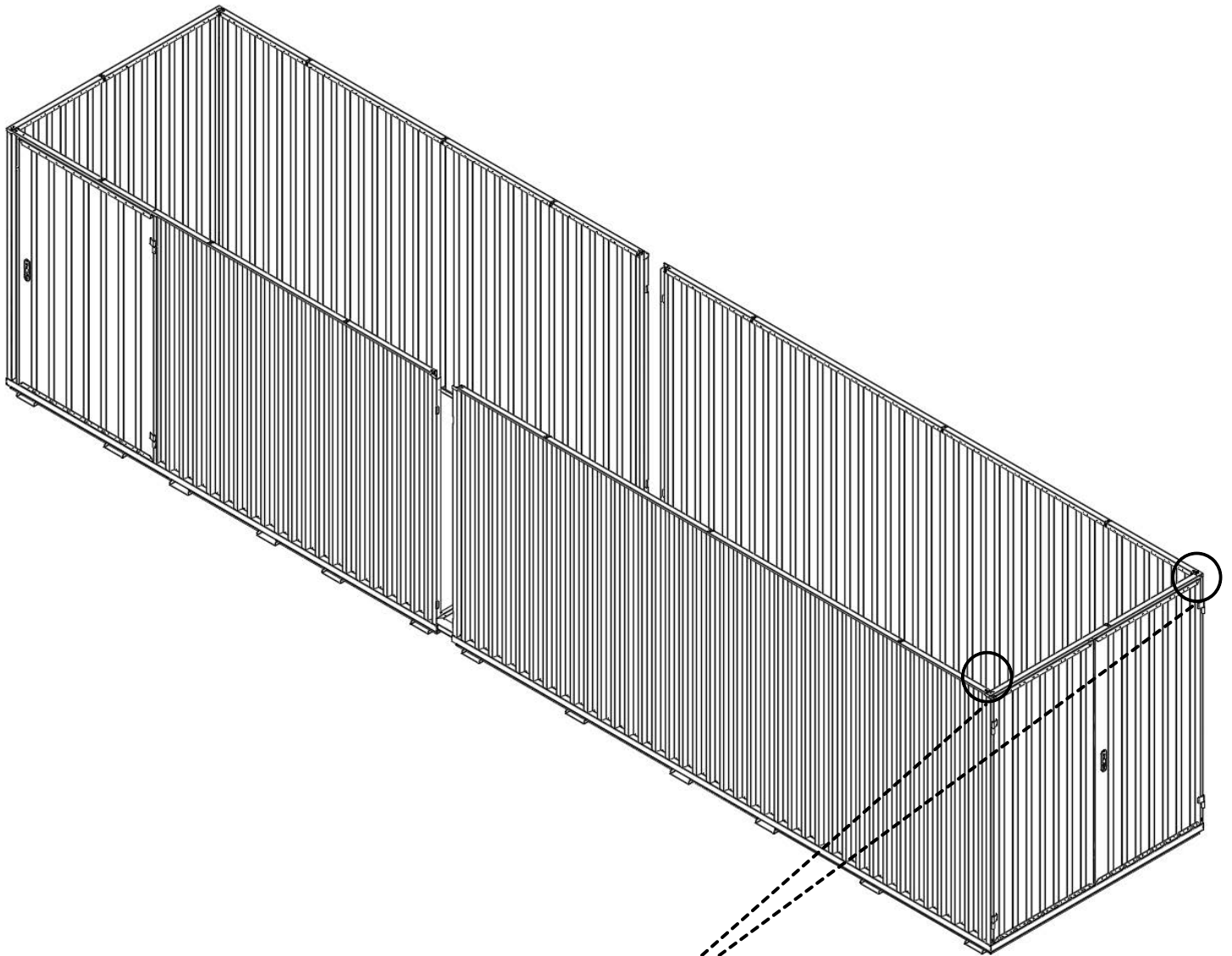




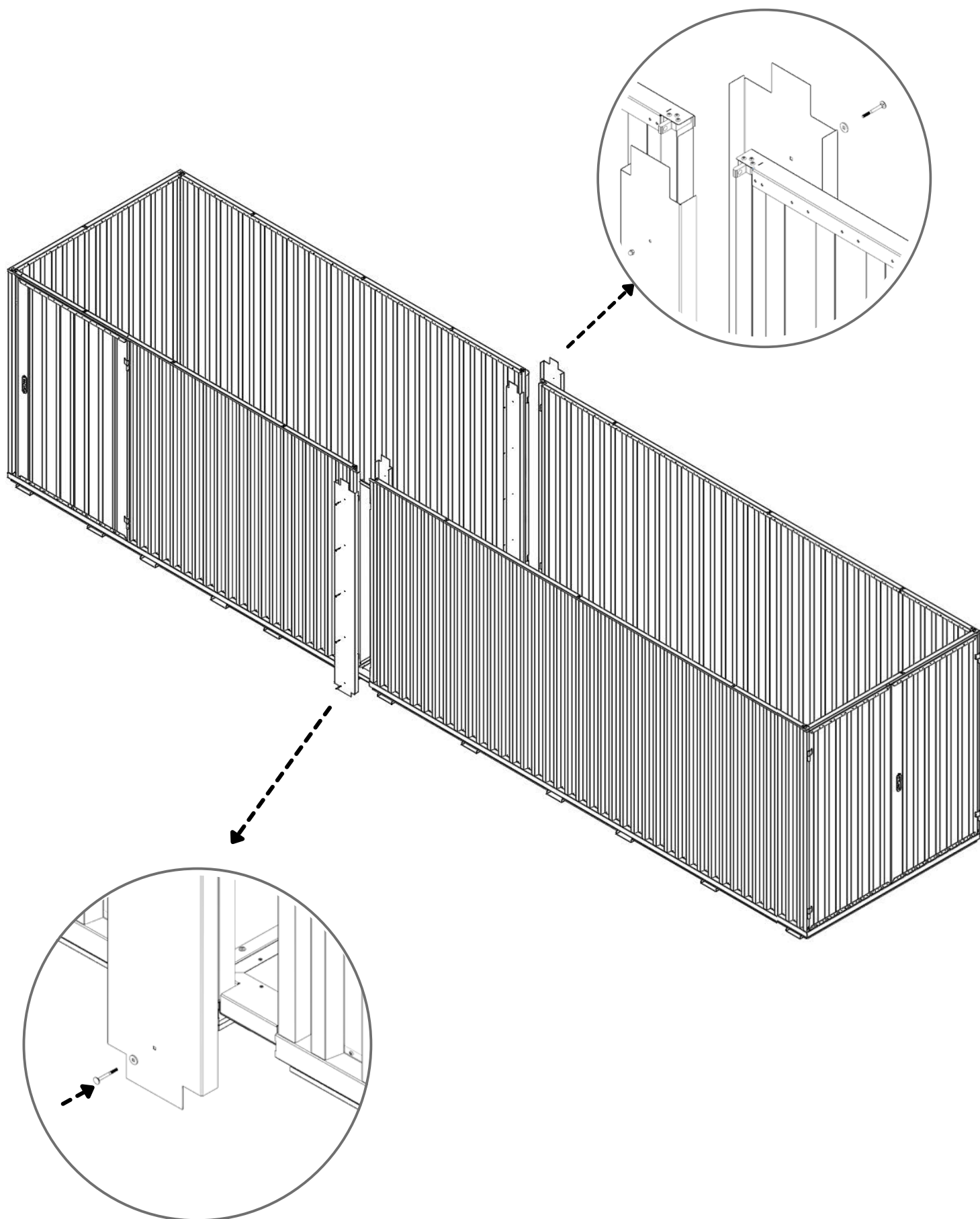
7



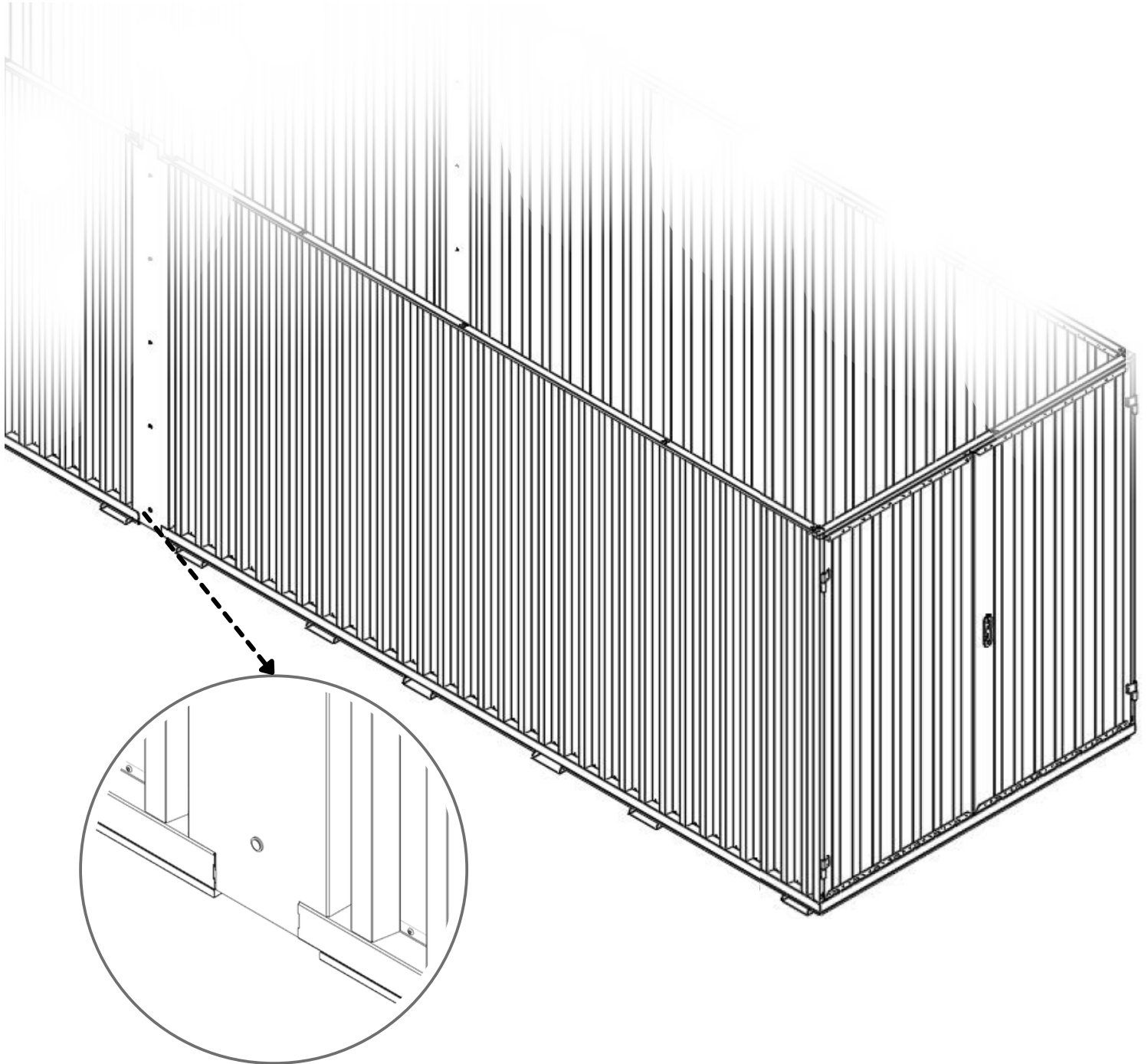
# 7.1



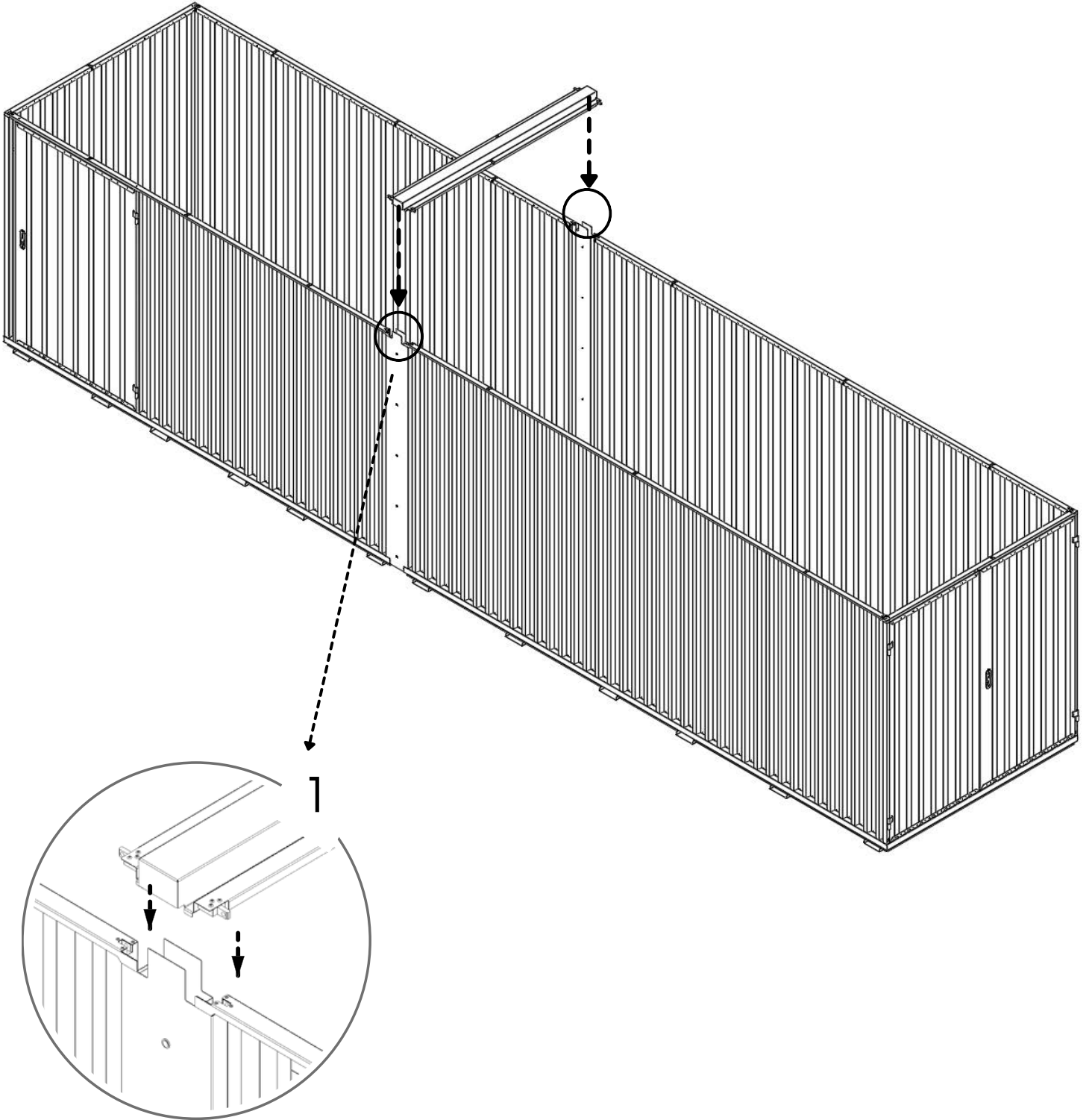
8



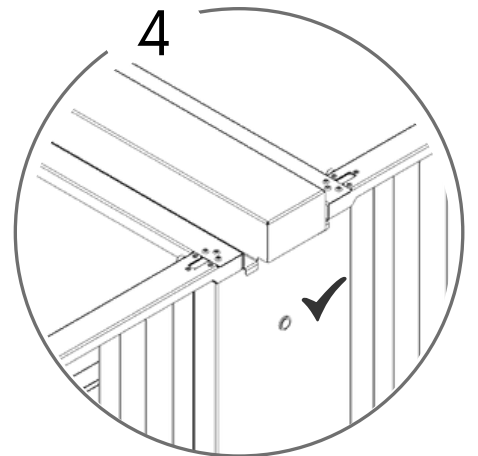
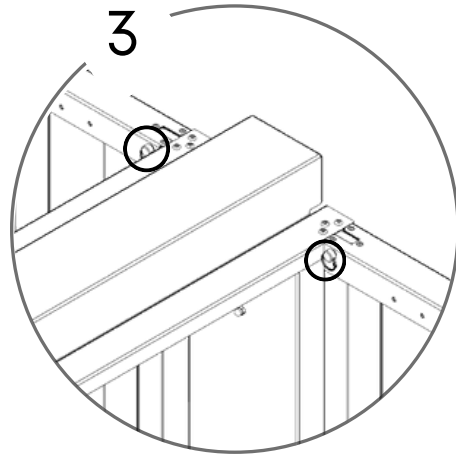
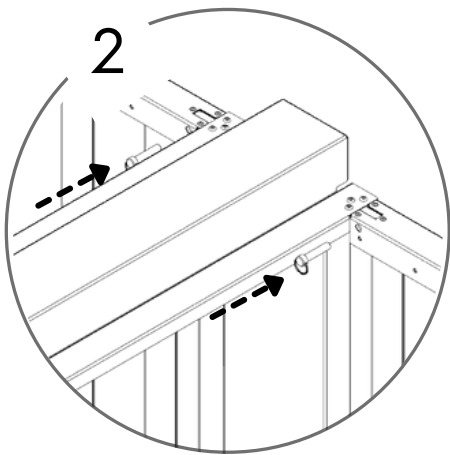
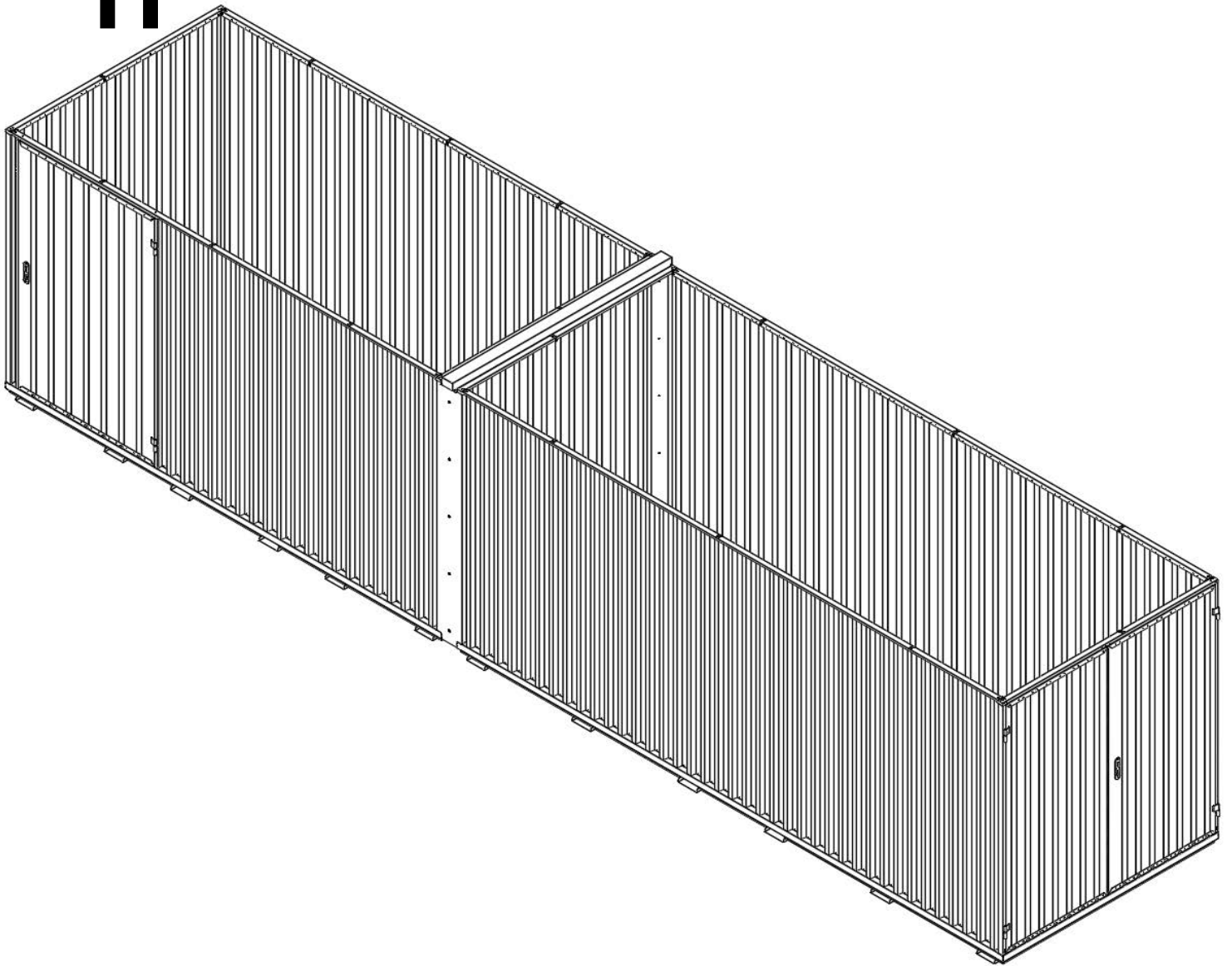
9











# 10

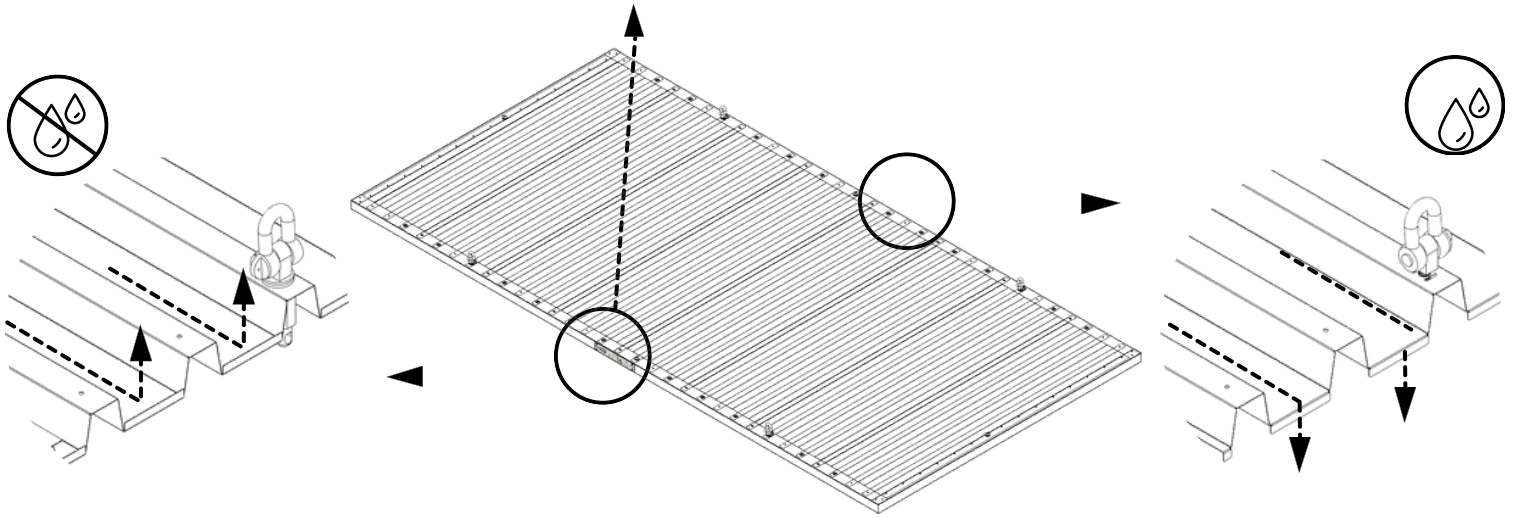


# 11

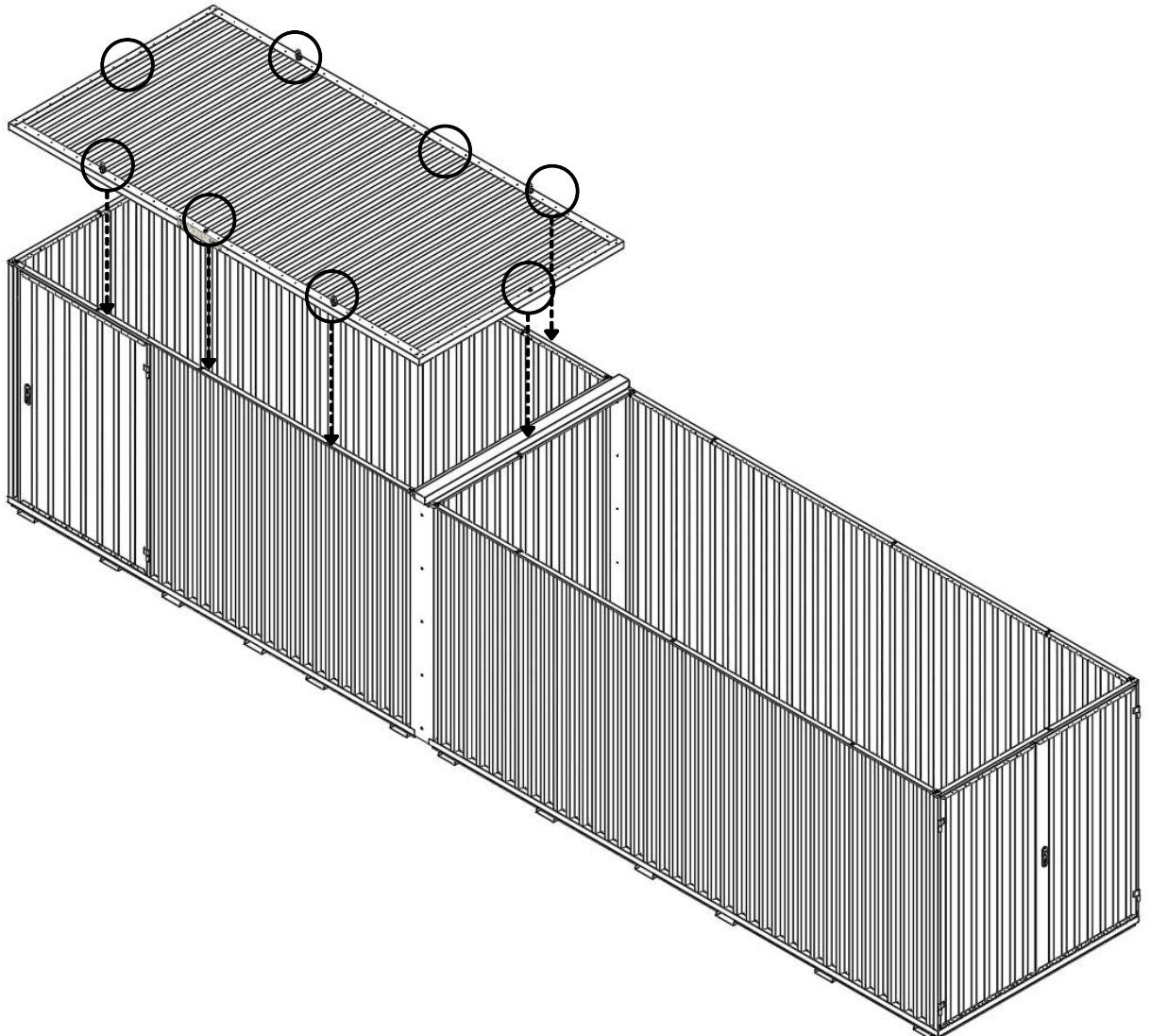




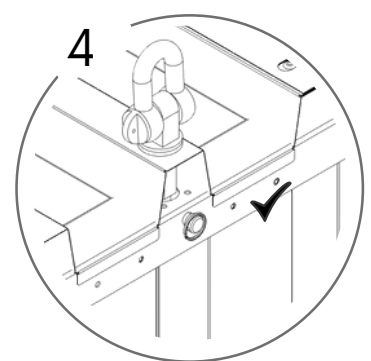
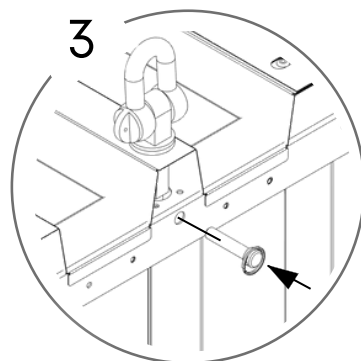
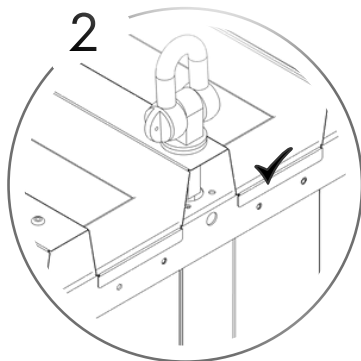
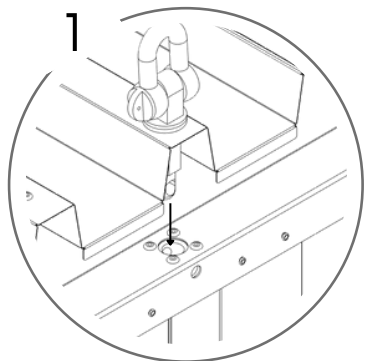
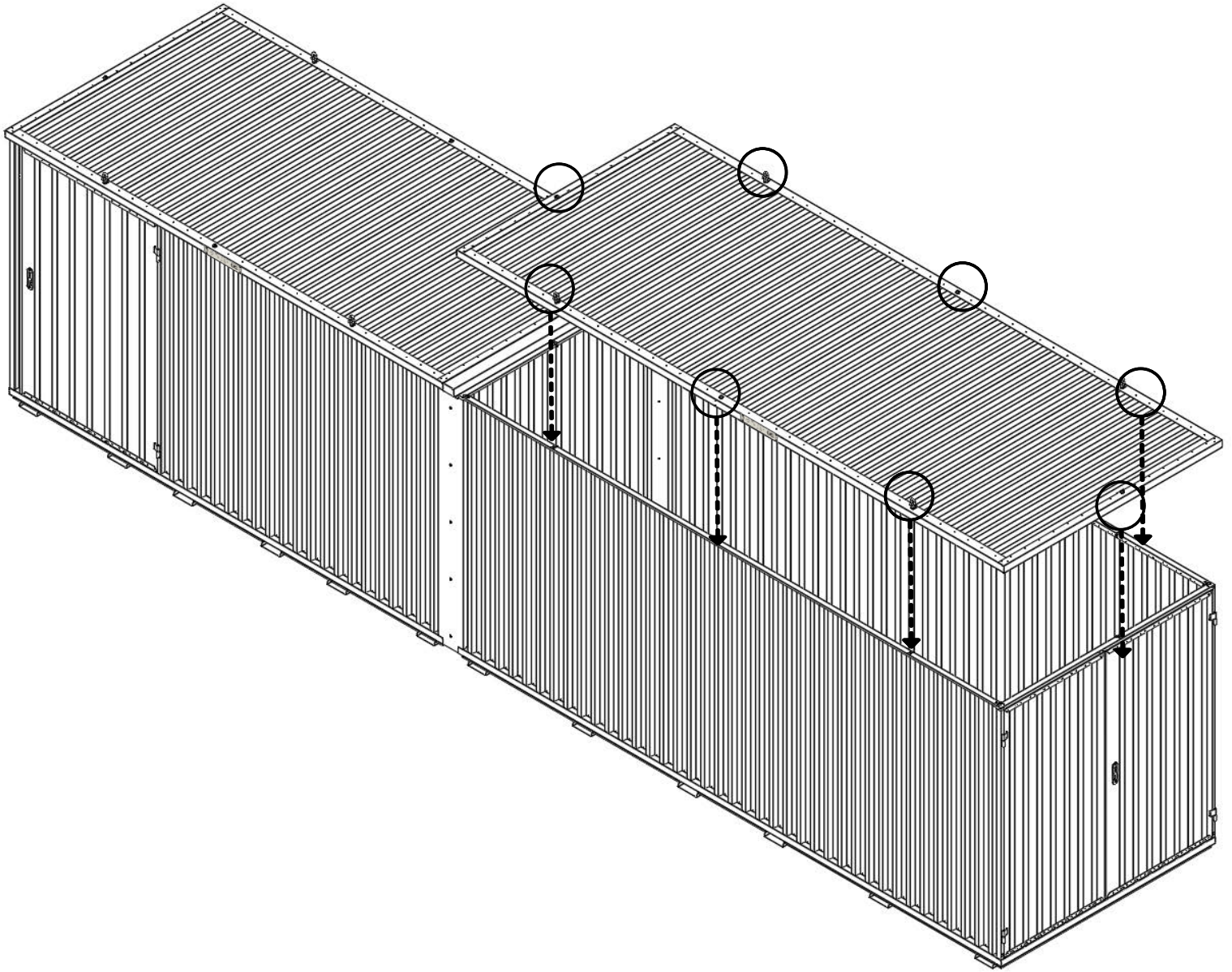
 892 KG	 1640 MM	Model Code: 5040.110.450.330 Production Tracking Code: ...../X09.1.5040.450.330	 9001	 14001	 50001			
---	--	---	---	--	--	---	---	---



12

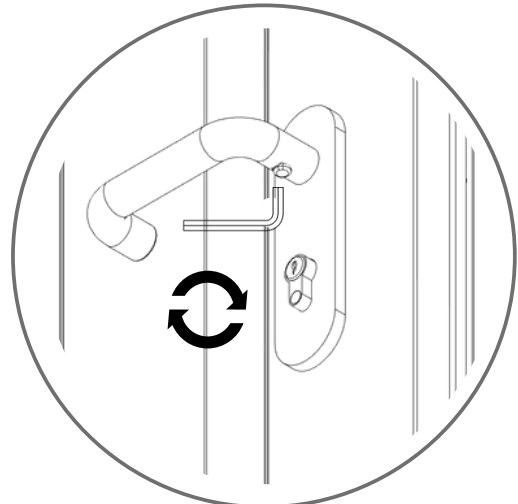
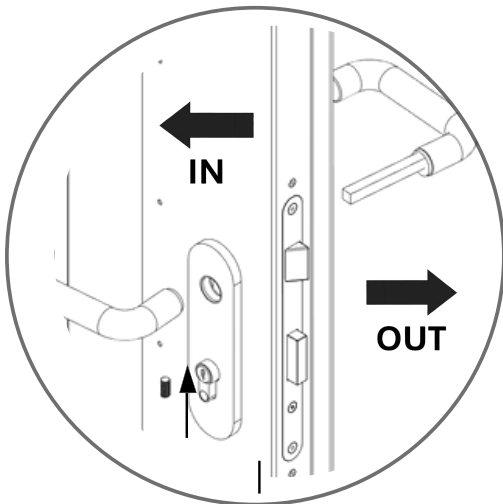
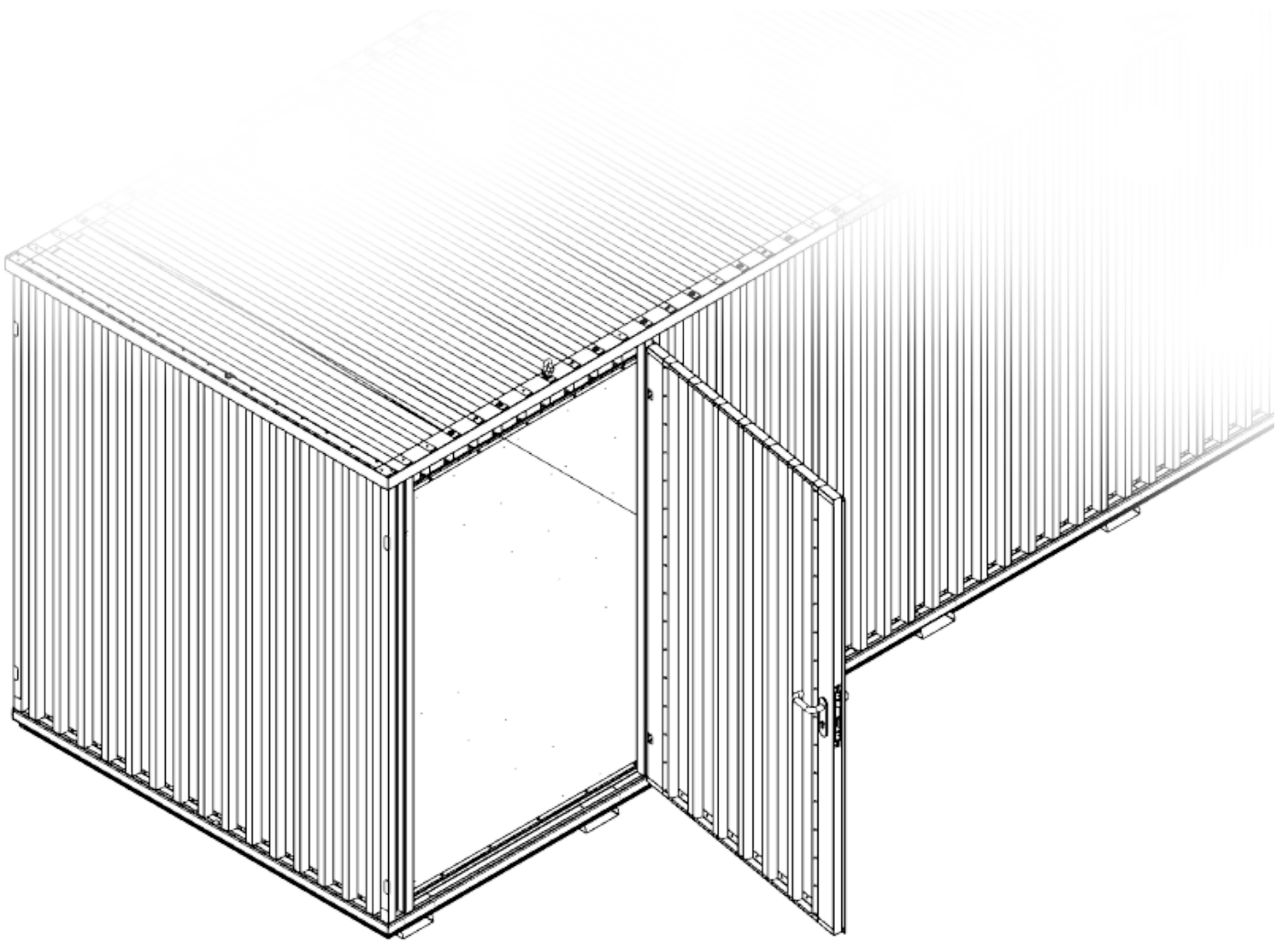


# 13





# 14



15

