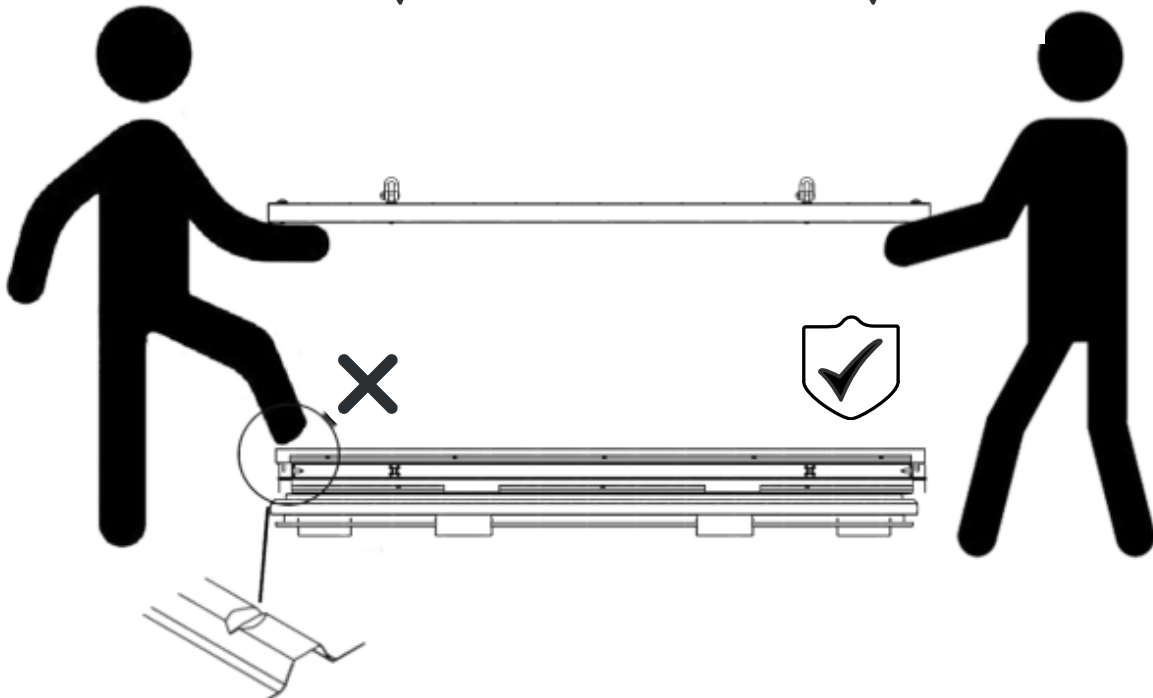


PRODUCT CODE:4044.110.420

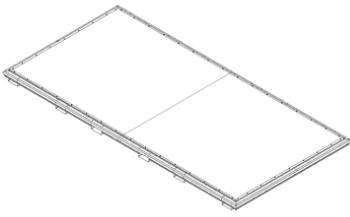
prefabase
Quick Build Solutions

Instructions and User Guide



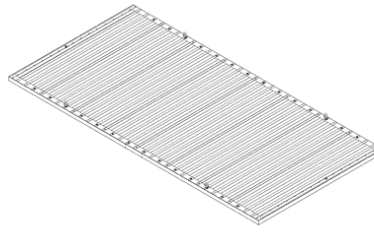
40.0110

3x



40.0510

3x



404.0110

2x



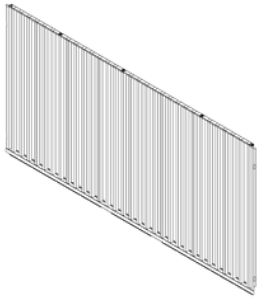
404.0510

2x



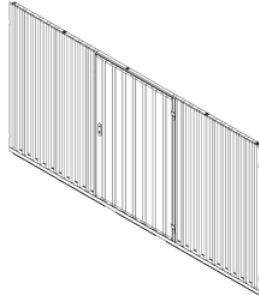
40.0410

1x



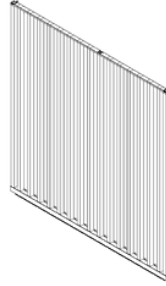
40.0420

1x



0310

6x



305.20.08

4x



305.20.09

4x

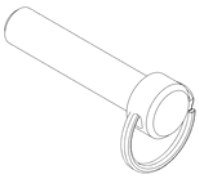


61.101

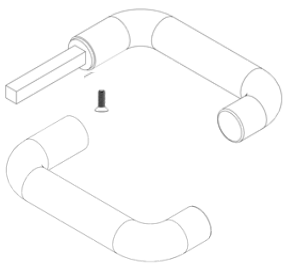
4x



36x



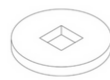
1x



20x



20x



20x



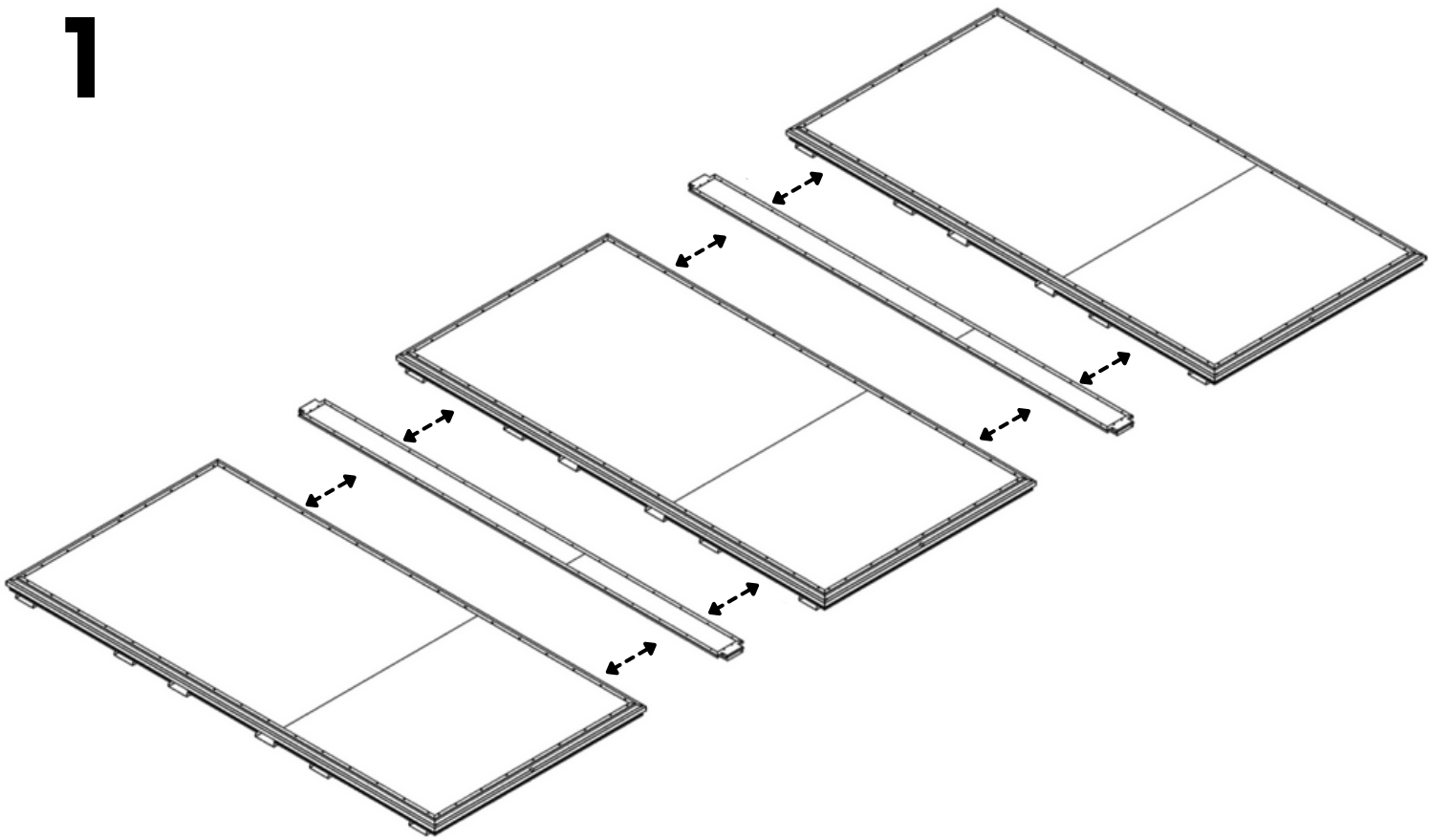
1x



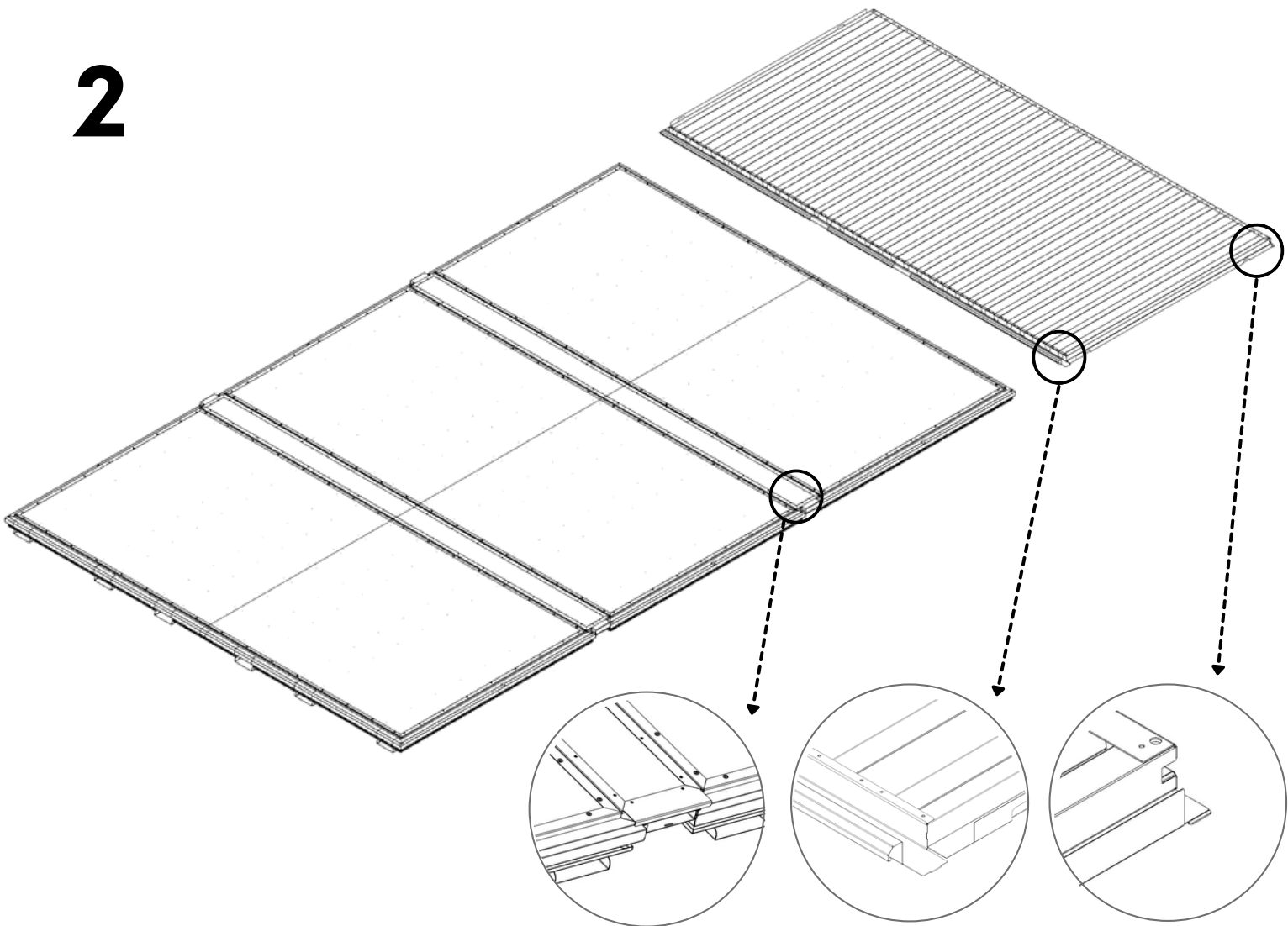
1x

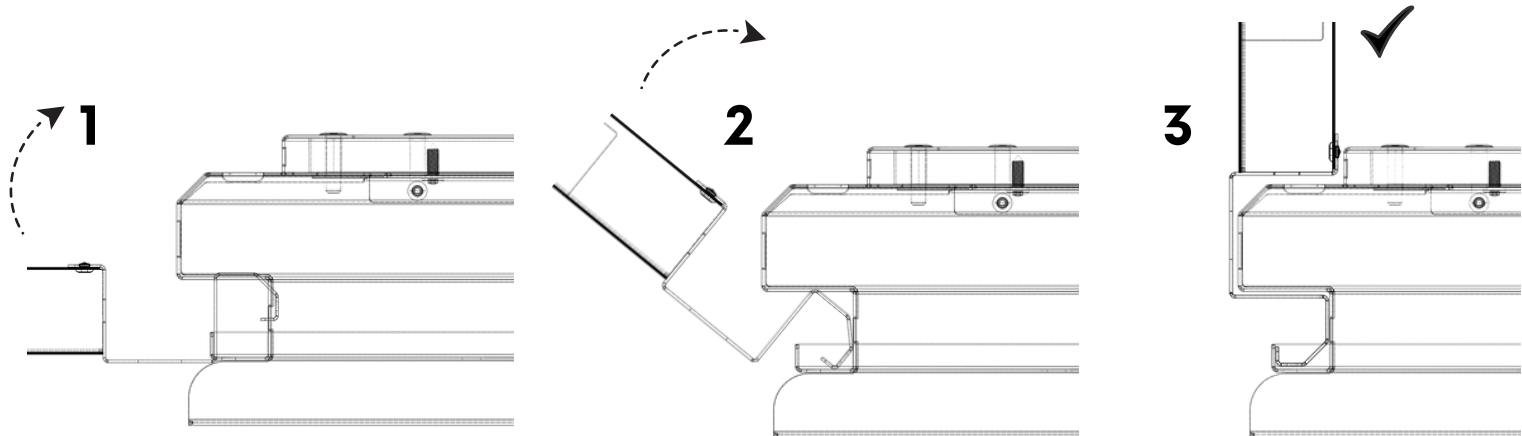


1

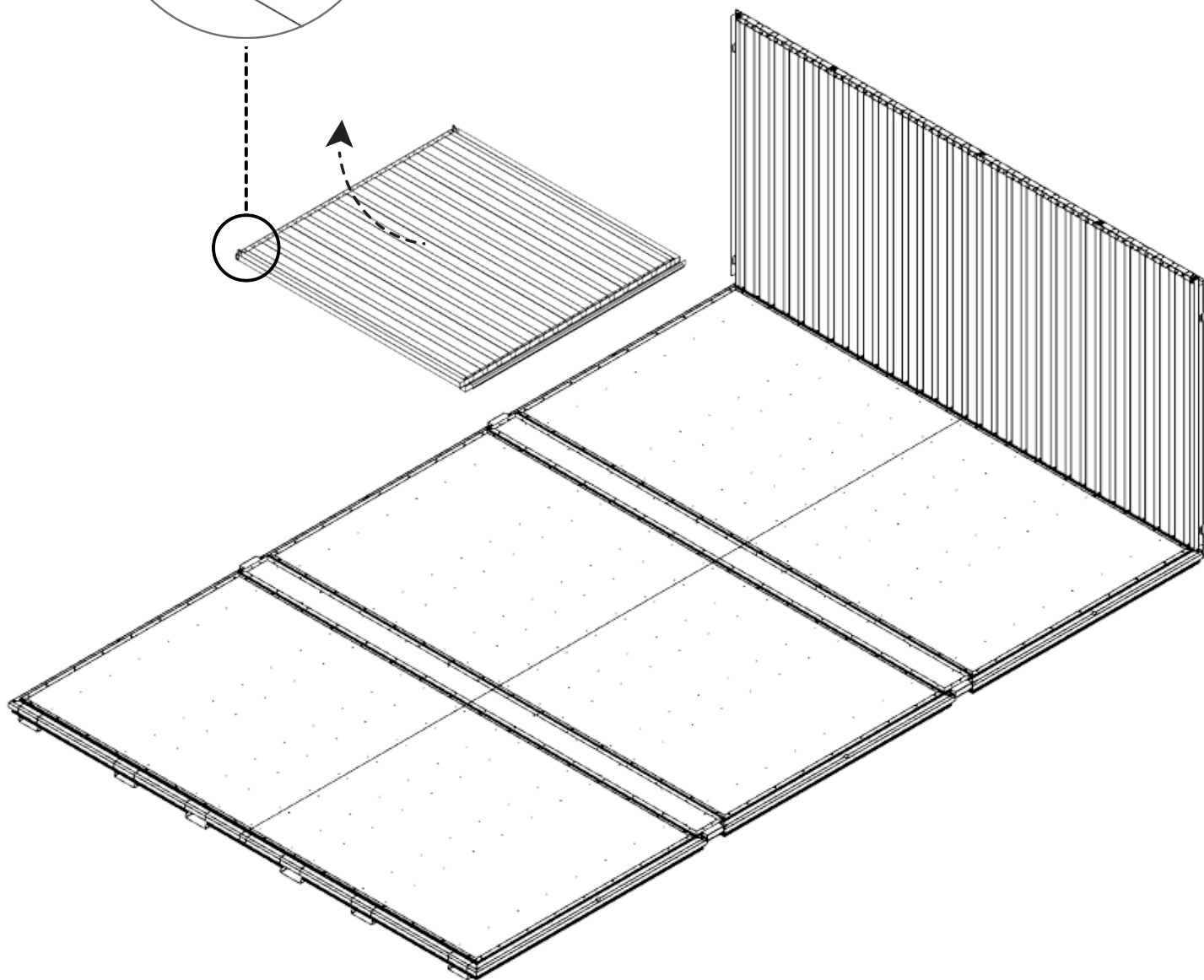
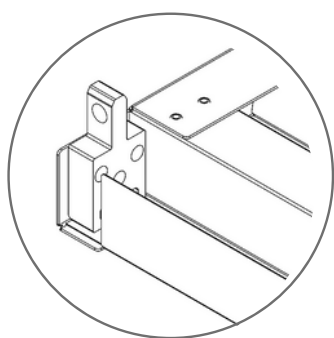


2

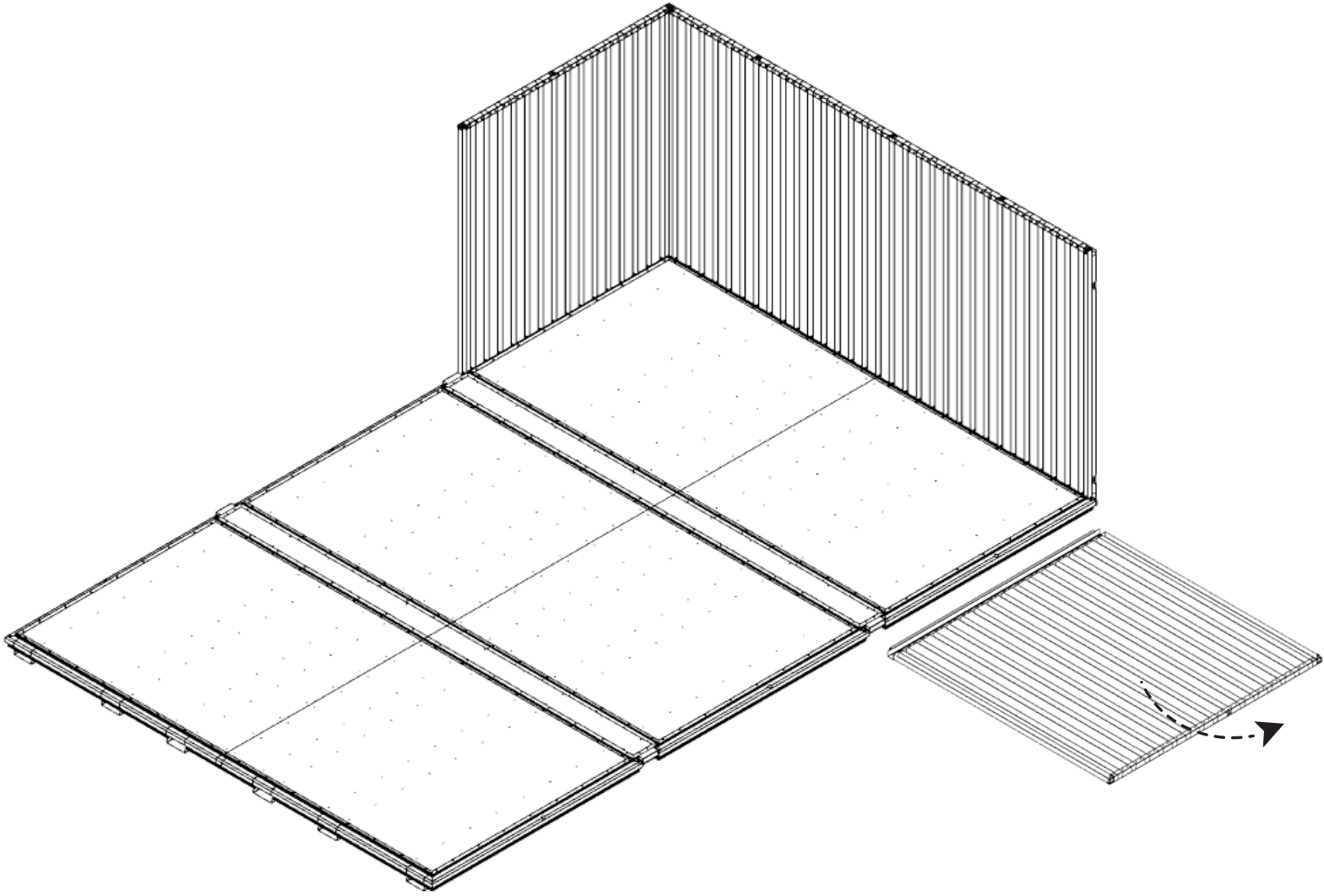




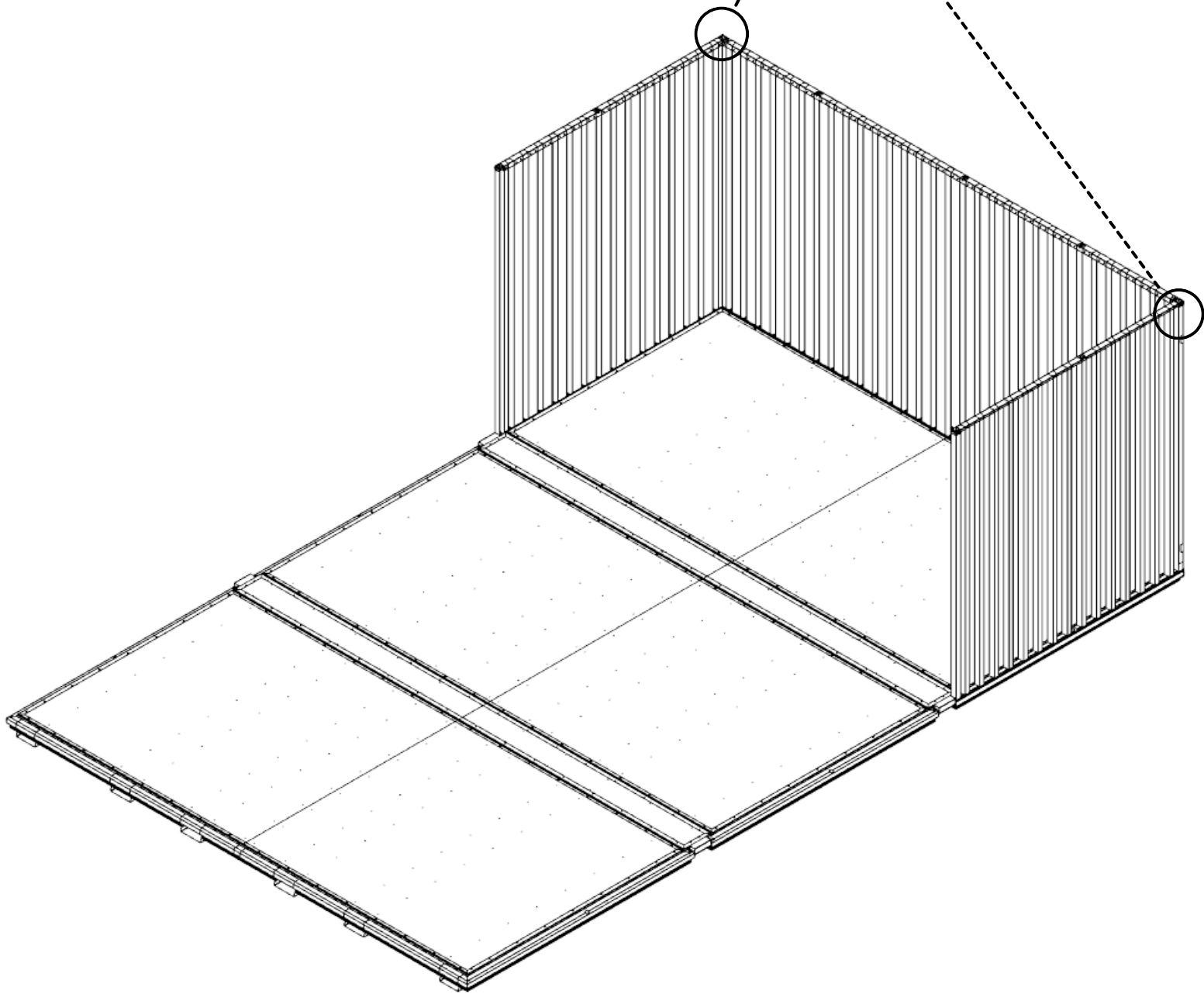
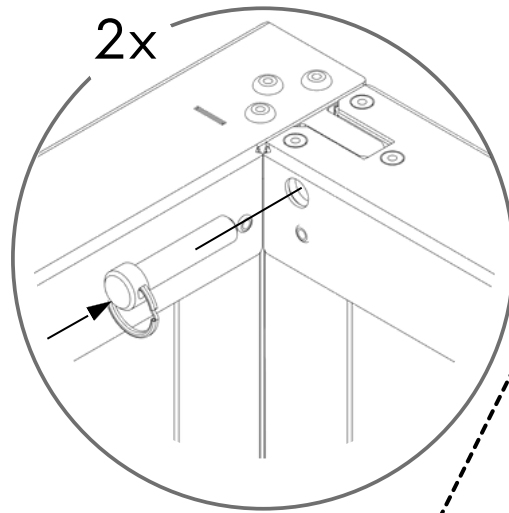
3



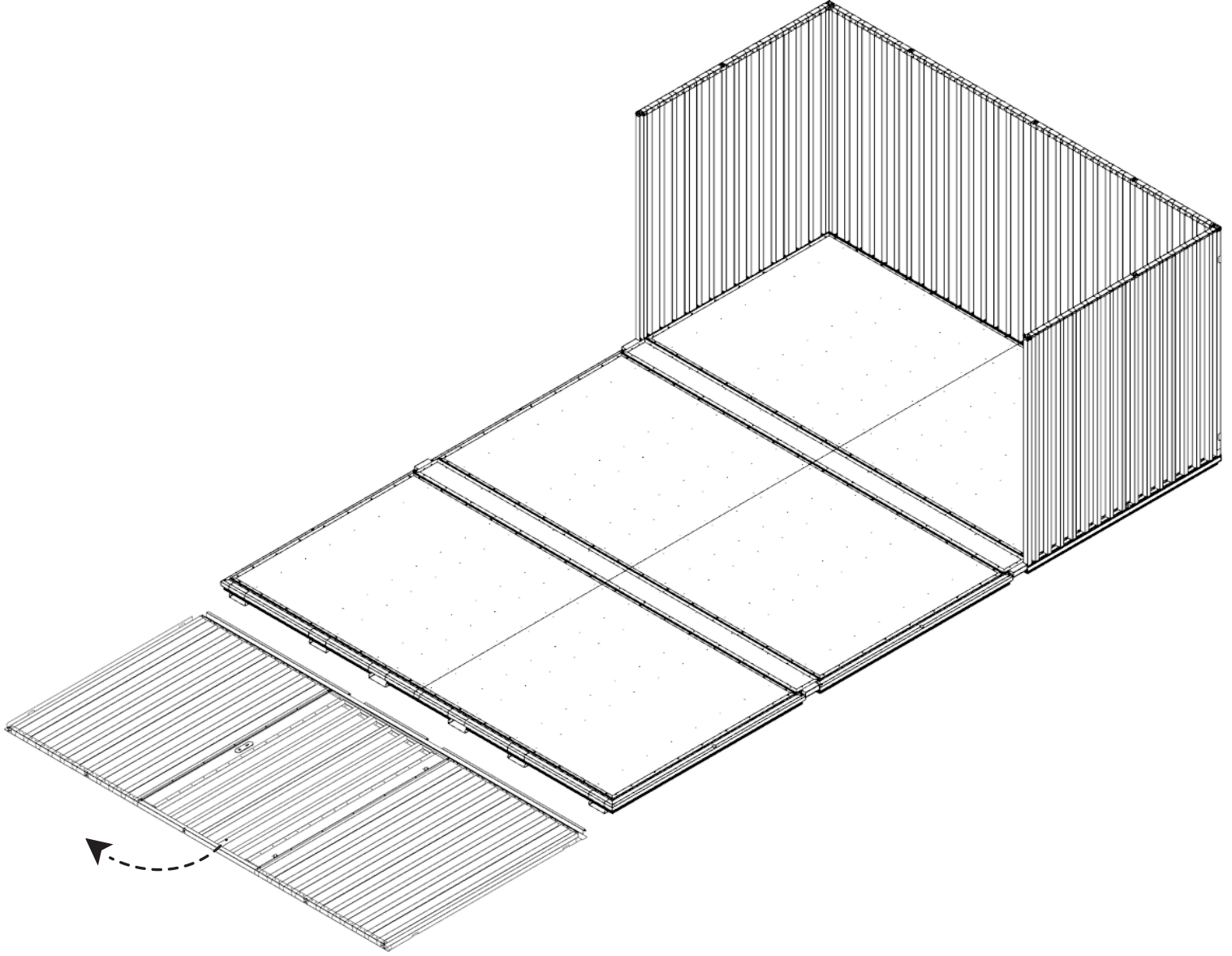
4



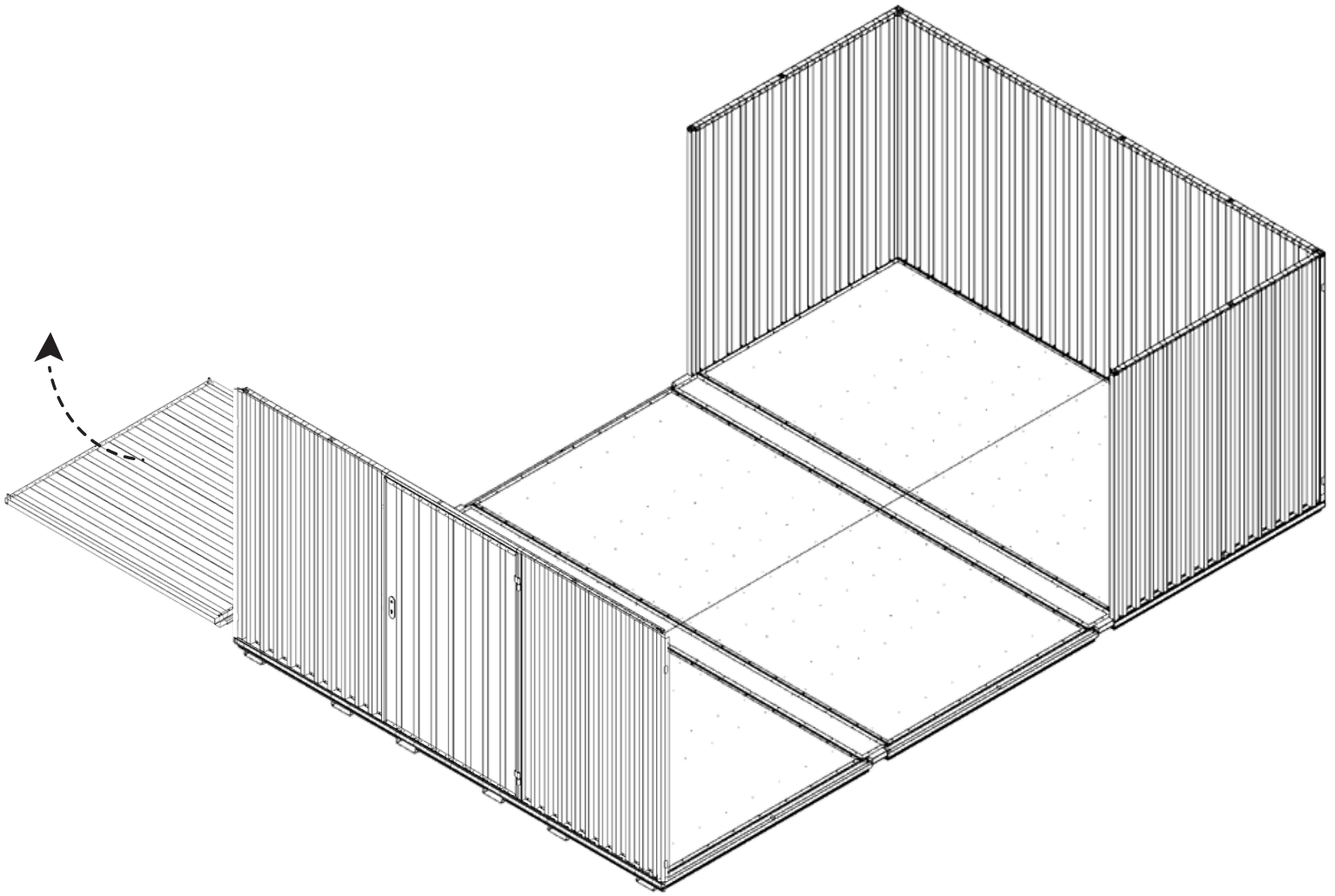
4.1



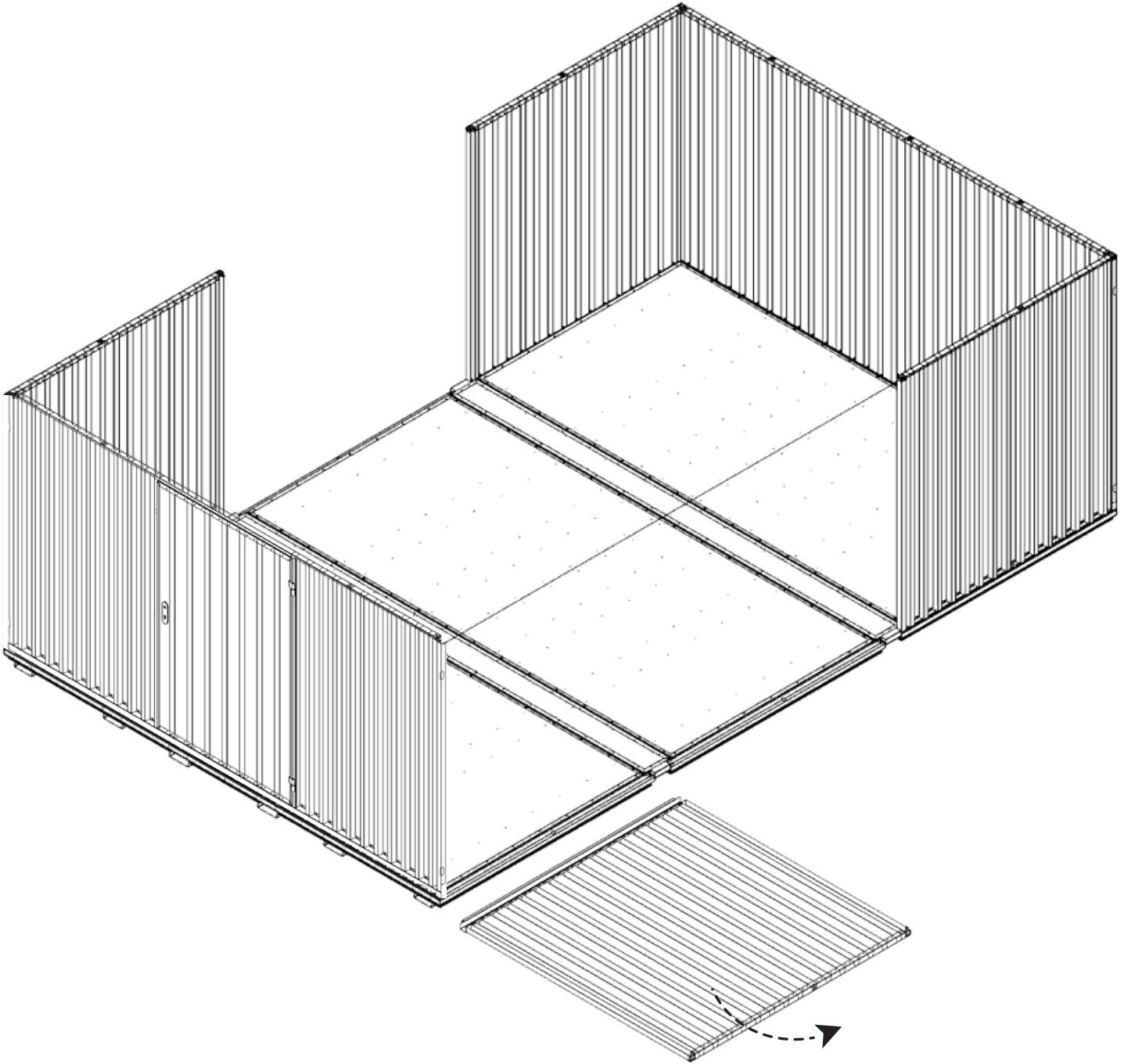
5



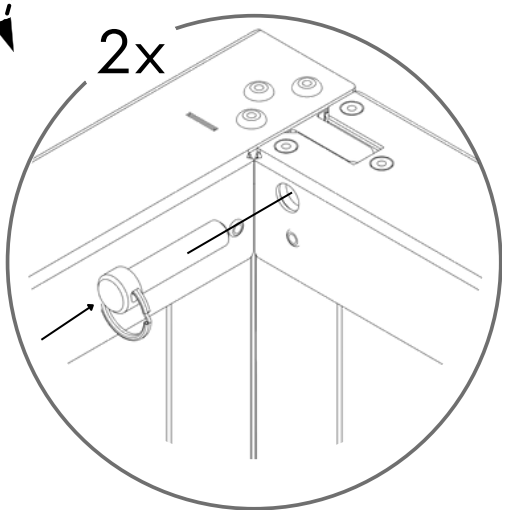
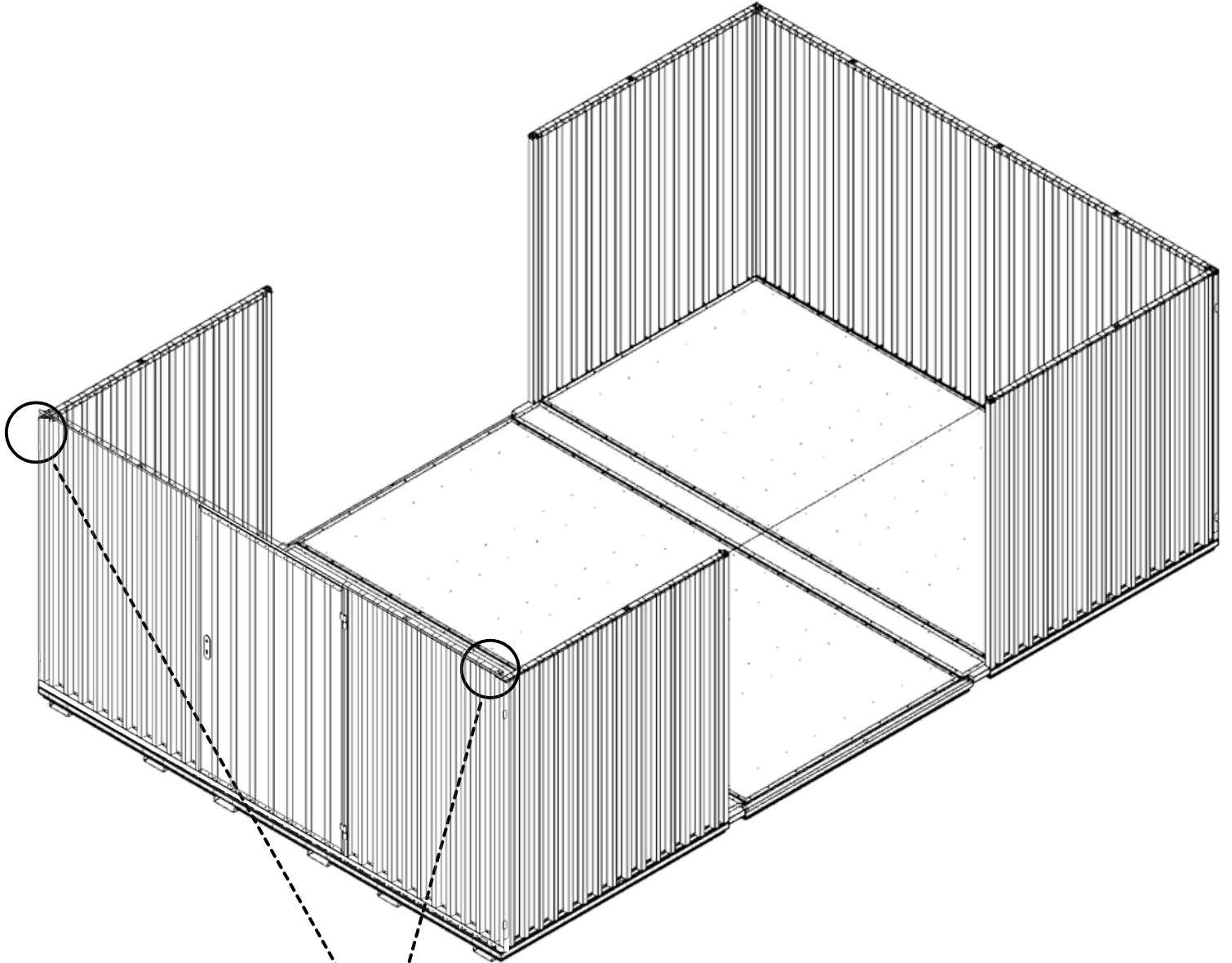
6



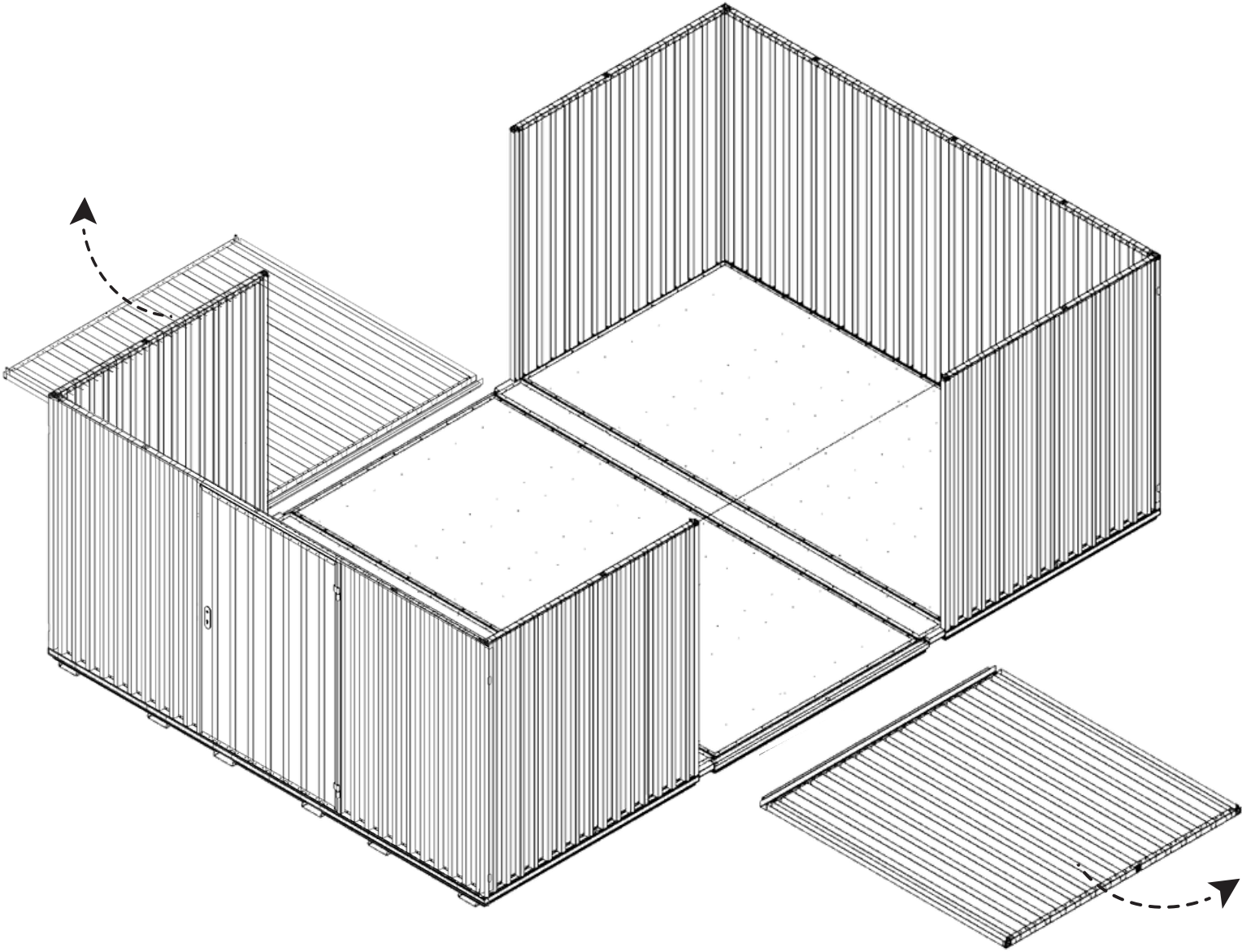
7



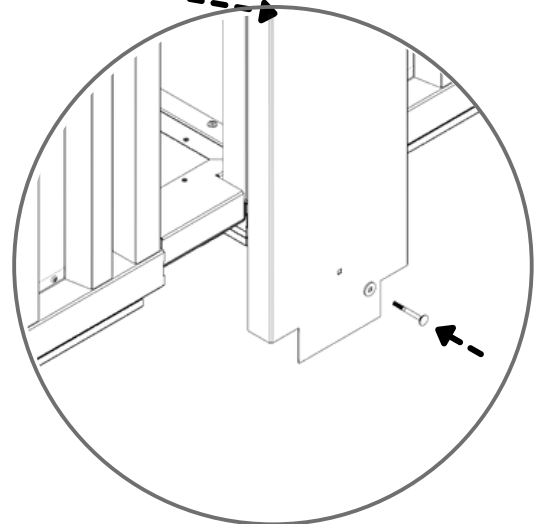
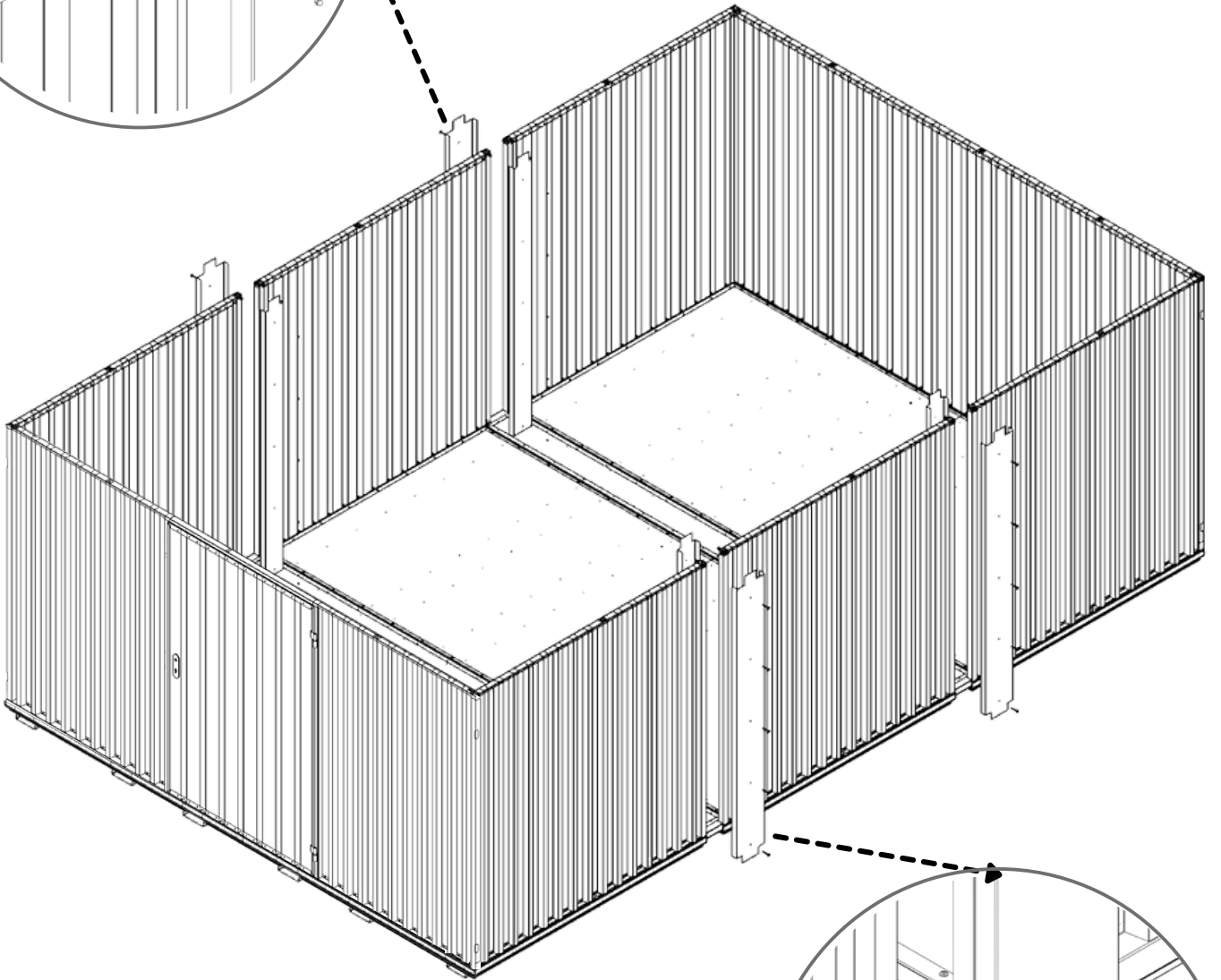
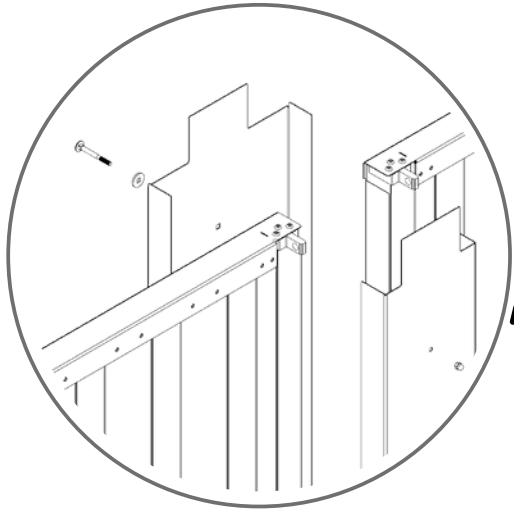
7.1



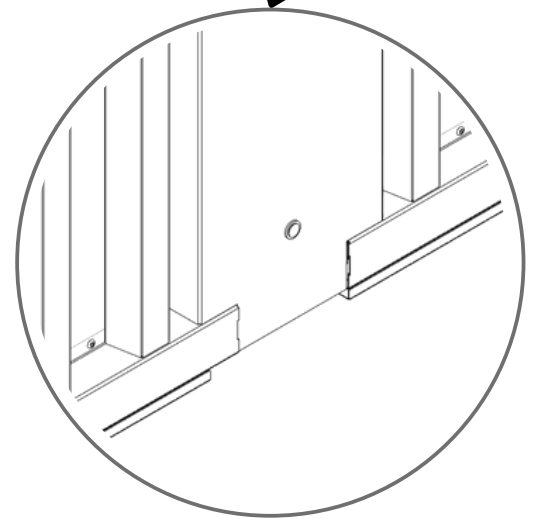
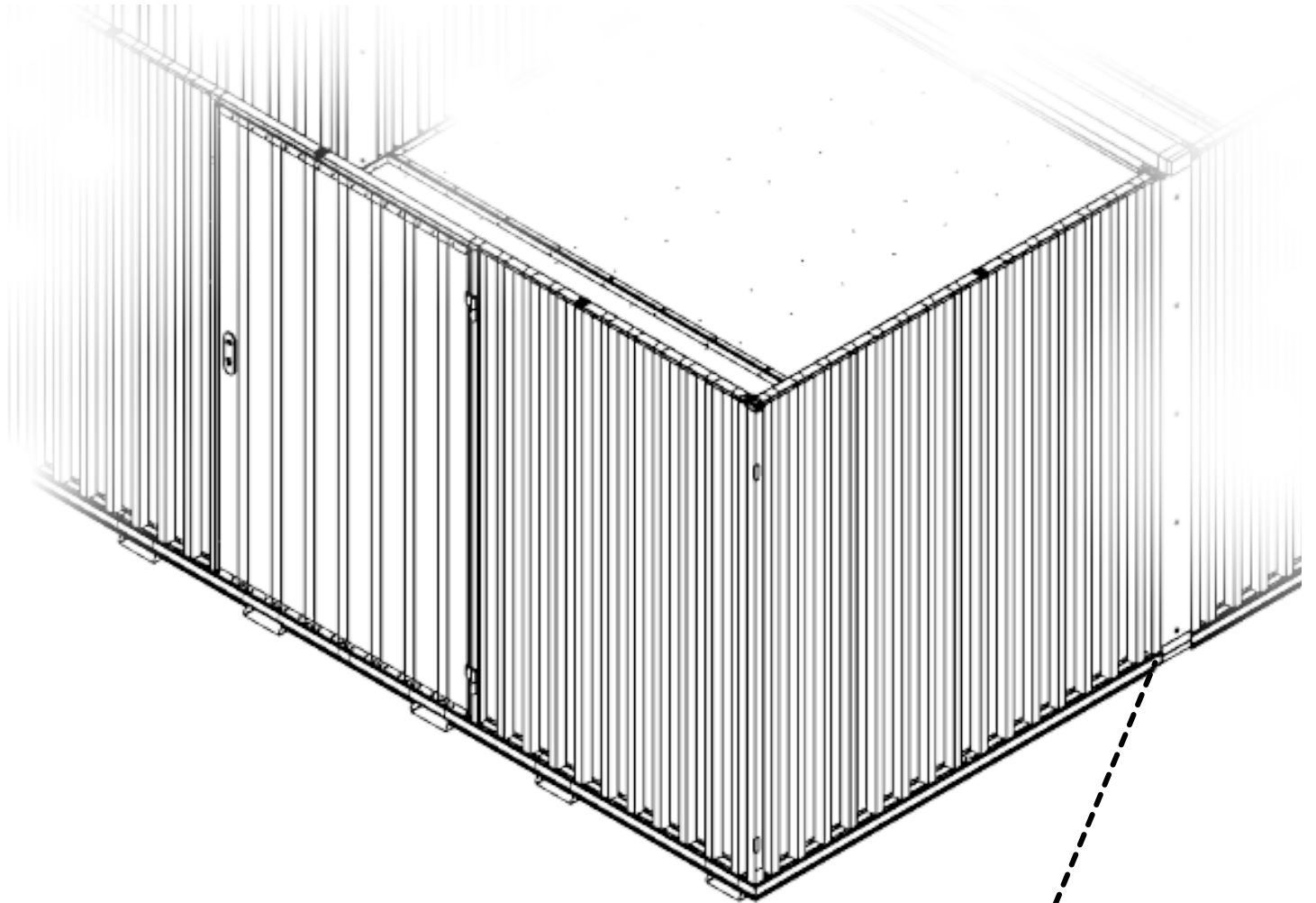
8



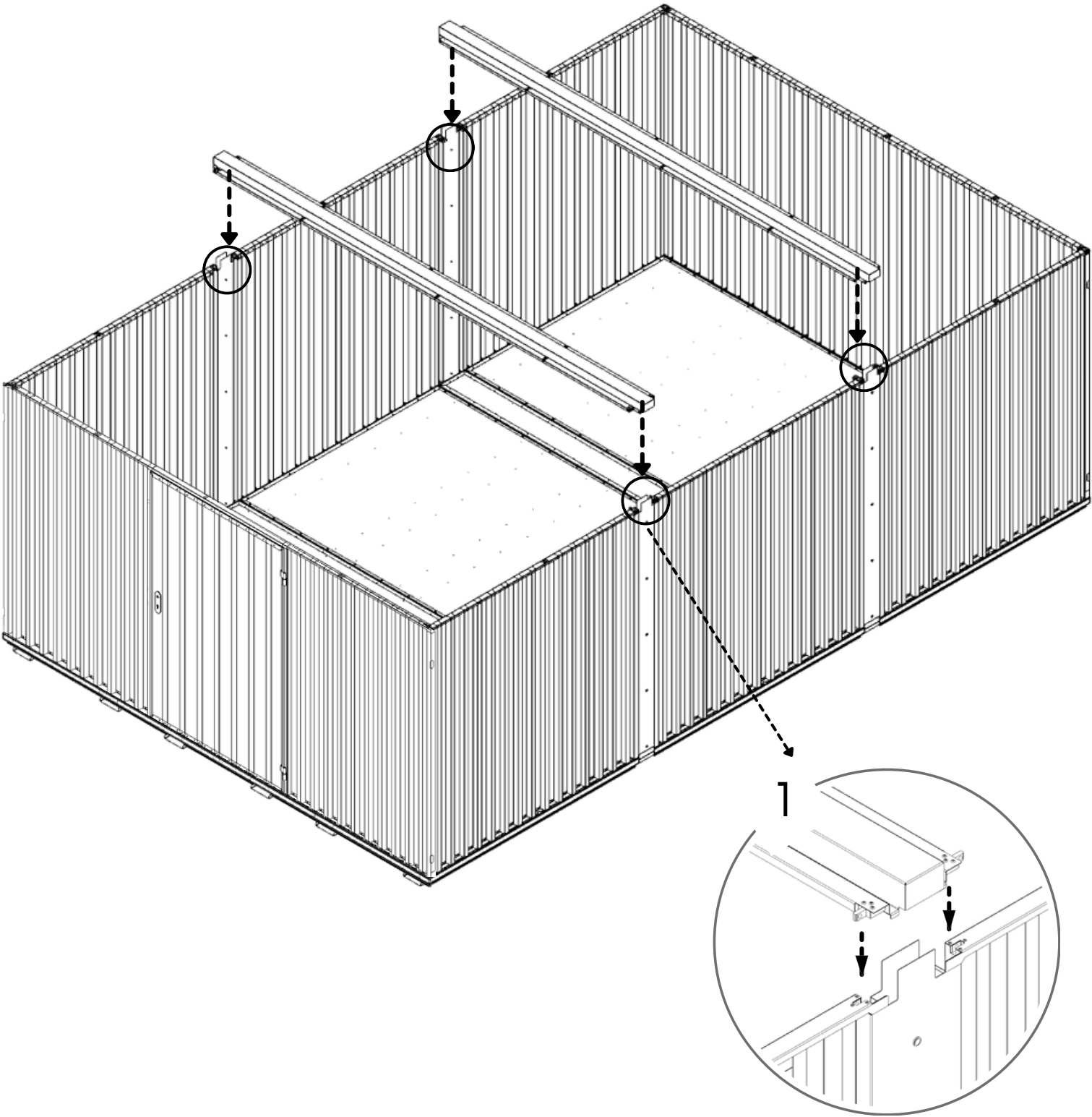
9



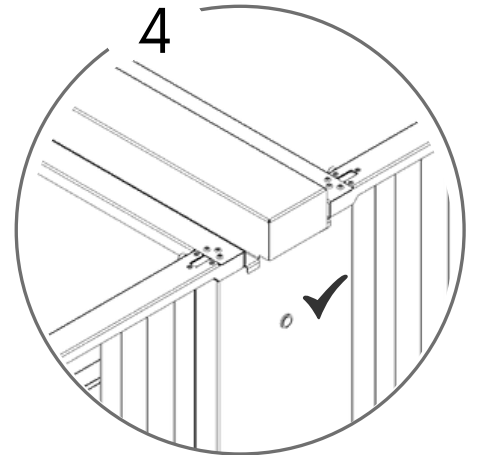
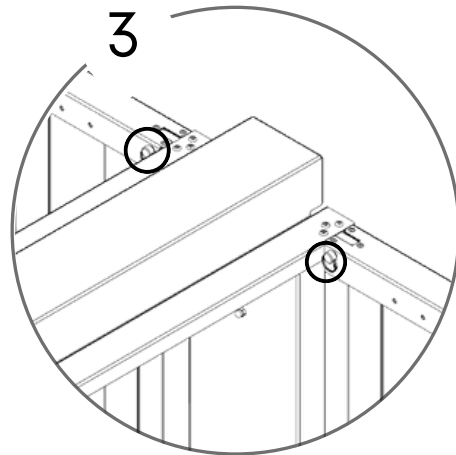
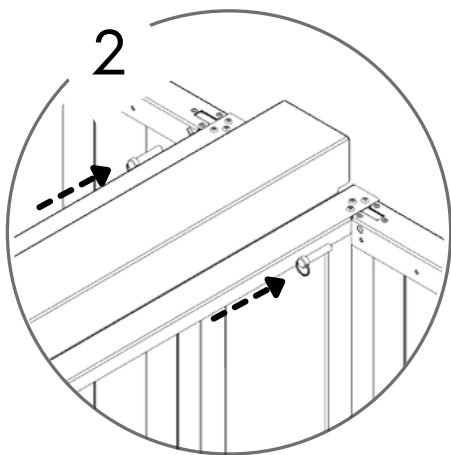
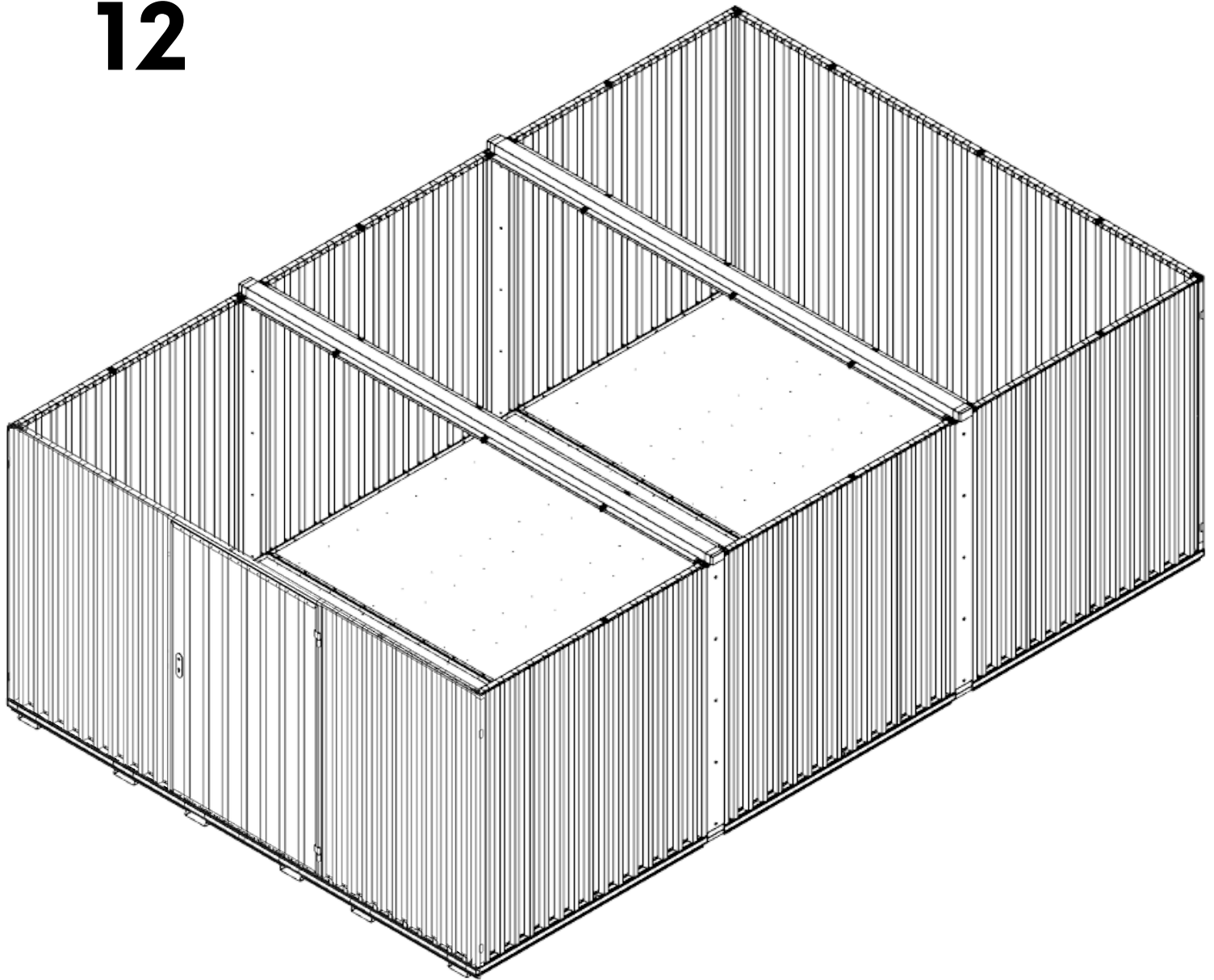
10











11

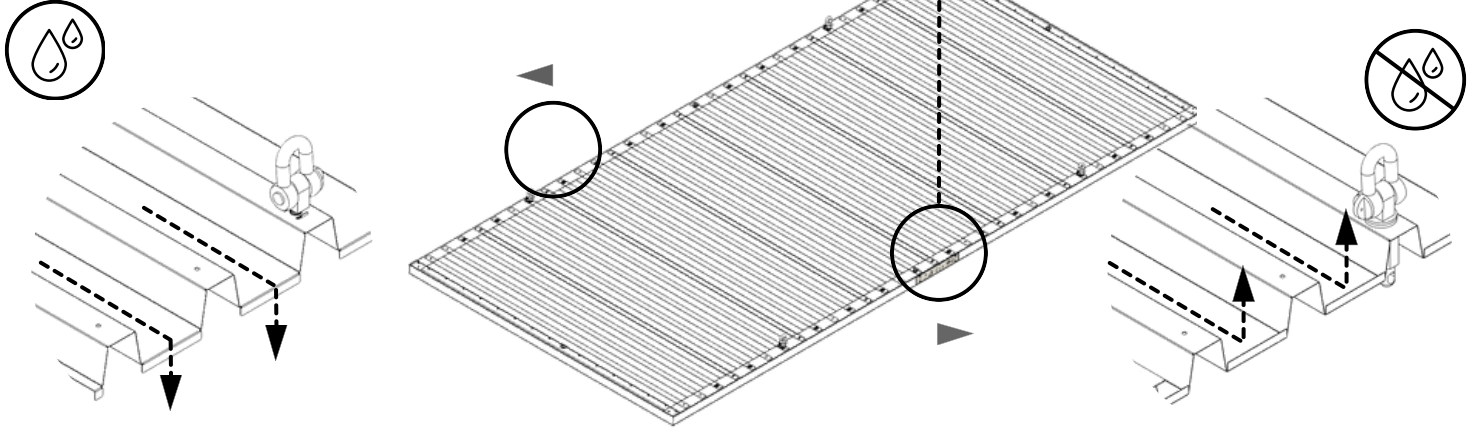


12

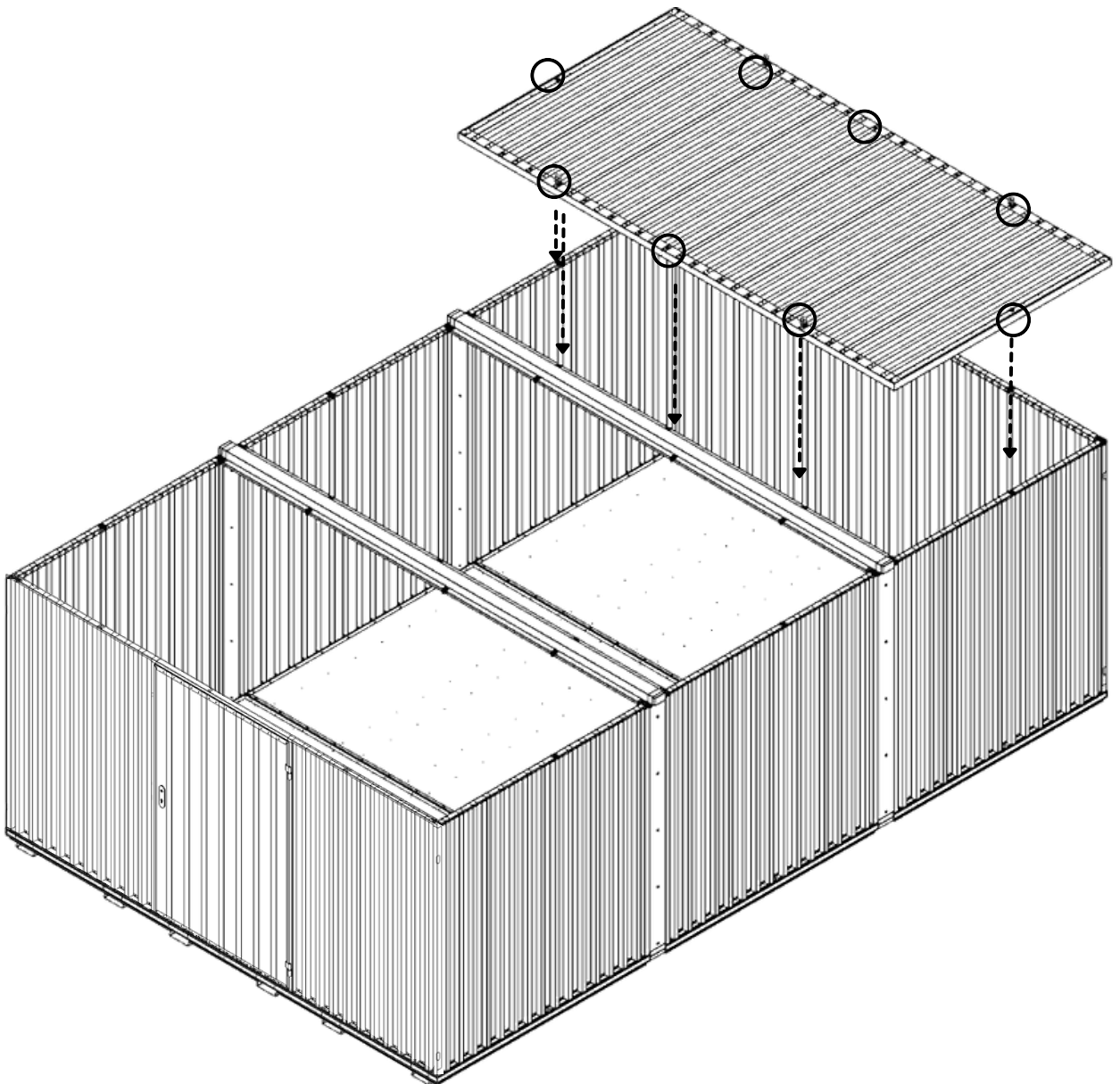




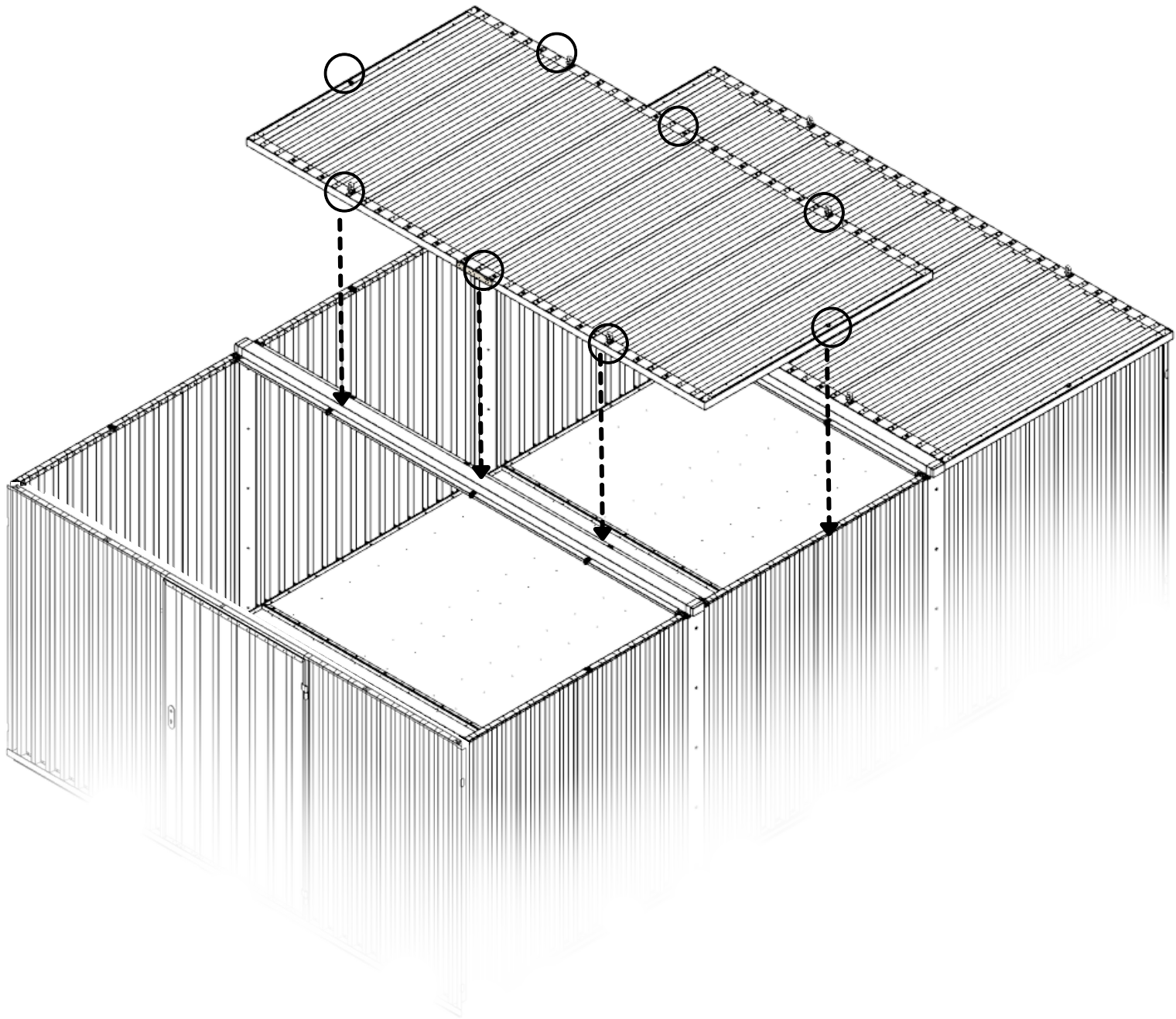
 1086 KG	 1640 MM	Model Code: 4044.110.420 Production Tracking Code:/X09.1.4044.420  9001  14001  50001	 	
--	--	---	---	---



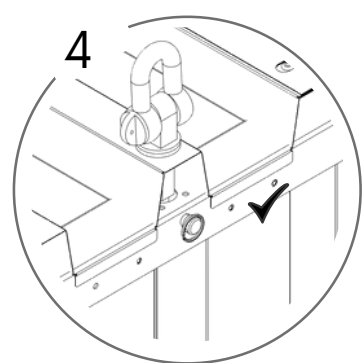
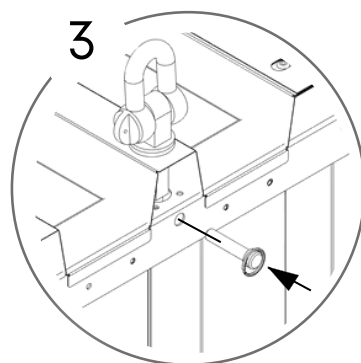
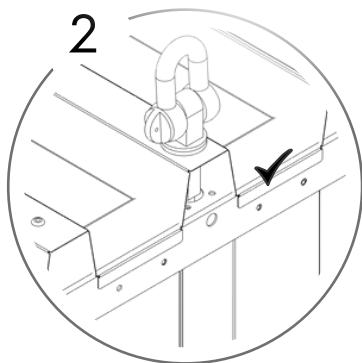
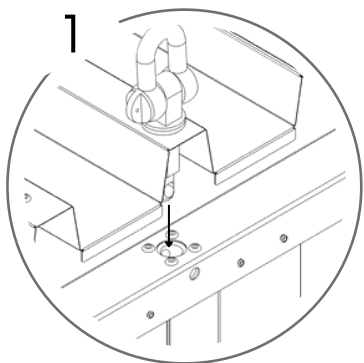
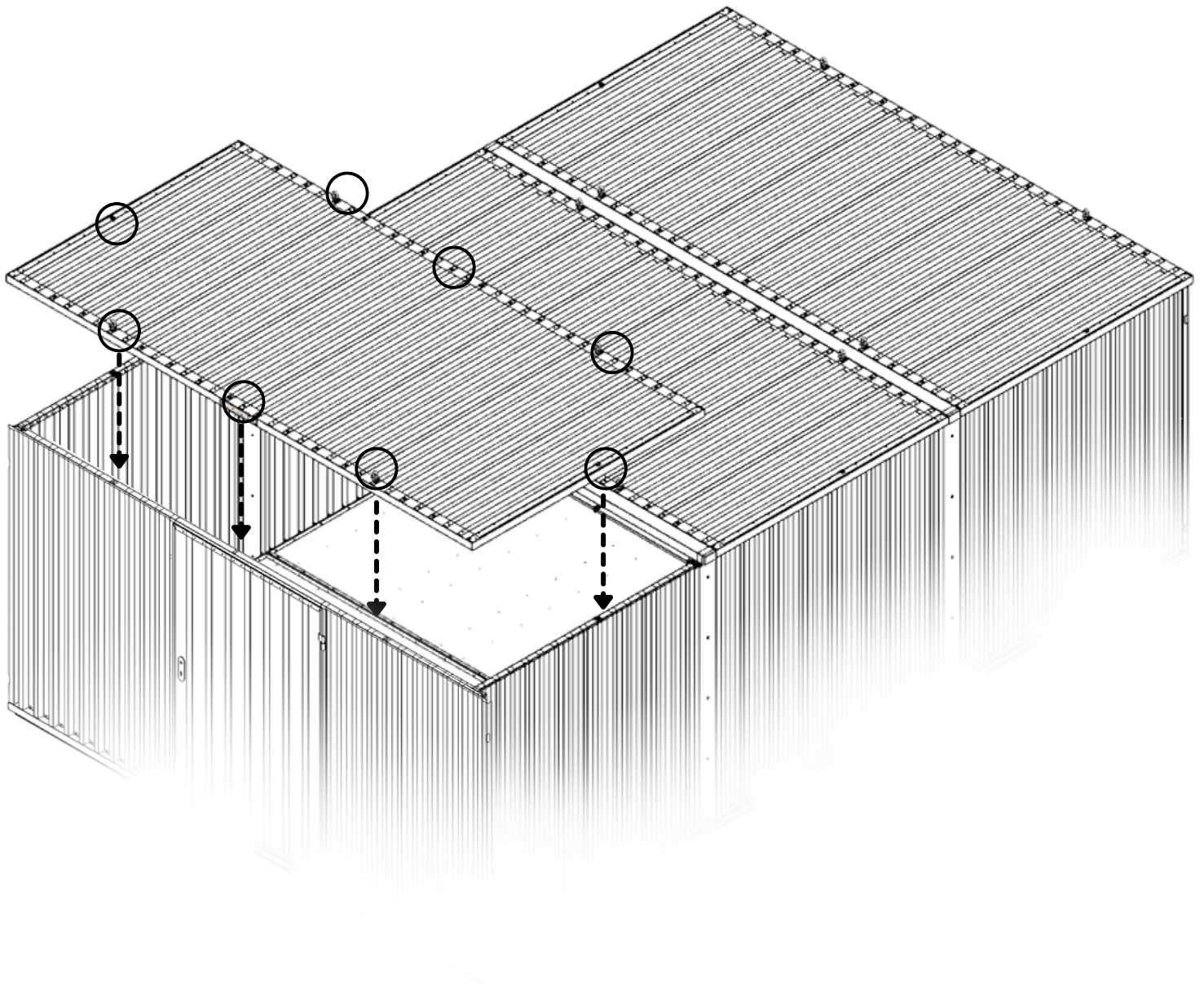
13



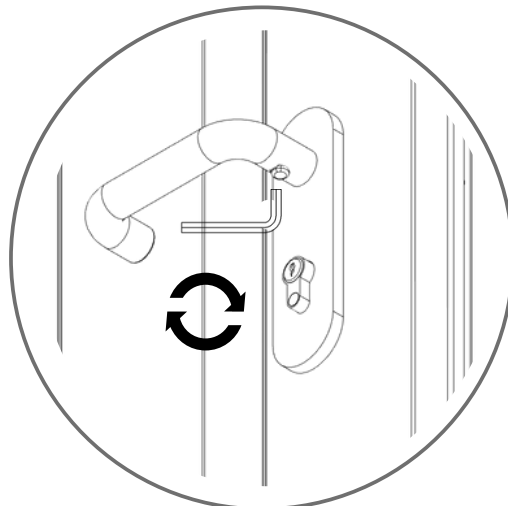
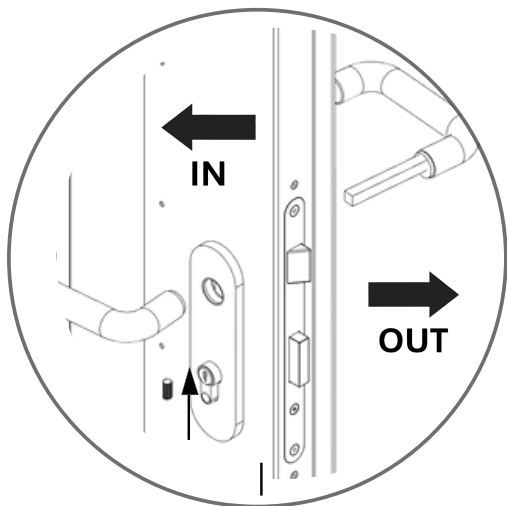
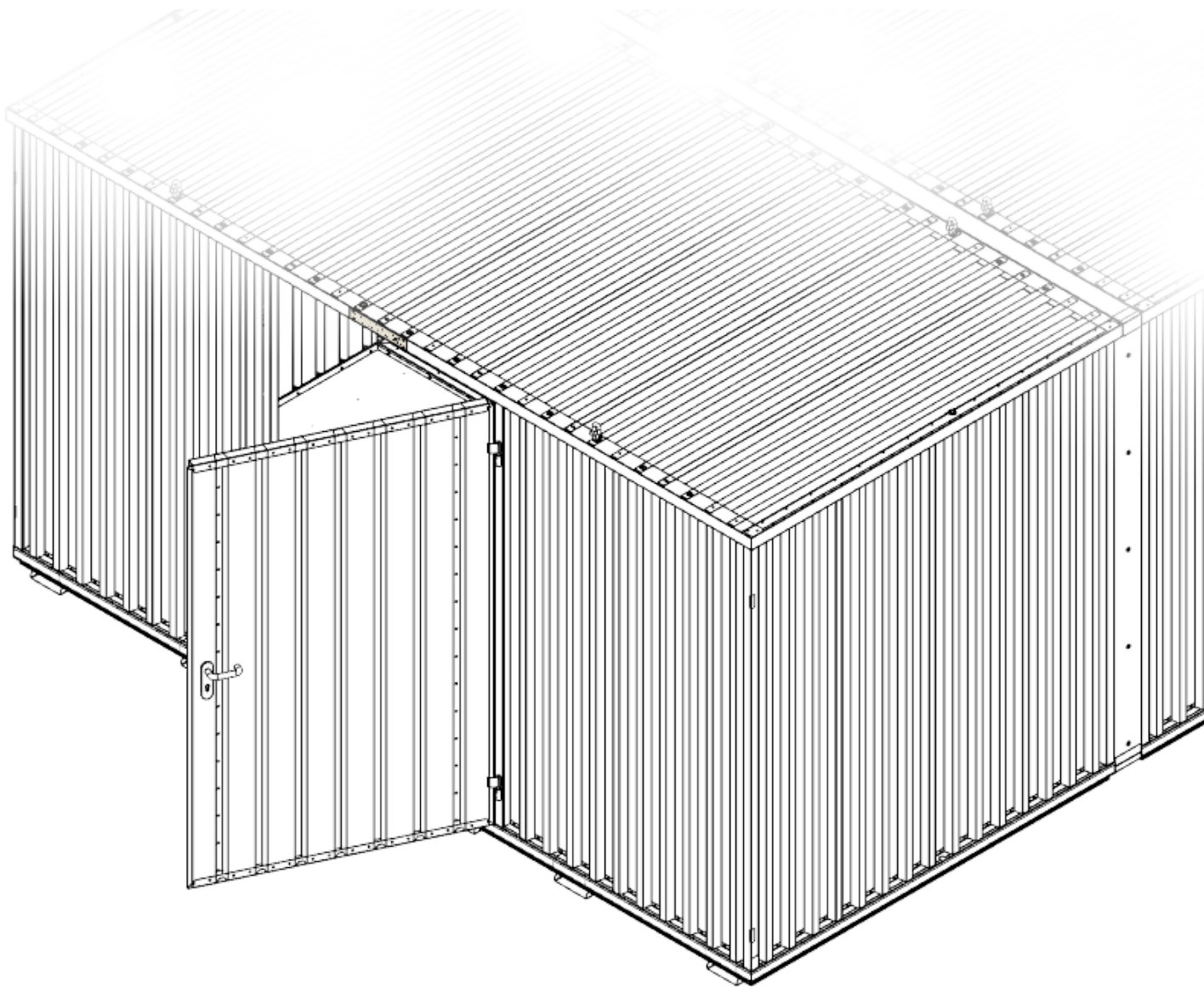
14



15



16



17

